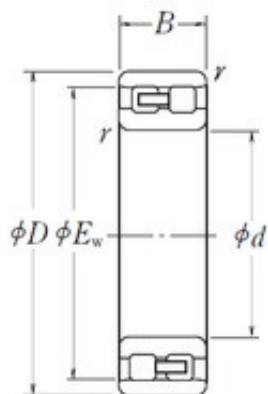


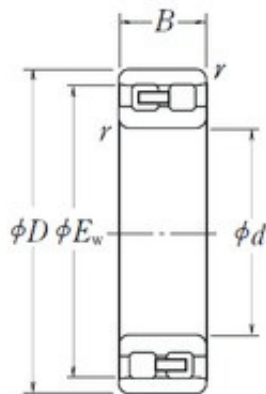
Bearing No. NN3020-AS-K-M-SP

| | |
|--------------------|--|
| E | 137 mm |
| d | 100 mm |
| D | 150 mm |
| B | 37 mm |
| m | 2,23 kg / Weight |
| s | 2,5 mm / Axial displacement facility from central position |
| Size (mm) | 100x150x37 |
| Width (mm) | 37 |
| ds Cr | 3,2 mm |
| | 146000 N / Dynamic load rating (radial) |
| d1 | 119,4 mm |
| ns | 6,5 mm |
| C0r | 245000 N / Static load rating (radial) |
| Bearing number | NN3020-AS-K-M-SP |
| Cur | 38000 N / Fatigue limit load, radial |
| rmin | 1,5 mm |
| nG OI | 6300 1/min / Limiting speed for minimal quantity oil lubrication |
| da min | 108 mm |
| ra max | 1,5 mm |
| Db min | 139 mm |
| Da max | 142 mm |
| Bore Diameter (mm) | 100 |
| nG Fett | 5300 1/min / Limiting speed for grease |



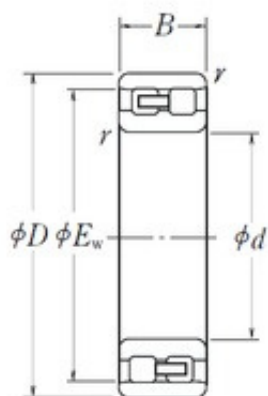
Bearing No. NN 3034

| | |
|-------------------------------|-------------|
| D | 260 mm |
| d | 170 mm |
| B | 67 mm |
| C | 67 mm |
| Ew | 236 mm |
| r min. | 2,1 mm |
| Weight | 12,8 Kg |
| Size (mm) | 170x236x67 |
| Width (mm) | 67 |
| Bearing number | NN 3034 |
| Bore Diameter (mm) | 170 |
| Outer Diameter (mm) | 236 |
| (Grease) Lubrication Speed | 2 200 r/min |
| Basic dynamic load rating (C) | 450 kN |
| Basic static load rating (C0) | 805 kN |



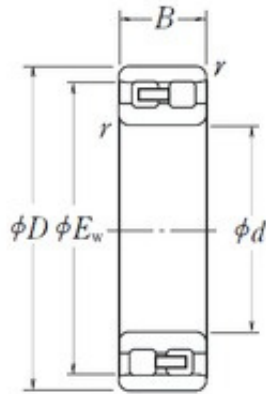
Bearing No. NN 3032

| | |
|-------------------------------|-------------|
| D | 240 mm |
| d | 160 mm |
| B | 60 mm |
| C | 60 mm |
| Ew | 219 mm |
| r min. | 2,1 mm |
| Weight | 9,41 Kg |
| Size (mm) | 160x219x60 |
| Width (mm) | 60 |
| Bearing number | NN 3032 |
| Bore Diameter (mm) | 160 |
| Outer Diameter (mm) | 219 |
| (Grease) Lubrication Speed | 2 400 r/min |
| Basic dynamic load rating (C) | 375 kN |
| Basic static load rating (C0) | 660 kN |



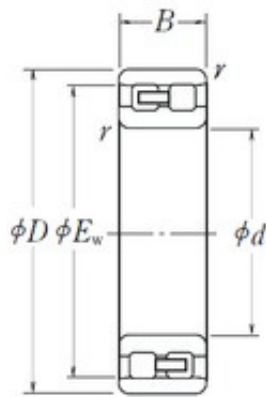
Bearing No. NN 3030

| | |
|-------------------------------|-------------|
| D | 225 mm |
| d | 150 mm |
| B | 56 mm |
| C | 56 mm |
| Ew | 206 mm |
| r min. | 2,1 mm |
| Weight | 7,77 Kg |
| Size (mm) | 150x206x56 |
| Width (mm) | 56 |
| Bearing number | NN 3030 |
| Bore Diameter (mm) | 150 |
| Outer Diameter (mm) | 206 |
| (Grease) Lubrication Speed | 2 600 r/min |
| Basic dynamic load rating (C) | 335 kN |
| Basic static load rating (C0) | 585 kN |



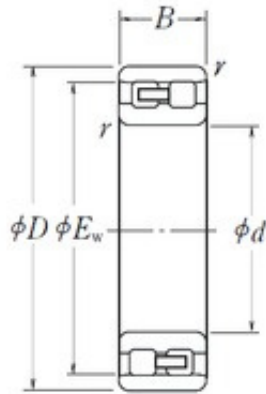
Bearing No. NN 3028

| | |
|-------------------------------|-------------|
| D | 210 mm |
| d | 140 mm |
| B | 53 mm |
| C | 53 mm |
| Ew | 192 mm |
| r min. | 2 mm |
| Weight | 6,34 Kg |
| Size (mm) | 140x192x53 |
| Width (mm) | 53 |
| Bearing number | NN 3028 |
| Bore Diameter (mm) | 140 |
| Outer Diameter (mm) | 192 |
| (Grease) Lubrication Speed | 2 800 r/min |
| Basic dynamic load rating (C) | 298 kN |
| Basic static load rating (C0) | 515 kN |



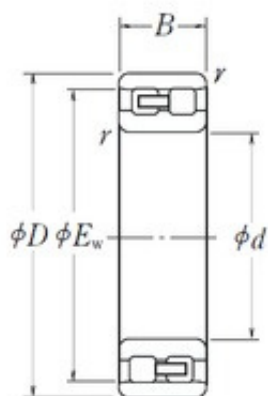
Bearing No. NN 3026

| | |
|-------------------------------|-------------|
| D | 200 mm |
| d | 130 mm |
| B | 52 mm |
| C | 52 mm |
| Ew | 182 mm |
| r min. | 2 mm |
| Weight | 5,88 Kg |
| Size (mm) | 130x182x52 |
| Width (mm) | 52 |
| Bearing number | NN 3026 |
| Bore Diameter (mm) | 130 |
| Outer Diameter (mm) | 182 |
| (Grease) Lubrication Speed | 3 000 r/min |
| Basic dynamic load rating (C) | 284 kN |
| Basic static load rating (C0) | 475 kN |



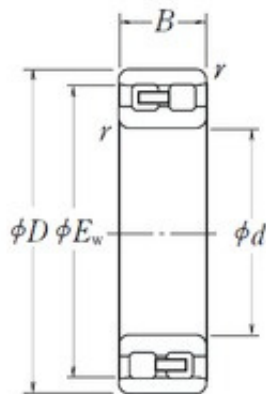
Bearing No. NN 3024

| | |
|-------------------------------|-------------|
| D | 180 mm |
| d | 120 mm |
| B | 46 mm |
| C | 46 mm |
| Ew | 165 mm |
| r min. | 2 mm |
| Weight | 4,04 Kg |
| Size (mm) | 120x165x46 |
| Width (mm) | 46 |
| Bearing number | NN 3024 |
| Bore Diameter (mm) | 120 |
| Outer Diameter (mm) | 165 |
| (Grease) Lubrication Speed | 3 200 r/min |
| Basic dynamic load rating (C) | 239 kN |
| Basic static load rating (C0) | 405 kN |



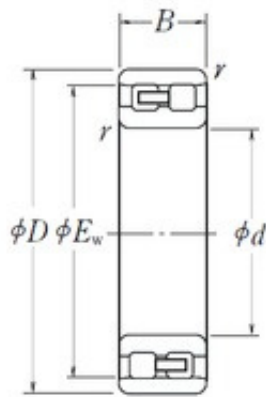
Bearing No. NN 3021

| | |
|-------------------------------|-------------|
| D | 160 mm |
| d | 105 mm |
| B | 41 mm |
| C | 41 mm |
| Ew | 146 mm |
| r min. | 2 mm |
| Weight | 2,88 Kg |
| Size (mm) | 105x146x41 |
| Width (mm) | 41 |
| Bearing number | NN 3021 |
| Bore Diameter (mm) | 105 |
| Outer Diameter (mm) | 146 |
| (Grease) Lubrication Speed | 3 800 r/min |
| Basic dynamic load rating (C) | 198 kN |
| Basic static load rating (C0) | 320 kN |



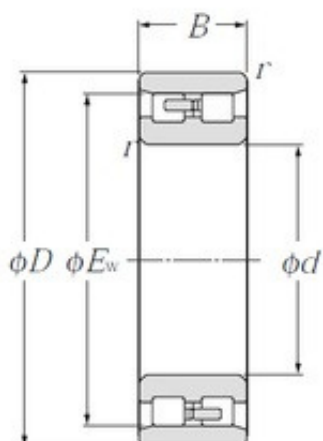
Bearing No. NN 3019

| | |
|-------------------------------|-------------|
| D | 145 mm |
| d | 95 mm |
| B | 37 mm |
| C | 37 mm |
| Ew | 132 mm |
| r min. | 1,5 mm |
| Weight | 2,19 Kg |
| Size (mm) | 95x132x37 |
| Width (mm) | 37 |
| Bearing number | NN 3019 |
| Bore Diameter (mm) | 95 |
| Outer Diameter (mm) | 132 |
| (Grease) Lubrication Speed | 4 000 r/min |
| Basic dynamic load rating (C) | 150 kN |
| Basic static load rating (C0) | 246 kN |



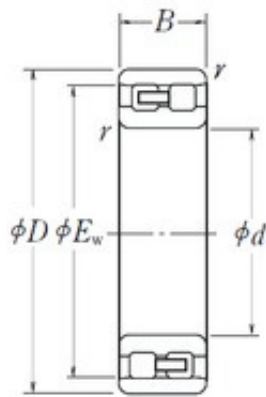
Bearing No. NN 3018

| | |
|-------------------------------|-------------|
| D | 140 mm |
| d | 90 mm |
| B | 37 mm |
| C | 37 mm |
| Ew | 127 mm |
| r min. | 1,5 mm |
| Weight | 2,09 Kg |
| Size (mm) | 90x127x37 |
| Width (mm) | 37 |
| Bearing number | NN 3018 |
| Bore Diameter (mm) | 90 |
| Outer Diameter (mm) | 127 |
| (Grease) Lubrication Speed | 4 300 r/min |
| Basic dynamic load rating (C) | 143 kN |
| Basic static load rating (C0) | 228 kN |



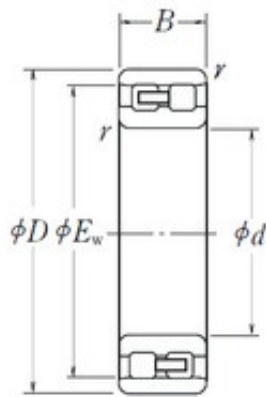
Bearing No. NN3076

| | |
|-------------------------------|-------------|
| D | 560 mm |
| d | 380 mm |
| B | 135 mm |
| C | 135 mm |
| Ew | 512 mm |
| r min. | 5 mm |
| Weight | 113 Kg |
| Size (mm) | 380x512x135 |
| Width (mm) | 135 |
| Bearing number | NN3076 |
| Bore Diameter (mm) | 380 |
| Outer Diameter (mm) | 512 |
| (Grease) Lubrication Speed | 940 r/min |
| Basic dynamic load rating (C) | 1 690 kN |
| Basic static load rating (C0) | 3 450 kN |



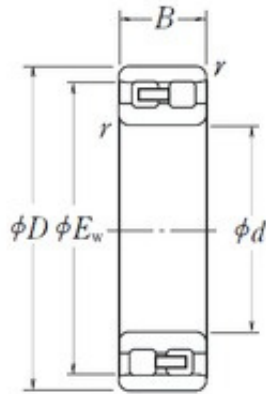
Bearing No. NN 3068

| | |
|-------------------------------|-------------|
| D | 520 mm |
| d | 340 mm |
| B | 133 mm |
| C | 133 mm |
| Ew | 473 mm |
| r min. | 5 mm |
| Weight | 102 Kg |
| Size (mm) | 340x473x133 |
| Width (mm) | 133 |
| Bearing number | NN 3068 |
| Bore Diameter (mm) | 340 |
| Outer Diameter (mm) | 473 |
| (Grease) Lubrication Speed | 1 000 r/min |
| Basic dynamic load rating (C) | 1670 kN |
| Basic static load rating (C0) | 3300 kN |



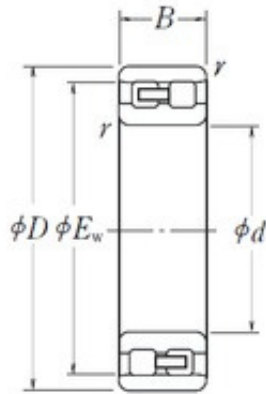
Bearing No. NN 3052

| | |
|-------------------------------|-------------|
| D | 400 mm |
| d | 260 mm |
| B | 104 mm |
| C | 104 mm |
| Ew | 364 mm |
| r min. | 4 mm |
| Weight | 47,7 Kg |
| Size (mm) | 260x364x104 |
| Width (mm) | 104 |
| Bearing number | NN 3052 |
| Bore Diameter (mm) | 260 |
| Outer Diameter (mm) | 364 |
| (Grease) Lubrication Speed | 1 400 r/min |
| Basic dynamic load rating (C) | 36,555 kN |
| Basic static load rating (C0) | 1920 kN |



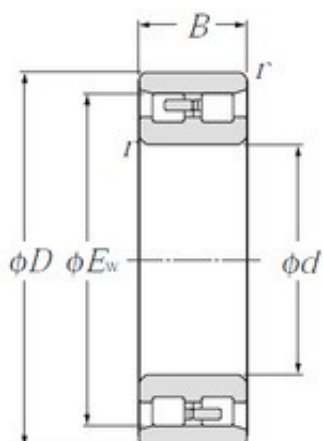
Bearing No. NN 3022

| | |
|-------------------------------|-------------|
| D | 170 mm |
| d | 110 mm |
| B | 45 mm |
| C | 45 mm |
| Ew | 155 mm |
| r min. | 2 mm |
| Weight | 3,71 Kg |
| Size (mm) | 110x155x45 |
| Width (mm) | 45 |
| Bearing number | NN 3022 |
| Bore Diameter (mm) | 110 |
| Outer Diameter (mm) | 155 |
| (Grease) Lubrication Speed | 3 400 r/min |
| Basic dynamic load rating (C) | 229 kN |
| Basic static load rating (C0) | 375 kN |



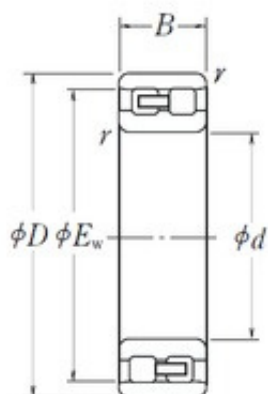
Bearing No. NN 3018

| | |
|-------------------------------|-------------|
| D | 140 mm |
| d | 90 mm |
| B | 37 mm |
| C | 37 mm |
| Ew | 127 mm |
| r min. | 1,5 mm |
| Weight | 2,09 Kg |
| Size (mm) | 90x127x37 |
| Width (mm) | 37 |
| Bearing number | NN 3018 |
| Bore Diameter (mm) | 90 |
| Outer Diameter (mm) | 127 |
| (Grease) Lubrication Speed | 4 300 r/min |
| Basic dynamic load rating (C) | 143 kN |
| Basic static load rating (C0) | 228 kN |



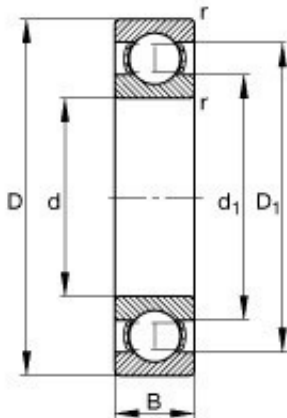
Bearing No. NN3076

| | |
|-------------------------------|-------------|
| D | 560 mm |
| d | 380 mm |
| B | 135 mm |
| C | 135 mm |
| Ew | 512 mm |
| r min. | 5 mm |
| Weight | 113 Kg |
| Size (mm) | 380x512x135 |
| Width (mm) | 135 |
| Bearing number | NN3076 |
| Bore Diameter (mm) | 380 |
| Outer Diameter (mm) | 512 |
| (Grease) Lubrication Speed | 940 r/min |
| Basic dynamic load rating (C) | 1 690 kN |
| Basic static load rating (C0) | 3 450 kN |



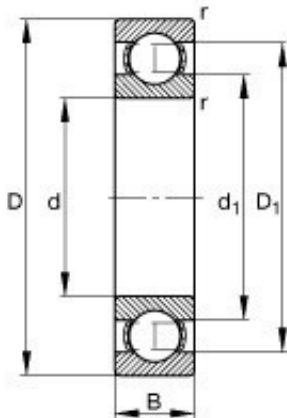
Bearing No. NN 3068

| | |
|-------------------------------|-------------|
| D | 520 mm |
| d | 340 mm |
| B | 133 mm |
| C | 133 mm |
| Ew | 473 mm |
| r min. | 5 mm |
| Weight | 102 Kg |
| Size (mm) | 340x473x133 |
| Width (mm) | 133 |
| Bearing number | NN 3068 |
| Bore Diameter (mm) | 340 |
| Outer Diameter (mm) | 473 |
| (Grease) Lubrication Speed | 1 000 r/min |
| Basic dynamic load rating (C) | 1670 kN |
| Basic static load rating (C0) | 3300 kN |



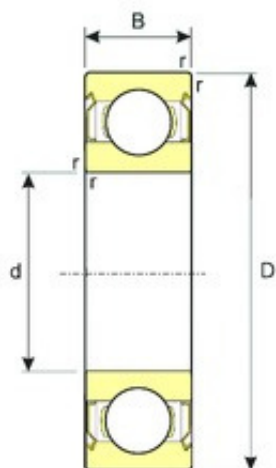
Bearing No. 6214

| | |
|---------------------|--|
| m | 1,09 kg / Weight |
| d | 70 mm |
| D | 125 mm |
| B | 24 mm |
| Size (mm) | 70x125x24 |
| Width (mm) | 24 |
| d1 | 87,1 mm |
| nB | 6100 1/min / Reference speed |
| nG | 8200 1/min / Limiting speed |
| D1 | 108 mm |
| Cr | 66000 N / Dynamic load rating (radial) |
| C0r | 44000 N / Static load rating (radial) |
| Bearing number | 6214 |
| Cur | 2950 N / Fatigue limit load, radial |
| rmin | 1,5 mm |
| ra max | 1,5 mm |
| da min | 79 mm |
| Da max | 116 mm |
| Bore Diameter (mm) | 70 |
| Outer Diameter (mm) | 125 |



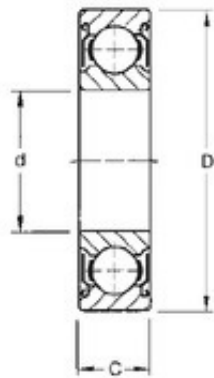
Bearing No. 6213

| | |
|---------------------|--|
| m | 1 kg / Weight |
| d | 65 mm |
| D | 120 mm |
| B | 23 mm |
| Size (mm) | 65x120x23 |
| Width (mm) | 23 |
| d1 | 82,3 mm |
| nB | 6300 1/min / Reference speed |
| nG | 8600 1/min / Limiting speed |
| D1 | 103,1 mm |
| Cr | 63000 N / Dynamic load rating (radial) |
| C0r | 41500 N / Static load rating (radial) |
| Bearing number | 6213 |
| Cur | 2750 N / Fatigue limit load, radial |
| rmin | 1,5 mm |
| ra max | 1,5 mm |
| da min | 74 mm |
| Da max | 111 mm |
| Bore Diameter (mm) | 65 |
| Outer Diameter (mm) | 120 |



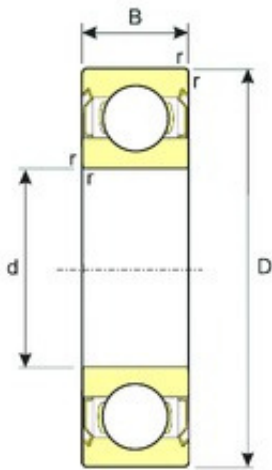
Bearing No. 6212-ZZ

| | |
|-------------------------------|-----------|
| D | 110 mm |
| d | 60 mm |
| B | 22 mm |
| C | 22 mm |
| Weight | 0,78 Kg |
| Size (mm) | 60x110x22 |
| Width (mm) | 22 |
| Bearing number | 6212-ZZ |
| Bore Diameter (mm) | 60 |
| Outer Diameter (mm) | 110 |
| Basic dynamic load rating (C) | 54,2 kN |
| Basic static load rating (C0) | 35,28 kN |



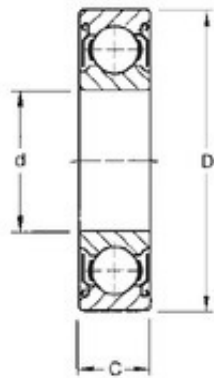
Bearing No. 6210-ZZ

| | |
|-------------------------------|----------|
| D | 90 mm |
| d | 50 mm |
| B | 20 mm |
| C | 20 mm |
| r min. | 1,1 mm |
| Weight | 0,47 Kg |
| Size (mm) | 50x90x20 |
| Width (mm) | 20 |
| Bearing number | 6210-ZZ |
| Bore Diameter (mm) | 50 |
| Outer Diameter (mm) | 90 |
| Basic dynamic load rating (C) | 35 kN |
| Basic static load rating (C0) | 23,2 kN |



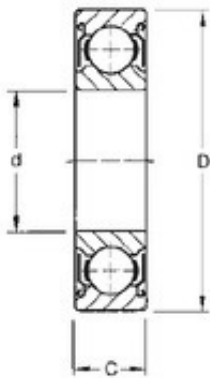
Bearing No. 6211-ZZ

| | |
|-------------------------------|-----------|
| D | 100 mm |
| d | 55 mm |
| B | 21 mm |
| C | 21 mm |
| Weight | 0,61 Kg |
| Size (mm) | 55x100x21 |
| Width (mm) | 21 |
| Bearing number | 6211-ZZ |
| Bore Diameter (mm) | 55 |
| Outer Diameter (mm) | 100 |
| Basic dynamic load rating (C) | 45,28 kN |
| Basic static load rating (C0) | 28,42 kN |



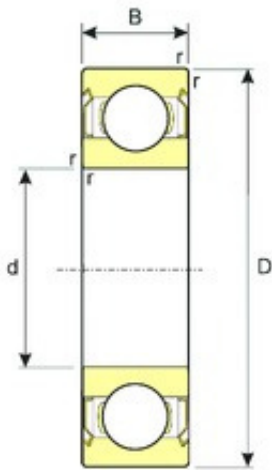
Bearing No. 6208-ZZ

| | |
|-------------------------------|----------|
| D | 80 mm |
| d | 40 mm |
| B | 18 mm |
| C | 18 mm |
| r min. | 1,1 mm |
| Weight | 0,36 Kg |
| Size (mm) | 40x80x18 |
| Width (mm) | 18 |
| Bearing number | 6208-ZZ |
| Bore Diameter (mm) | 40 |
| Outer Diameter (mm) | 80 |
| Basic dynamic load rating (C) | 29,5 kN |
| Basic static load rating (C0) | 18 kN |



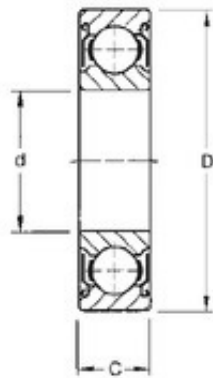
Bearing No. 6209-ZZ

| | |
|-------------------------------|----------|
| D | 85 mm |
| d | 45 mm |
| B | 19 mm |
| C | 19 mm |
| r min. | 1,1 mm |
| Weight | 0,42 Kg |
| Size (mm) | 45x85x19 |
| Width (mm) | 19 |
| Bearing number | 6209-ZZ |
| Bore Diameter (mm) | 45 |
| Outer Diameter (mm) | 85 |
| Basic dynamic load rating (C) | 31,5 kN |
| Basic static load rating (C0) | 20,5 kN |



Bearing No. 6207-ZZ

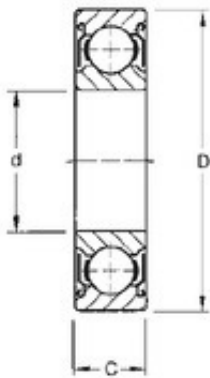
| | |
|-------------------------------|----------|
| D | 72 mm |
| d | 35 mm |
| B | 17 mm |
| C | 17 mm |
| Weight | 0,29 Kg |
| Size (mm) | 35x72x17 |
| Width (mm) | 17 |
| Bearing number | 6207-ZZ |
| Bore Diameter (mm) | 35 |
| Outer Diameter (mm) | 72 |
| Basic dynamic load rating (C) | 26,46 kN |
| Basic static load rating (C0) | 15 kN |



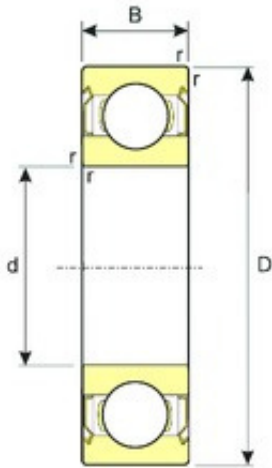
Bearing No. 6206-ZZ

| | |
|-------------------------------|----------|
| D | 62 mm |
| d | 30 mm |
| B | 16 mm |
| C | 16 mm |
| r min. | 1 mm |
| Weight | 0,2 Kg |
| Size (mm) | 30x62x16 |
| Width (mm) | 16 |
| Bearing number | 6206-ZZ |
| Bore Diameter (mm) | 30 |
| Outer Diameter (mm) | 62 |
| Basic dynamic load rating (C) | 19,46 kN |
| Basic static load rating (C0) | 11,31 kN |

Bearing No. 6205-ZZ



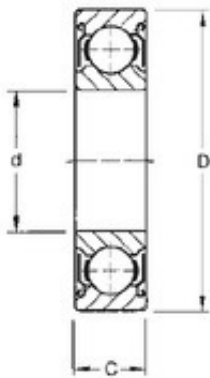
| | |
|-------------------------------|----------|
| D | 52 mm |
| d | 25 mm |
| B | 15 mm |
| C | 15 mm |
| r min. | 1 mm |
| Weight | 0,12 Kg |
| Size (mm) | 25x52x15 |
| Width (mm) | 15 |
| Bearing number | 6205-ZZ |
| Bore Diameter (mm) | 25 |
| Outer Diameter (mm) | 52 |
| Basic dynamic load rating (C) | 14 kN |
| Basic static load rating (C0) | 7,88 kN |



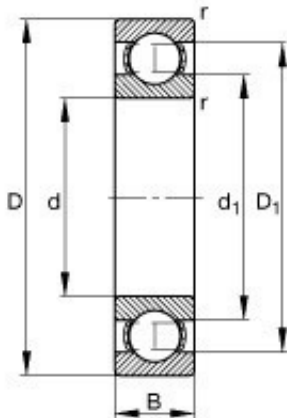
Bearing No. 6204-ZZ

| | |
|-------------------------------|----------|
| D | 47 mm |
| d | 20 mm |
| B | 14 mm |
| C | 14 mm |
| Weight | 0,11 Kg |
| Size (mm) | 20x47x14 |
| Width (mm) | 14 |
| Bearing number | 6204-ZZ |
| Bore Diameter (mm) | 20 |
| Outer Diameter (mm) | 47 |
| Basic dynamic load rating (C) | 13,23 kN |
| Basic static load rating (C0) | 6,42 kN |

Bearing No. 6203-ZZ

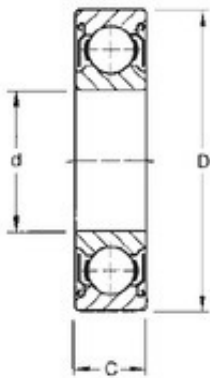


| | |
|-------------------------------|----------|
| D | 40 mm |
| d | 17 mm |
| B | 12 mm |
| C | 12 mm |
| r min. | 0,6 mm |
| Weight | 0,06 Kg |
| Size (mm) | 17x40x12 |
| Width (mm) | 12 |
| Bearing number | 6203-ZZ |
| Bore Diameter (mm) | 17 |
| Outer Diameter (mm) | 40 |
| Basic dynamic load rating (C) | 9,57 kN |
| Basic static load rating (C0) | 4,79 kN |



Bearing No. 6315

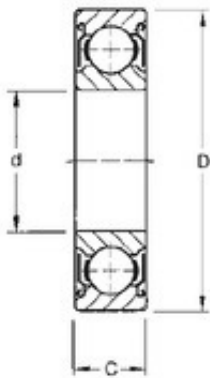
| | |
|---------------------|---|
| m | 3,18 kg / Weight |
| d | 75 mm |
| D | 160 mm |
| B | 37 mm |
| Size (mm) | 75x160x37 |
| Width (mm) | 37 |
| d1 | 101,8 mm |
| nB | 5800 1/min / Reference speed |
| nG | 6300 1/min / Limiting speed |
| D1 | 133,2 mm |
| Cr | 123000 N / Dynamic load rating (radial) |
| C0r | 77000 N / Static load rating (radial) |
| Bearing number | 6315 |
| Cur | 4750 N / Fatigue limit load, radial |
| rmin | 2,1 mm |
| ra max | 2,1 mm |
| da min | 87 mm |
| Da max | 148 mm |
| Bore Diameter (mm) | 75 |
| Outer Diameter (mm) | 160 |



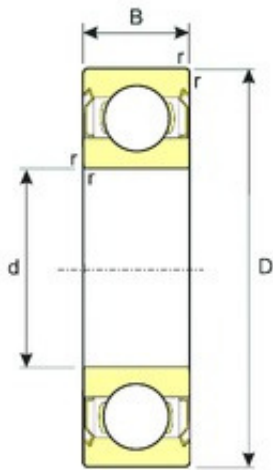
Bearing No. 6313-ZZ

| | |
|-------------------------------|-----------|
| D | 140 mm |
| d | 65 mm |
| B | 33 mm |
| C | 33 mm |
| r min. | 2,1 mm |
| Weight | 2,11 Kg |
| Size (mm) | 65x140x33 |
| Width (mm) | 33 |
| Bearing number | 6313-ZZ |
| Bore Diameter (mm) | 65 |
| Outer Diameter (mm) | 140 |
| Basic dynamic load rating (C) | 92,5 kN |
| Basic static load rating (C0) | 60 kN |

Bearing No. 6314-ZZ



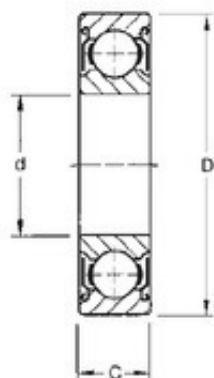
| | |
|-------------------------------|-----------|
| D | 150 mm |
| d | 70 mm |
| B | 35 mm |
| C | 35 mm |
| r min. | 2,1 mm |
| Weight | 2,57 Kg |
| Size (mm) | 70x150x35 |
| Width (mm) | 35 |
| Bearing number | 6314-ZZ |
| Bore Diameter (mm) | 70 |
| Outer Diameter (mm) | 150 |
| Basic dynamic load rating (C) | 104 kN |
| Basic static load rating (C0) | 68 kN |



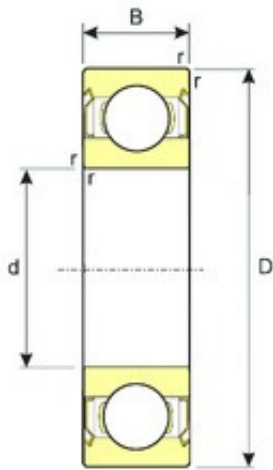
Bearing No. 6312-ZZ

| | |
|-------------------------------|-----------|
| D | 130 mm |
| d | 60 mm |
| B | 31 mm |
| C | 31 mm |
| Weight | 1,7 Kg |
| Size (mm) | 60x130x31 |
| Width (mm) | 31 |
| Bearing number | 6312-ZZ |
| Bore Diameter (mm) | 60 |
| Outer Diameter (mm) | 130 |
| Basic dynamic load rating (C) | 83,5 kN |
| Basic static load rating (C0) | 50,96 kN |

Bearing No. 6311-ZZ

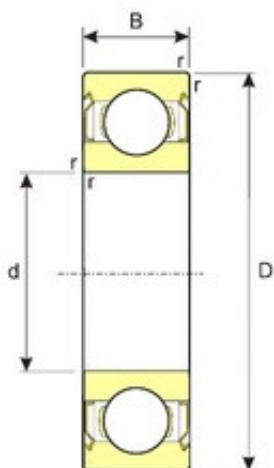


| | |
|-------------------------------|-----------|
| D | 120 mm |
| d | 55 mm |
| B | 29 mm |
| C | 29 mm |
| r min. | 2 mm |
| Weight | 1,37 Kg |
| Size (mm) | 55x120x29 |
| Width (mm) | 29 |
| Bearing number | 6311-ZZ |
| Bore Diameter (mm) | 55 |
| Outer Diameter (mm) | 120 |
| Basic dynamic load rating (C) | 71,5 kN |
| Basic static load rating (C0) | 44,8 kN |



Bearing No. 6310-ZZ

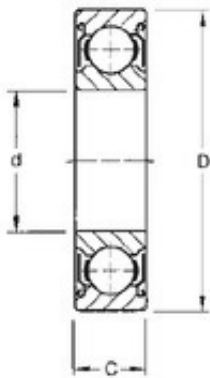
| | |
|-------------------------------|-----------|
| D | 110 mm |
| d | 50 mm |
| B | 27 mm |
| C | 27 mm |
| Weight | 1,05 Kg |
| Size (mm) | 50x110x27 |
| Width (mm) | 27 |
| Bearing number | 6310-ZZ |
| Bore Diameter (mm) | 50 |
| Outer Diameter (mm) | 110 |
| Basic dynamic load rating (C) | 63,7 kN |
| Basic static load rating (C0) | 37,24 kN |



Bearing No. 6309-ZZ

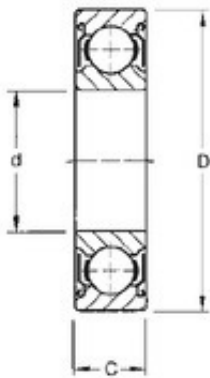
| | |
|-------------------------------|-----------|
| D | 100 mm |
| d | 45 mm |
| B | 25 mm |
| C | 25 mm |
| Weight | 0,83 Kg |
| Size (mm) | 45x100x25 |
| Width (mm) | 25 |
| Bearing number | 6309-ZZ |
| Bore Diameter (mm) | 45 |
| Outer Diameter (mm) | 100 |
| Basic dynamic load rating (C) | 54,2 kN |
| Basic static load rating (C0) | 30,87 kN |

Bearing No. 6308-ZZ



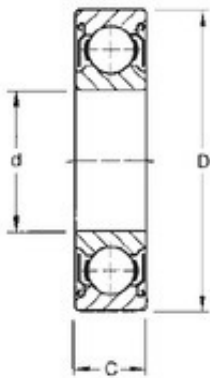
| | |
|-------------------------------|----------|
| D | 90 mm |
| d | 40 mm |
| B | 23 mm |
| C | 23 mm |
| r min. | 1,5 mm |
| Weight | 0,62 Kg |
| Size (mm) | 40x90x23 |
| Width (mm) | 23 |
| Bearing number | 6308-ZZ |
| Bore Diameter (mm) | 40 |
| Outer Diameter (mm) | 90 |
| Basic dynamic load rating (C) | 40,8 kN |
| Basic static load rating (C0) | 24 kN |

Bearing No. 6307-ZZ

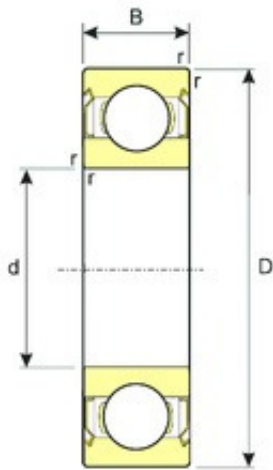


| | |
|-------------------------------|----------|
| D | 80 mm |
| d | 35 mm |
| B | 21 mm |
| C | 21 mm |
| r min. | 1,5 mm |
| Weight | 0,42 Kg |
| Size (mm) | 35x80x21 |
| Width (mm) | 21 |
| Bearing number | 6307-ZZ |
| Bore Diameter (mm) | 35 |
| Outer Diameter (mm) | 80 |
| Basic dynamic load rating (C) | 33,2 kN |
| Basic static load rating (C0) | 19,2 kN |

Bearing No. 6305-ZZ

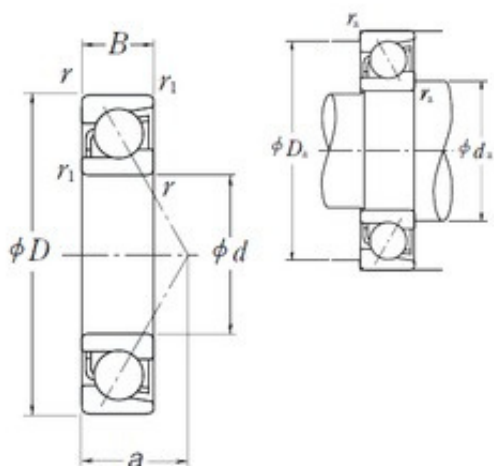


| | |
|-------------------------------|----------|
| D | 62 mm |
| d | 25 mm |
| B | 17 mm |
| C | 17 mm |
| r min. | 1,1 mm |
| Weight | 0,22 Kg |
| Size (mm) | 25x62x17 |
| Width (mm) | 17 |
| Bearing number | 6305-ZZ |
| Bore Diameter (mm) | 25 |
| Outer Diameter (mm) | 62 |
| Basic dynamic load rating (C) | 22,2 kN |
| Basic static load rating (C0) | 11,5 kN |



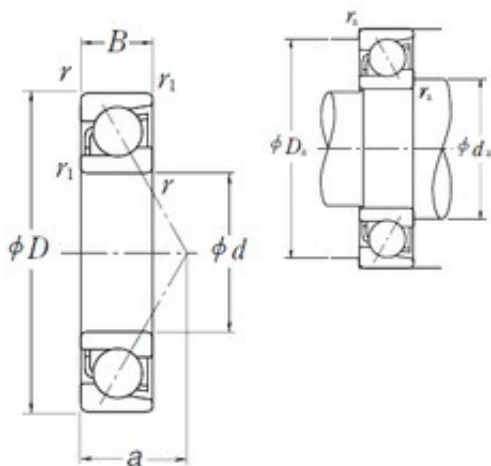
Bearing No. 6306-ZZ

| | |
|-------------------------------|----------|
| D | 72 mm |
| d | 30 mm |
| B | 19 mm |
| C | 19 mm |
| Weight | 0,35 Kg |
| Size (mm) | 30x72x19 |
| Width (mm) | 19 |
| Bearing number | 6306-ZZ |
| Bore Diameter (mm) | 30 |
| Outer Diameter (mm) | 72 |
| Basic dynamic load rating (C) | 29,01 kN |
| Basic static load rating (C0) | 15,68 kN |



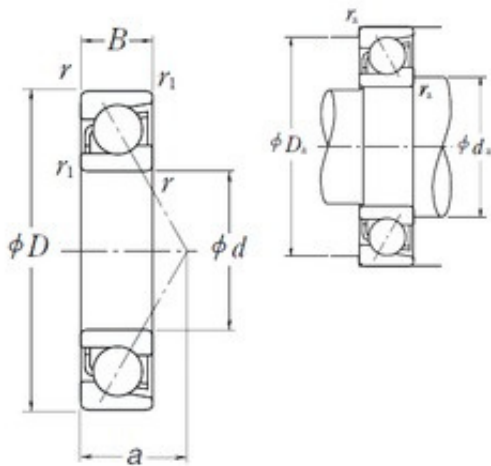
Bearing No. 7019 C

| | |
|-------------------------------|-------------|
| D | 145 mm |
| d | 95 mm |
| B | 24 mm |
| C | 24 mm |
| a | 28,1 mm |
| r min. | 1,5 mm |
| Weight | 1,42 Kg |
| Da max. | 136 mm |
| ra max. | 1,5 mm |
| r1 min. | 1 mm |
| da min. | 104 mm |
| Size (mm) | 95x145x24 |
| Width (mm) | 24 |
| Bearing number | 7019 C |
| Bore Diameter (mm) | 95 |
| Outer Diameter (mm) | 145 |
| (Oil) Lubrication Speed | 9 000 r/min |
| (Grease) Lubrication Speed | 6 700 r/min |
| Basic dynamic load rating (C) | 73,5 kN |
| Basic static load rating (C0) | 73 kN |



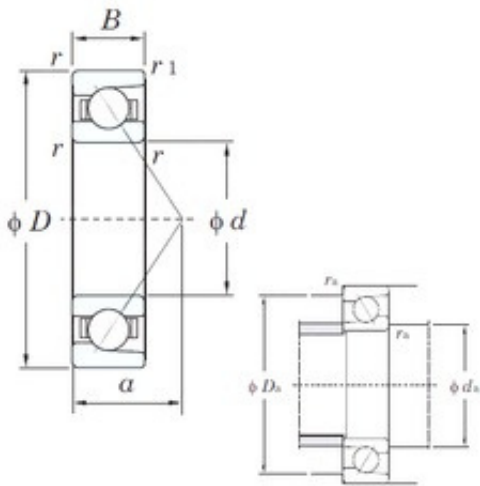
Bearing No. 7017 C

| | |
|-------------------------------|--------------|
| D | 130 mm |
| d | 85 mm |
| B | 22 mm |
| C | 22 mm |
| a | 25,4 mm |
| r min. | 1,1 mm |
| Weight | 1,01 Kg |
| Da max. | 123 mm |
| ra max. | 1 mm |
| r1 min. | 0,6 mm |
| da min. | 92 mm |
| Size (mm) | 85x130x22 |
| Width (mm) | 22 |
| Bearing number | 7017 C |
| Bore Diameter (mm) | 85 |
| Outer Diameter (mm) | 130 |
| (Oil) Lubrication Speed | 10 000 r/min |
| (Grease) Lubrication Speed | 7 500 r/min |
| Basic dynamic load rating (C) | 60 kN |
| Basic static load rating (C0) | 58,5 kN |



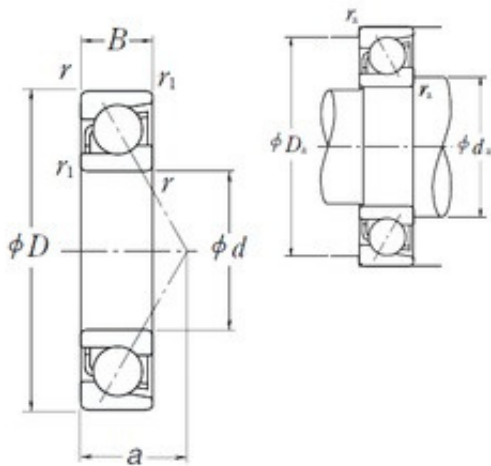
Bearing No. 7018 C

| | |
|-------------------------------|-------------|
| D | 140 mm |
| d | 90 mm |
| B | 24 mm |
| C | 24 mm |
| a | 27,4 mm |
| r min. | 1,5 mm |
| Weight | 1,34 Kg |
| Da max. | 131 mm |
| ra max. | 1,5 mm |
| r1 min. | 1 mm |
| da min. | 99 mm |
| Size (mm) | 90x140x24 |
| Width (mm) | 24 |
| Bearing number | 7018 C |
| Bore Diameter (mm) | 90 |
| Outer Diameter (mm) | 140 |
| (Oil) Lubrication Speed | 9 500 r/min |
| (Grease) Lubrication Speed | 7 100 r/min |
| Basic dynamic load rating (C) | 71,5 kN |
| Basic static load rating (C0) | 69 kN |



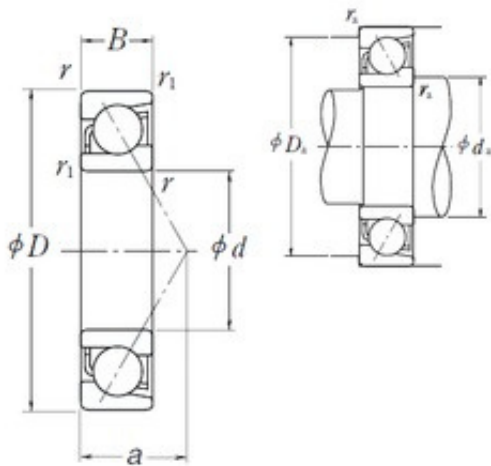
Bearing No. 7017C

| | |
|----------------------------|-------------|
| D | 130 mm |
| d | 85 mm |
| B | 22 mm |
| C | 22 mm |
| a | 25.5 mm |
| Weight | 0.970 Kg |
| r min. | 1.1 mm |
| Da max. | 123 mm |
| ra max. | 1 mm |
| r1 min. | 0.6 mm |
| da min. | 92 mm |
| Size (mm) | 85x130x22 |
| Width (mm) | 22 |
| Bearing number | 7017C |
| Angle (?) | 15 ° |
| Bore Diameter (mm) | 85 |
| Outer Diameter (mm) | 130 |
| (Oil) Lubrication Speed | 10000 r/min |
| (Grease) Lubrication Speed | 7600 r/min |



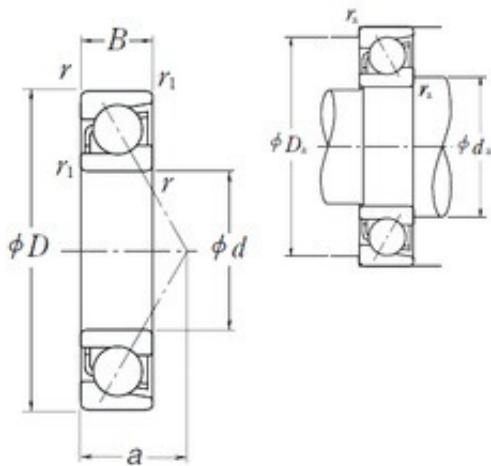
Bearing No. 7016 C

| | |
|-------------------------------|--------------|
| D | 125 mm |
| d | 80 mm |
| B | 22 mm |
| C | 22 mm |
| a | 24,7 mm |
| r min. | 1,1 mm |
| Weight | 0,966 Kg |
| Da max. | 118 mm |
| ra max. | 1 mm |
| r1 min. | 0,6 mm |
| da min. | 87 mm |
| Size (mm) | 80x125x22 |
| Width (mm) | 22 |
| Bearing number | 7016 C |
| Bore Diameter (mm) | 80 |
| Outer Diameter (mm) | 125 |
| (Oil) Lubrication Speed | 11 000 r/min |
| (Grease) Lubrication Speed | 8 000 r/min |
| Basic dynamic load rating (C) | 58,5 kN |
| Basic static load rating (C0) | 55,5 kN |



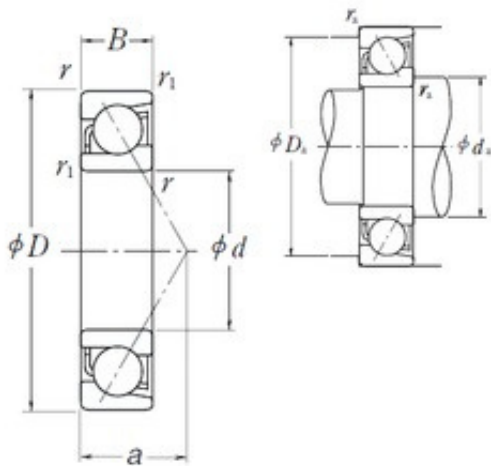
Bearing No. 7013 C

| | |
|-------------------------------|--------------|
| D | 100 mm |
| d | 65 mm |
| B | 18 mm |
| C | 18 mm |
| a | 20 mm |
| r min. | 1,1 mm |
| Weight | 0,493 Kg |
| Da max. | 93 mm |
| ra max. | 1 mm |
| r1 min. | 0,6 mm |
| da min. | 72 mm |
| Size (mm) | 65x100x18 |
| Width (mm) | 18 |
| Bearing number | 7013 C |
| Bore Diameter (mm) | 65 |
| Outer Diameter (mm) | 100 |
| (Oil) Lubrication Speed | 13 000 r/min |
| (Grease) Lubrication Speed | 10 000 r/min |
| Basic dynamic load rating (C) | 37 kN |
| Basic static load rating (C0) | 34,5 kN |



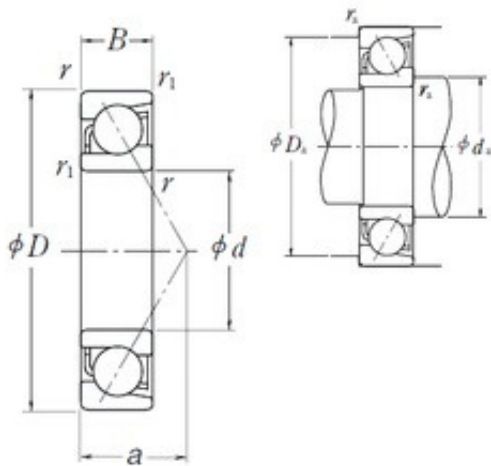
Bearing No. 7012 C

| | |
|-------------------------------|--------------|
| D | 95 mm |
| d | 60 mm |
| B | 18 mm |
| C | 18 mm |
| a | 19,4 mm |
| r min. | 1,1 mm |
| Weight | 0,46 Kg |
| Da max. | 88 mm |
| ra max. | 1 mm |
| r1 min. | 0,6 mm |
| da min. | 67 mm |
| Size (mm) | 60x95x18 |
| Width (mm) | 18 |
| Bearing number | 7012 C |
| Bore Diameter (mm) | 60 |
| Outer Diameter (mm) | 95 |
| (Oil) Lubrication Speed | 14 000 r/min |
| (Grease) Lubrication Speed | 10 000 r/min |
| Basic dynamic load rating (C) | 35 kN |
| Basic static load rating (C0) | 30,5 kN |



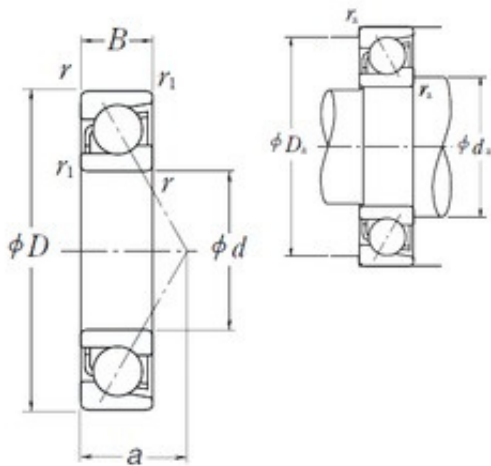
Bearing No. 7011 C

| | |
|-------------------------------|--------------|
| D | 90 mm |
| d | 55 mm |
| B | 18 mm |
| C | 18 mm |
| a | 18,7 mm |
| r min. | 1,1 mm |
| Weight | 0,43 Kg |
| Da max. | 83 mm |
| ra max. | 1 mm |
| r1 min. | 0,6 mm |
| da min. | 62 mm |
| Size (mm) | 55x90x18 |
| Width (mm) | 18 |
| Bearing number | 7011 C |
| Bore Diameter (mm) | 55 |
| Outer Diameter (mm) | 90 |
| (Oil) Lubrication Speed | 15 000 r/min |
| (Grease) Lubrication Speed | 11 000 r/min |
| Basic dynamic load rating (C) | 34 kN |
| Basic static load rating (C0) | 28,6 kN |



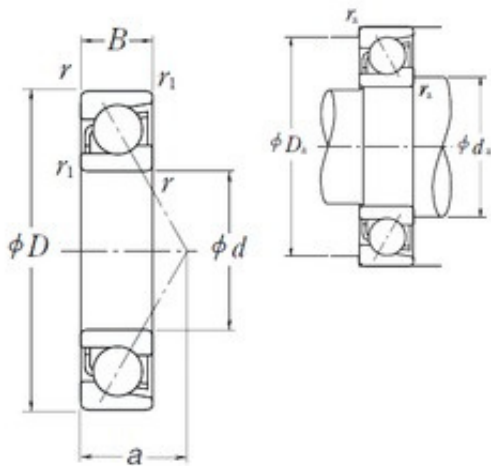
Bearing No. 7015 C

| | |
|-------------------------------|--------------|
| D | 115 mm |
| d | 75 mm |
| B | 20 mm |
| C | 20 mm |
| a | 22,7 mm |
| r min. | 1,1 mm |
| Weight | 0,748 Kg |
| Da max. | 108 mm |
| ra max. | 1 mm |
| r1 min. | 0,6 mm |
| da min. | 82 mm |
| Size (mm) | 75x115x20 |
| Width (mm) | 20 |
| Bearing number | 7015 C |
| Bore Diameter (mm) | 75 |
| Outer Diameter (mm) | 115 |
| (Oil) Lubrication Speed | 12 000 r/min |
| (Grease) Lubrication Speed | 8 500 r/min |
| Basic dynamic load rating (C) | 48 kN |
| Basic static load rating (C0) | 45,5 kN |



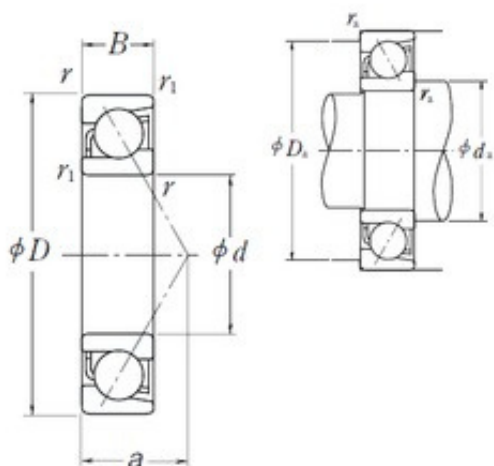
Bearing No. 7014 C

| | |
|-------------------------------|--------------|
| D | 110 mm |
| d | 70 mm |
| B | 20 mm |
| C | 20 mm |
| a | 22,1 mm |
| r min. | 1,1 mm |
| Weight | 0,698 Kg |
| Da max. | 103 mm |
| ra max. | 1 mm |
| r1 min. | 0,6 mm |
| da min. | 77 mm |
| Size (mm) | 70x110x20 |
| Width (mm) | 20 |
| Bearing number | 7014 C |
| Bore Diameter (mm) | 70 |
| Outer Diameter (mm) | 110 |
| (Oil) Lubrication Speed | 12 000 r/min |
| (Grease) Lubrication Speed | 9 000 r/min |
| Basic dynamic load rating (C) | 47 kN |
| Basic static load rating (C0) | 43 kN |



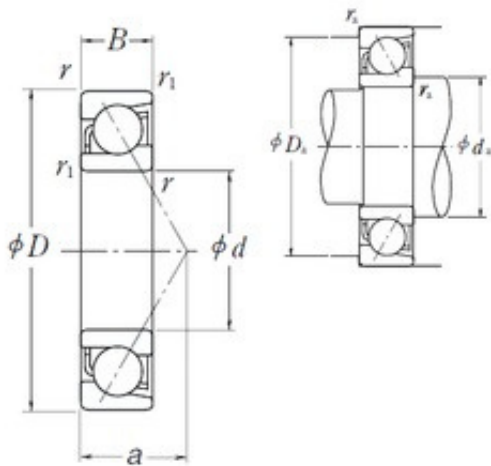
Bearing No. 7221 C

| | |
|-------------------------------|-------------|
| D | 190 mm |
| d | 105 mm |
| B | 36 mm |
| C | 36 mm |
| a | 37,7 mm |
| r min. | 2,1 mm |
| Weight | 4,33 Kg |
| Da max. | 178 mm |
| ra max. | 2 mm |
| r1 min. | 1,1 mm |
| da min. | 117 mm |
| Size (mm) | 105x190x36 |
| Width (mm) | 36 |
| Bearing number | 7221 C |
| Bore Diameter (mm) | 105 |
| Outer Diameter (mm) | 190 |
| (Oil) Lubrication Speed | 7 500 r/min |
| (Grease) Lubrication Speed | 5 300 r/min |
| Basic dynamic load rating (C) | 162 kN |
| Basic static load rating (C0) | 143 kN |



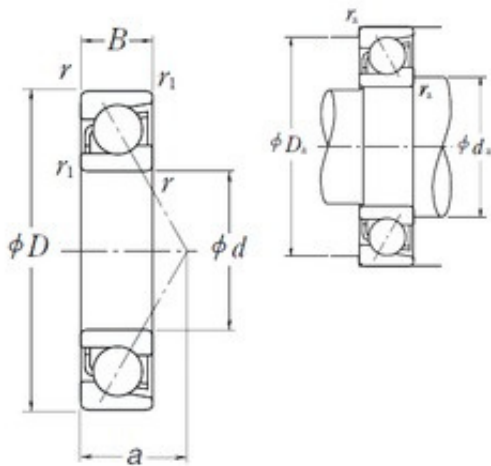
Bearing No. 7220 C

| | |
|-------------------------------|-------------|
| D | 180 mm |
| d | 100 mm |
| B | 34 mm |
| C | 34 mm |
| a | 35,7 mm |
| r min. | 2,1 mm |
| Weight | 3,65 Kg |
| Da max. | 168 mm |
| ra max. | 2 mm |
| r1 min. | 1,1 mm |
| da min. | 112 mm |
| Size (mm) | 100x180x34 |
| Width (mm) | 34 |
| Bearing number | 7220 C |
| Bore Diameter (mm) | 100 |
| Outer Diameter (mm) | 180 |
| (Oil) Lubrication Speed | 8 000 r/min |
| (Grease) Lubrication Speed | 5 600 r/min |
| Basic dynamic load rating (C) | 149 kN |
| Basic static load rating (C0) | 127 kN |



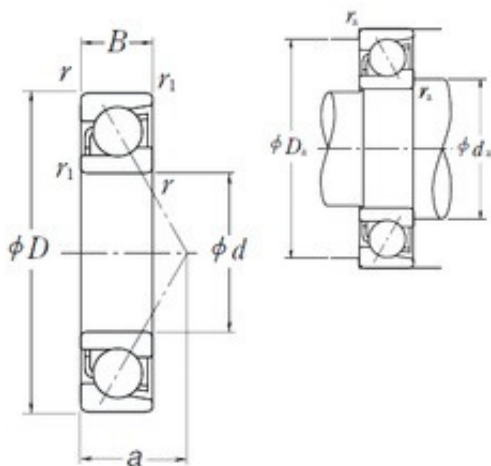
Bearing No. 7219 C

| | |
|-------------------------------|-------------|
| D | 170 mm |
| d | 95 mm |
| B | 32 mm |
| C | 32 mm |
| a | 33,7 mm |
| r min. | 2,1 mm |
| Weight | 3,05 Kg |
| Da max. | 158 mm |
| ra max. | 2 mm |
| r1 min. | 1,1 mm |
| da min. | 107 mm |
| Size (mm) | 95x170x32 |
| Width (mm) | 32 |
| Bearing number | 7219 C |
| Bore Diameter (mm) | 95 |
| Outer Diameter (mm) | 170 |
| (Oil) Lubrication Speed | 8 500 r/min |
| (Grease) Lubrication Speed | 6 000 r/min |
| Basic dynamic load rating (C) | 133 kN |
| Basic static load rating (C0) | 112 kN |



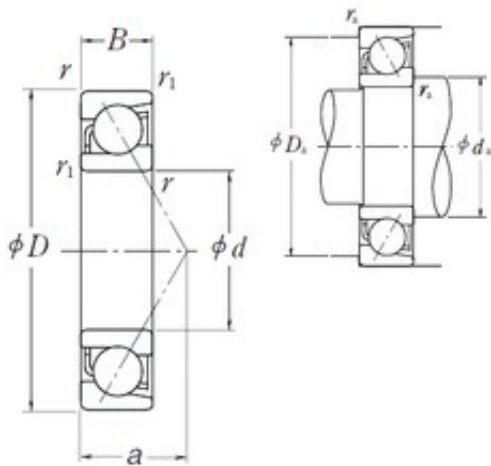
Bearing No. 7217 C

| | |
|-------------------------------|-------------|
| D | 150 mm |
| d | 85 mm |
| B | 28 mm |
| C | 28 mm |
| a | 29,7 mm |
| r min. | 2 mm |
| Weight | 2,04 Kg |
| Da max. | 140 mm |
| ra max. | 2 mm |
| r1 min. | 1 mm |
| da min. | 95 mm |
| Size (mm) | 85x150x28 |
| Width (mm) | 28 |
| Bearing number | 7217 C |
| Bore Diameter (mm) | 85 |
| Outer Diameter (mm) | 150 |
| (Oil) Lubrication Speed | 9 500 r/min |
| (Grease) Lubrication Speed | 6 700 r/min |
| Basic dynamic load rating (C) | 107 kN |
| Basic static load rating (C0) | 90,5 kN |



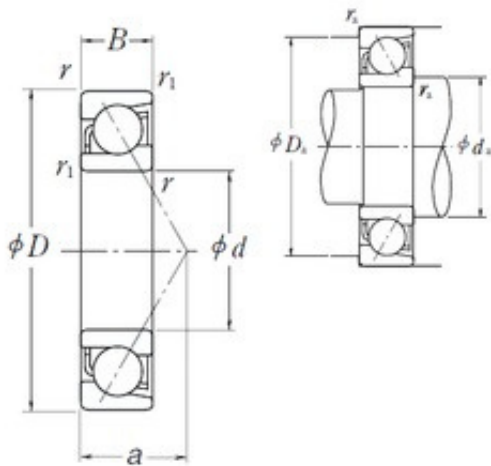
Bearing No. 7218 C

| | |
|-------------------------------|-------------|
| D | 160 mm |
| d | 90 mm |
| B | 30 mm |
| C | 30 mm |
| a | 31,7 mm |
| r min. | 2 mm |
| Weight | 2,51 Kg |
| Da max. | 150 mm |
| ra max. | 2 mm |
| r1 min. | 1 mm |
| da min. | 100 mm |
| Size (mm) | 90x160x30 |
| Width (mm) | 30 |
| Bearing number | 7218 C |
| Bore Diameter (mm) | 90 |
| Outer Diameter (mm) | 160 |
| (Oil) Lubrication Speed | 9 000 r/min |
| (Grease) Lubrication Speed | 6 300 r/min |
| Basic dynamic load rating (C) | 123 kN |
| Basic static load rating (C0) | 105 kN |



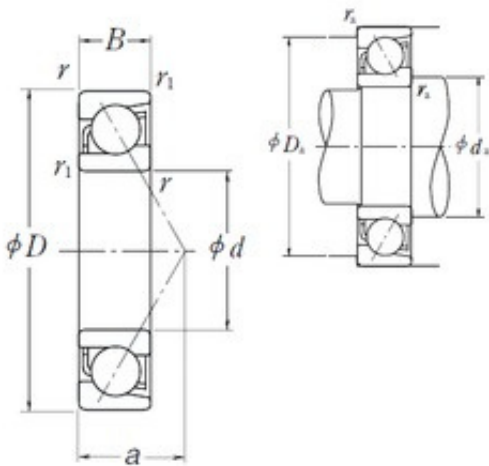
Bearing No. 7215 C

| | |
|-------------------------------|--------------|
| D | 130 mm |
| d | 75 mm |
| B | 25 mm |
| C | 25 mm |
| a | 26,2 mm |
| r min. | 1,5 mm |
| Weight | 1,36 Kg |
| Da max. | 121 mm |
| ra max. | 1,5 mm |
| r1 min. | 1 mm |
| da min. | 84 mm |
| Size (mm) | 75x130x25 |
| Width (mm) | 25 |
| Bearing number | 7215 C |
| Bore Diameter (mm) | 75 |
| Outer Diameter (mm) | 130 |
| (Oil) Lubrication Speed | 11 000 r/min |
| (Grease) Lubrication Speed | 8 000 r/min |
| Basic dynamic load rating (C) | 83 kN |
| Basic static load rating (C0) | 70 kN |



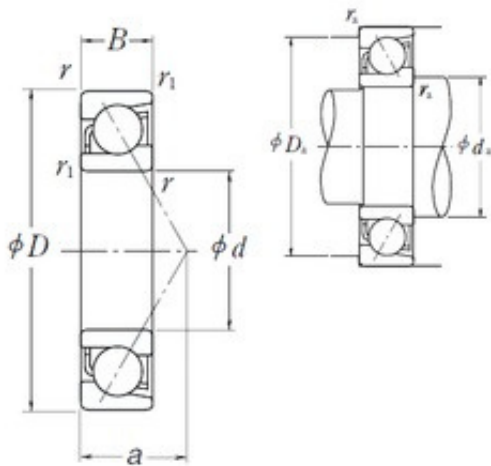
Bearing No. 7216 C

| | |
|-------------------------------|--------------|
| D | 140 mm |
| d | 80 mm |
| B | 26 mm |
| C | 26 mm |
| a | 27,7 mm |
| r min. | 2 mm |
| Weight | 1,63 Kg |
| Da max. | 130 mm |
| ra max. | 2 mm |
| r1 min. | 1 mm |
| da min. | 90 mm |
| Size (mm) | 80x140x26 |
| Width (mm) | 26 |
| Bearing number | 7216 C |
| Bore Diameter (mm) | 80 |
| Outer Diameter (mm) | 140 |
| (Oil) Lubrication Speed | 10 000 r/min |
| (Grease) Lubrication Speed | 7 500 r/min |
| Basic dynamic load rating (C) | 93 kN |
| Basic static load rating (C0) | 77,5 kN |



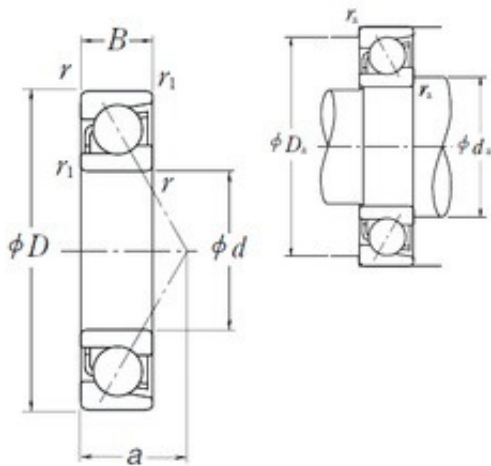
Bearing No. 7214 C

| | |
|-------------------------------|--------------|
| D | 125 mm |
| d | 70 mm |
| B | 24 mm |
| C | 24 mm |
| a | 25,1 mm |
| r min. | 1,5 mm |
| Weight | 1,24 Kg |
| Da max. | 116 mm |
| ra max. | 1,5 mm |
| r1 min. | 1 mm |
| da min. | 79 mm |
| Size (mm) | 70x125x24 |
| Width (mm) | 24 |
| Bearing number | 7214 C |
| Bore Diameter (mm) | 70 |
| Outer Diameter (mm) | 125 |
| (Oil) Lubrication Speed | 11 000 r/min |
| (Grease) Lubrication Speed | 8 500 r/min |
| Basic dynamic load rating (C) | 79,5 kN |
| Basic static load rating (C0) | 64,5 kN |



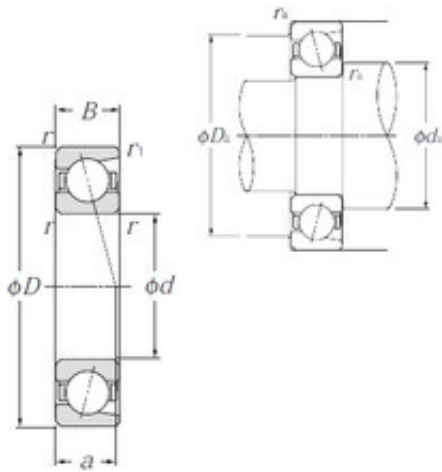
Bearing No. 7213 B

| | |
|-------------------------------|-------------|
| a | 50,3 mm |
| d | 65 mm |
| D | 120 mm |
| B | 23 mm |
| C | 23 mm |
| Weight | 1,05 Kg |
| r min. | 1,5 mm |
| Da max. | 111 mm |
| ra max. | 1,5 mm |
| r1 min. | 1 mm |
| da min. | 74 mm |
| Size (mm) | 65x120x23 |
| Width (mm) | 23 |
| Bearing number | 7213 B |
| Bore Diameter (mm) | 65 |
| Outer Diameter (mm) | 120 |
| (Grease) Lubrication Speed | 4 300 r/min |
| Basic dynamic load rating (C) | 63,5 kN |
| Basic static load rating (C0) | 52,5 kN |



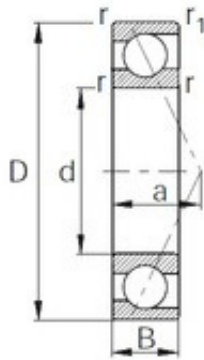
Bearing No. 7211 C

| | |
|-------------------------------|--------------|
| D | 100 mm |
| d | 55 mm |
| B | 21 mm |
| C | 21 mm |
| a | 20,9 mm |
| r min. | 1,5 mm |
| Weight | 0,688 Kg |
| Da max. | 91 mm |
| ra max. | 1,5 mm |
| r1 min. | 1 mm |
| da min. | 64 mm |
| Size (mm) | 55x100x21 |
| Width (mm) | 21 |
| Bearing number | 7211 C |
| Bore Diameter (mm) | 55 |
| Outer Diameter (mm) | 100 |
| (Oil) Lubrication Speed | 14 000 r/min |
| (Grease) Lubrication Speed | 10 000 r/min |
| Basic dynamic load rating (C) | 53 kN |
| Basic static load rating (C0) | 40 kN |



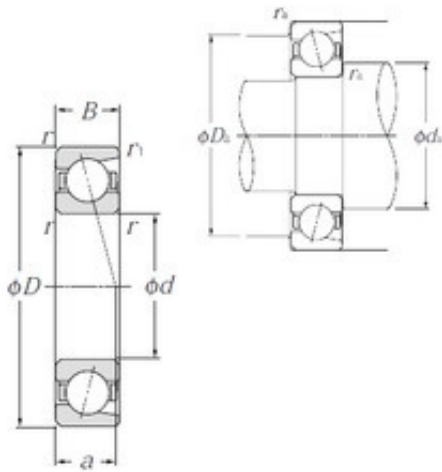
Bearing No. 7320C

| | |
|-------------------------------|-------------|
| D | 215 mm |
| d | 100 mm |
| B | 47 mm |
| C | 47 mm |
| a | 44,5 mm |
| r min. | 3 mm |
| Weight | 6,9 Kg |
| r1 min. | 1,1 mm |
| Size (mm) | 100x215x47 |
| Width (mm) | 47 |
| Bearing number | 7320C |
| Angle (?) | 15 ° |
| Bore Diameter (mm) | 100 |
| Outer Diameter (mm) | 215 |
| (Oil) Lubrication Speed | 6 900 r/min |
| (Grease) Lubrication Speed | 5 200 r/min |
| Basic dynamic load rating (C) | 222 kN |
| Basic static load rating (C0) | 207 kN |



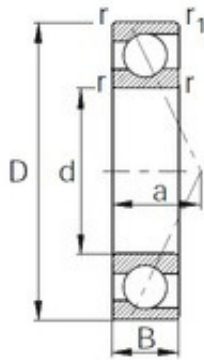
Bearing No. 7319C

| | |
|-------------------------------|------------|
| D | 200 mm |
| d | 95 mm |
| B | 45 mm |
| C | 45 mm |
| r min. | 3 mm |
| Weight | 5,65 Kg |
| Size (mm) | 95x200x45 |
| Width (mm) | 45 |
| Bearing number | 7319C |
| Angle (?) | 15 ° |
| Bore Diameter (mm) | 95 |
| Outer Diameter (mm) | 200 |
| (Grease) Lubrication Speed | 5100 r/min |
| Basic dynamic load rating (C) | 196 kN |
| Basic static load rating (C0) | 174 kN |



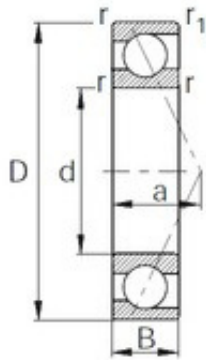
Bearing No. 7318C

| | |
|-------------------------------|-------------|
| D | 190 mm |
| d | 90 mm |
| B | 43 mm |
| C | 43 mm |
| a | 40,5 mm |
| r min. | 3 mm |
| Weight | 4,88 Kg |
| r1 min. | 1,1 mm |
| Size (mm) | 90x190x43 |
| Width (mm) | 43 |
| Bearing number | 7318C |
| Angle (?) | 15 ° |
| Bore Diameter (mm) | 90 |
| Outer Diameter (mm) | 190 |
| (Oil) Lubrication Speed | 7 800 r/min |
| (Grease) Lubrication Speed | 5 800 r/min |
| Basic dynamic load rating (C) | 183 kN |
| Basic static load rating (C0) | 158 kN |



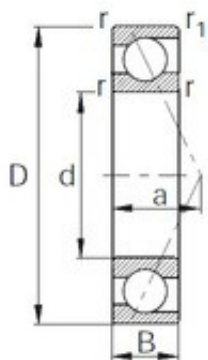
Bearing No. 7317

| | |
|-------------------------------|------------|
| D | 180 mm |
| d | 85 mm |
| B | 41 mm |
| C | 41 mm |
| r min. | 3 mm |
| Size (mm) | 85x180x41 |
| Width (mm) | 41 |
| Bearing number | 7317 |
| Angle (?) | 25 ° |
| Bore Diameter (mm) | 85 |
| Outer Diameter (mm) | 180 |
| (Grease) Lubrication Speed | 4200 r/min |
| Basic dynamic load rating (C) | 159 kN |
| Basic static load rating (C0) | 133 kN |



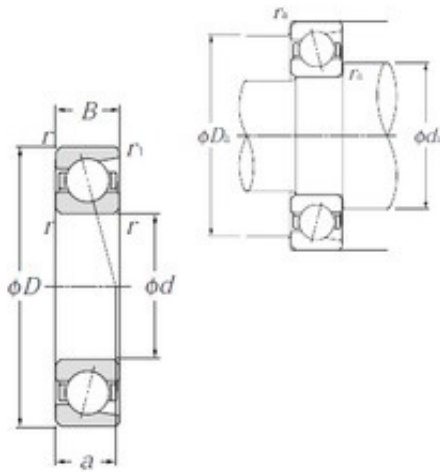
Bearing No. 7316C

| | |
|-------------------------------|------------|
| D | 170 mm |
| d | 80 mm |
| B | 39 mm |
| C | 39 mm |
| r min. | 2,1 mm |
| Weight | 3,55 Kg |
| Size (mm) | 80x170x39 |
| Width (mm) | 39 |
| Bearing number | 7316C |
| Angle (?) | 15 ° |
| Bore Diameter (mm) | 80 |
| Outer Diameter (mm) | 170 |
| (Grease) Lubrication Speed | 6500 r/min |
| Basic dynamic load rating (C) | 149 kN |
| Basic static load rating (C0) | 117 kN |



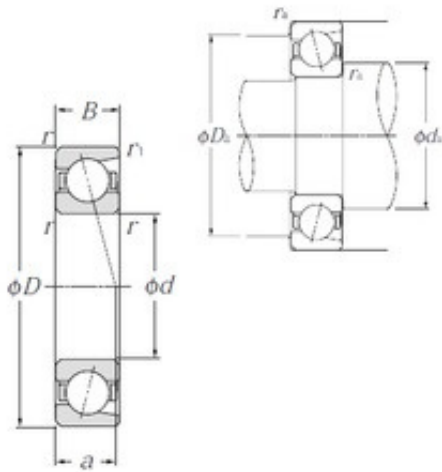
Bearing No. 7315C

| | |
|-------------------------------|------------|
| D | 160 mm |
| d | 75 mm |
| B | 37 mm |
| C | 37 mm |
| r min. | 2,1 mm |
| Weight | 3,09 Kg |
| Size (mm) | 75x160x37 |
| Width (mm) | 37 |
| Bearing number | 7315C |
| Angle (?) | 15 ° |
| Bore Diameter (mm) | 75 |
| Outer Diameter (mm) | 160 |
| (Grease) Lubrication Speed | 7000 r/min |
| Basic dynamic load rating (C) | 137 kN |
| Basic static load rating (C0) | 104 kN |



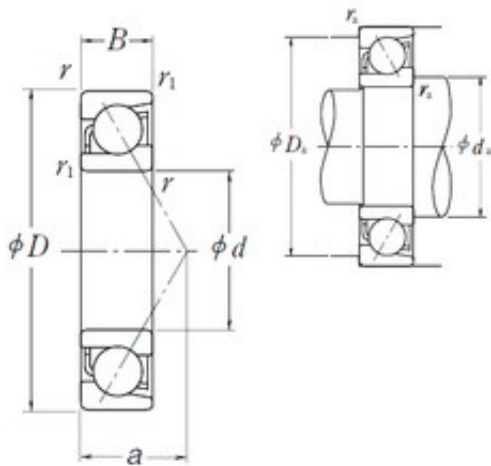
Bearing No. 7314C

| | |
|-------------------------------|--------------|
| D | 150 mm |
| d | 70 mm |
| B | 35 mm |
| C | 35 mm |
| a | 32 mm |
| r min. | 2,1 mm |
| Weight | 2,5 Kg |
| r1 min. | 1,1 mm |
| Size (mm) | 70x150x35 |
| Width (mm) | 35 |
| Bearing number | 7314C |
| Angle (?) | 15 ° |
| Bore Diameter (mm) | 70 |
| Outer Diameter (mm) | 150 |
| (Oil) Lubrication Speed | 10 000 r/min |
| (Grease) Lubrication Speed | 7 500 r/min |
| Basic dynamic load rating (C) | 126 kN |
| Basic static load rating (C0) | 92 kN |



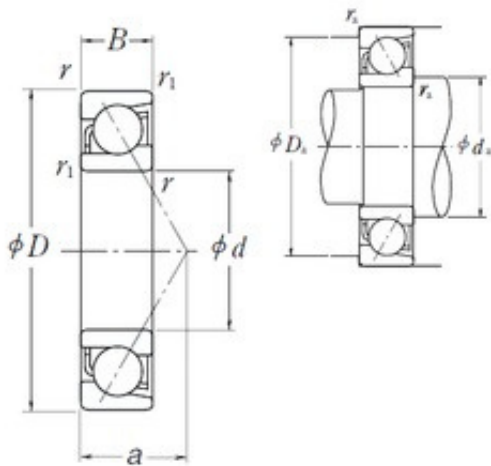
Bearing No. 7311C

| | |
|-------------------------------|--------------|
| D | 120 mm |
| d | 55 mm |
| B | 29 mm |
| C | 29 mm |
| a | 26,5 mm |
| r min. | 2 mm |
| Weight | 1,34 Kg |
| r1 min. | 1 mm |
| Size (mm) | 55x120x29 |
| Width (mm) | 29 |
| Bearing number | 7311C |
| Angle (?) | 15 ° |
| Bore Diameter (mm) | 55 |
| Outer Diameter (mm) | 120 |
| (Oil) Lubrication Speed | 13 000 r/min |
| (Grease) Lubrication Speed | 9 400 r/min |
| Basic dynamic load rating (C) | 87 kN |
| Basic static load rating (C0) | 60,5 kN |



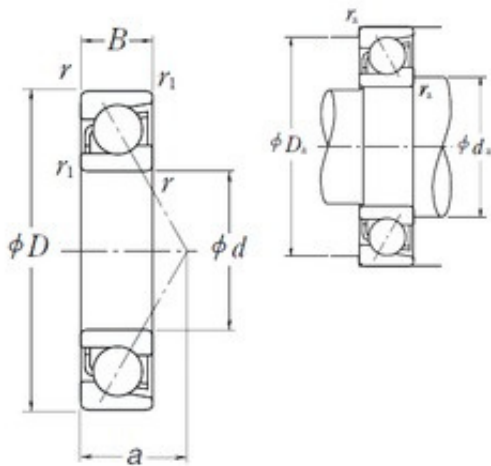
Bearing No. 7920 C

| | |
|-------------------------------|-------------|
| D | 140 mm |
| d | 100 mm |
| B | 20 mm |
| C | 20 mm |
| a | 26,1 mm |
| r min. | 1,1 mm |
| Weight | 0,794 Kg |
| Da max. | 133 mm |
| ra max. | 1 mm |
| r1 min. | 0,6 mm |
| da min. | 107 mm |
| Size (mm) | 100x140x20 |
| Width (mm) | 20 |
| Bearing number | 7920 C |
| Bore Diameter (mm) | 100 |
| Outer Diameter (mm) | 140 |
| (Oil) Lubrication Speed | 9 000 r/min |
| (Grease) Lubrication Speed | 6 700 r/min |
| Basic dynamic load rating (C) | 50 kN |
| Basic static load rating (C0) | 54 kN |



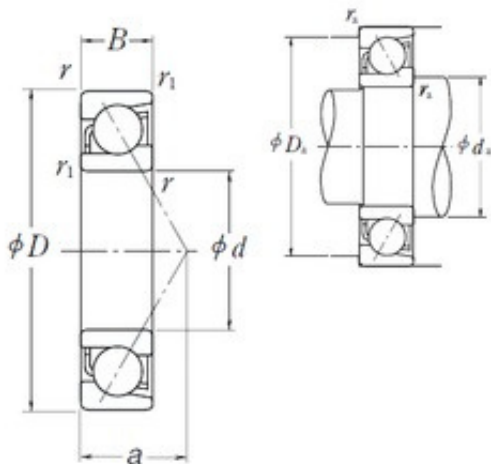
Bearing No. 7919 C

| | |
|-------------------------------|--------------|
| D | 130 mm |
| d | 95 mm |
| B | 18 mm |
| C | 18 mm |
| a | 24,1 mm |
| r min. | 1,1 mm |
| Weight | 0,591 Kg |
| Da max. | 123 mm |
| ra max. | 1 mm |
| r1 min. | 0,6 mm |
| da min. | 102 mm |
| Size (mm) | 95x130x18 |
| Width (mm) | 18 |
| Bearing number | 7919 C |
| Bore Diameter (mm) | 95 |
| Outer Diameter (mm) | 130 |
| (Oil) Lubrication Speed | 10 000 r/min |
| (Grease) Lubrication Speed | 7 100 r/min |
| Basic dynamic load rating (C) | 42,5 kN |
| Basic static load rating (C0) | 48 kN |



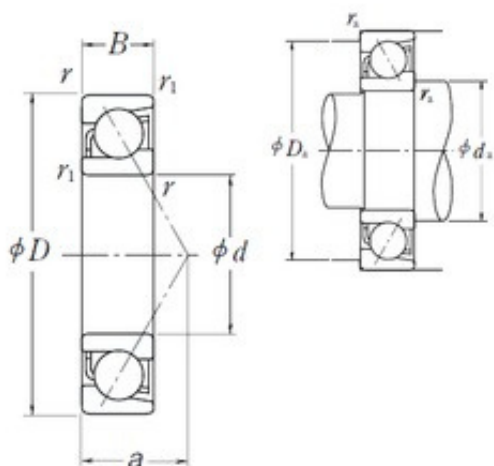
Bearing No. 7918 C

| | |
|-------------------------------|--------------|
| D | 125 mm |
| d | 90 mm |
| B | 18 mm |
| C | 18 mm |
| a | 23,4 mm |
| r min. | 1,1 mm |
| Weight | 0,563 Kg |
| Da max. | 118 mm |
| ra max. | 1 mm |
| r1 min. | 0,6 mm |
| da min. | 97 mm |
| Size (mm) | 90x125x18 |
| Width (mm) | 18 |
| Bearing number | 7918 C |
| Bore Diameter (mm) | 90 |
| Outer Diameter (mm) | 125 |
| (Oil) Lubrication Speed | 10 000 r/min |
| (Grease) Lubrication Speed | 7 500 r/min |
| Basic dynamic load rating (C) | 41,5 kN |
| Basic static load rating (C0) | 46 kN |



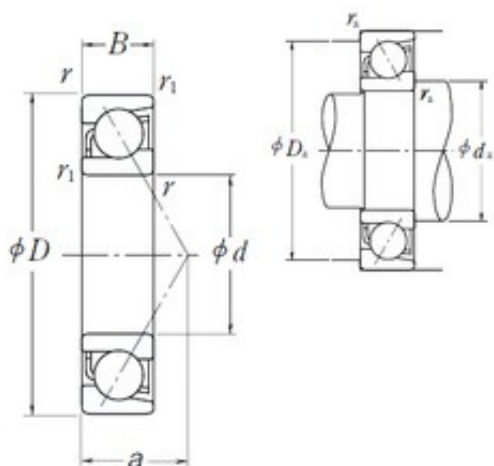
Bearing No. 7917 C

| | |
|-------------------------------|--------------|
| D | 120 mm |
| d | 85 mm |
| B | 18 mm |
| C | 18 mm |
| a | 22,7 mm |
| r min. | 1,1 mm |
| Weight | 0,534 Kg |
| Da max. | 113 mm |
| ra max. | 1 mm |
| r1 min. | 0,6 mm |
| da min. | 92 mm |
| Size (mm) | 85x120x18 |
| Width (mm) | 18 |
| Bearing number | 7917 C |
| Bore Diameter (mm) | 85 |
| Outer Diameter (mm) | 120 |
| (Oil) Lubrication Speed | 11 000 r/min |
| (Grease) Lubrication Speed | 8 000 r/min |
| Basic dynamic load rating (C) | 39 kN |
| Basic static load rating (C0) | 40,5 kN |



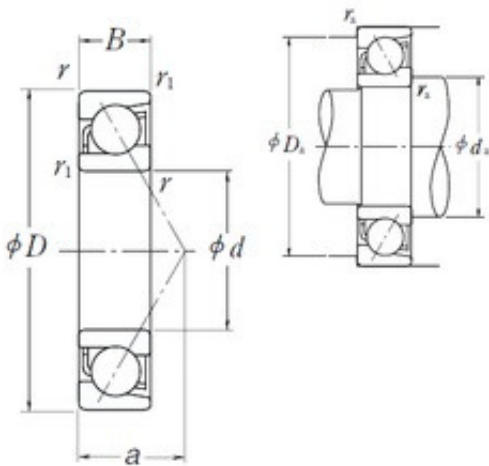
Bearing No. 7916 C

| | |
|-------------------------------|--------------|
| D | 110 mm |
| d | 80 mm |
| B | 16 mm |
| C | 16 mm |
| a | 20,7 mm |
| r min. | 1 mm |
| Weight | 0,376 Kg |
| Da max. | 104 mm |
| ra max. | 1 mm |
| r1 min. | 0,6 mm |
| da min. | 86 mm |
| Size (mm) | 80x110x16 |
| Width (mm) | 16 |
| Bearing number | 7916 C |
| Bore Diameter (mm) | 80 |
| Outer Diameter (mm) | 110 |
| (Oil) Lubrication Speed | 12 000 r/min |
| (Grease) Lubrication Speed | 8 500 r/min |
| Basic dynamic load rating (C) | 29 kN |
| Basic static load rating (C0) | 30,5 kN |



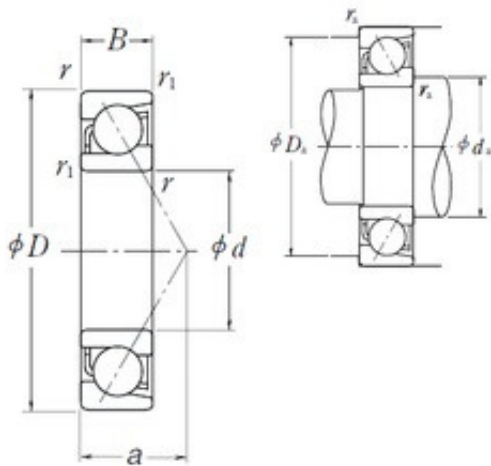
Bearing No. 7915 C

| | |
|-------------------------------|--------------|
| D | 105 mm |
| d | 75 mm |
| B | 16 mm |
| C | 16 mm |
| a | 20,1 mm |
| r min. | 1 mm |
| Weight | 0,357 Kg |
| Da max. | 99 mm |
| ra max. | 1 mm |
| r1 min. | 0,6 mm |
| da min. | 81 mm |
| Size (mm) | 75x105x16 |
| Width (mm) | 16 |
| Bearing number | 7915 C |
| Bore Diameter (mm) | 75 |
| Outer Diameter (mm) | 105 |
| (Oil) Lubrication Speed | 12 000 r/min |
| (Grease) Lubrication Speed | 9 000 r/min |
| Basic dynamic load rating (C) | 28,6 kN |
| Basic static load rating (C0) | 29,3 kN |



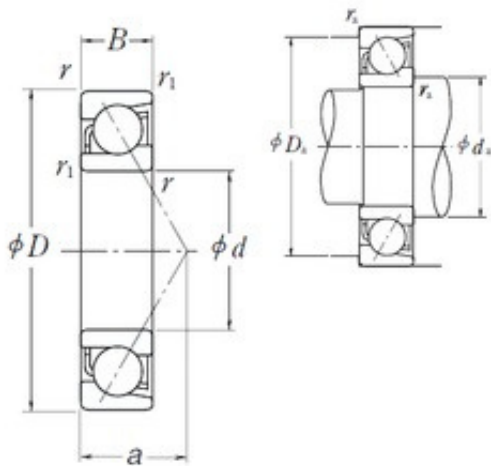
Bearing No. 7914 C

| | |
|-------------------------------|--------------|
| D | 100 mm |
| d | 70 mm |
| B | 16 mm |
| C | 16 mm |
| a | 19,4 mm |
| r min. | 1 mm |
| Weight | 0,338 Kg |
| Da max. | 94 mm |
| ra max. | 1 mm |
| r1 min. | 0,6 mm |
| da min. | 76 mm |
| Size (mm) | 70x100x16 |
| Width (mm) | 16 |
| Bearing number | 7914 C |
| Bore Diameter (mm) | 70 |
| Outer Diameter (mm) | 100 |
| (Oil) Lubrication Speed | 13 000 r/min |
| (Grease) Lubrication Speed | 9 500 r/min |
| Basic dynamic load rating (C) | 28,1 kN |
| Basic static load rating (C0) | 27,8 kN |



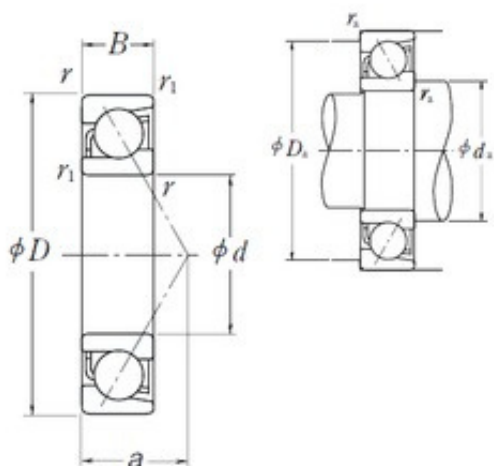
Bearing No. 7913 C

| | |
|-------------------------------|--------------|
| D | 90 mm |
| d | 65 mm |
| B | 13 mm |
| C | 13 mm |
| a | 16,9 mm |
| r min. | 1 mm |
| Weight | 0,208 Kg |
| Da max. | 84 mm |
| ra max. | 1 mm |
| r1 min. | 0,6 mm |
| da min. | 71 mm |
| Size (mm) | 65x90x13 |
| Width (mm) | 13 |
| Bearing number | 7913 C |
| Bore Diameter (mm) | 65 |
| Outer Diameter (mm) | 90 |
| (Oil) Lubrication Speed | 14 000 r/min |
| (Grease) Lubrication Speed | 10 000 r/min |
| Basic dynamic load rating (C) | 20,2 kN |
| Basic static load rating (C0) | 20,5 kN |



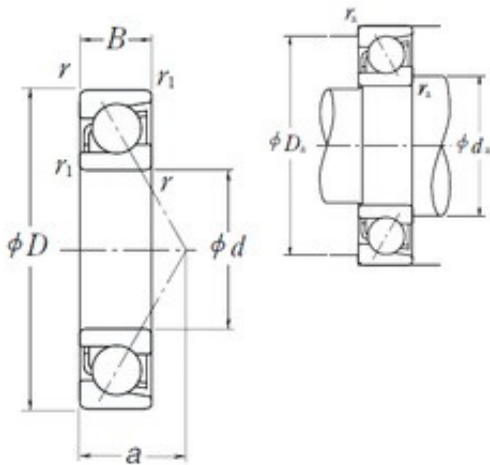
Bearing No. 7912 C

| | |
|-------------------------------|--------------|
| D | 85 mm |
| d | 60 mm |
| B | 13 mm |
| C | 13 mm |
| a | 16,2 mm |
| r min. | 1 mm |
| Weight | 0,194 Kg |
| Da max. | 79 mm |
| ra max. | 1 mm |
| r1 min. | 0,6 mm |
| da min. | 66 mm |
| Size (mm) | 60x85x13 |
| Width (mm) | 13 |
| Bearing number | 7912 C |
| Bore Diameter (mm) | 60 |
| Outer Diameter (mm) | 85 |
| (Oil) Lubrication Speed | 15 000 r/min |
| (Grease) Lubrication Speed | 11 000 r/min |
| Basic dynamic load rating (C) | 19,4 kN |
| Basic static load rating (C0) | 18,7 kN |



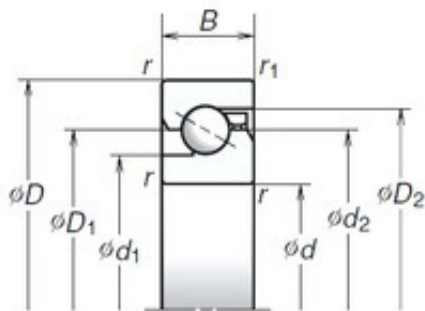
Bearing No. 7910 C

| | |
|-------------------------------|--------------|
| D | 72 mm |
| d | 50 mm |
| B | 12 mm |
| C | 12 mm |
| a | 14,2 mm |
| r min. | 0,6 mm |
| Weight | 0,13 Kg |
| Da max. | 67 mm |
| ra max. | 0,6 mm |
| r1 min. | 0,3 mm |
| da min. | 55 mm |
| Size (mm) | 50x72x12 |
| Width (mm) | 12 |
| Bearing number | 7910 C |
| Bore Diameter (mm) | 50 |
| Outer Diameter (mm) | 72 |
| (Oil) Lubrication Speed | 18 000 r/min |
| (Grease) Lubrication Speed | 13 000 r/min |
| Basic dynamic load rating (C) | 16,9 kN |
| Basic static load rating (C0) | 15 kN |



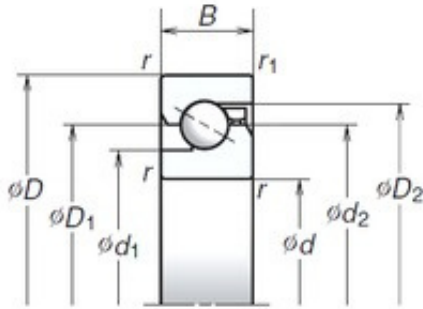
Bearing No. 7911 C

| | |
|-------------------------------|--------------|
| D | 80 mm |
| d | 55 mm |
| B | 13 mm |
| C | 13 mm |
| a | 15,5 mm |
| r min. | 1 mm |
| Weight | 0,182 Kg |
| Da max. | 74 mm |
| ra max. | 1 mm |
| r1 min. | 0,6 mm |
| da min. | 61 mm |
| Size (mm) | 55x80x13 |
| Width (mm) | 13 |
| Bearing number | 7911 C |
| Bore Diameter (mm) | 55 |
| Outer Diameter (mm) | 80 |
| (Oil) Lubrication Speed | 16 000 r/min |
| (Grease) Lubrication Speed | 12 000 r/min |
| Basic dynamic load rating (C) | 19,1 kN |
| Basic static load rating (C0) | 17,7 kN |



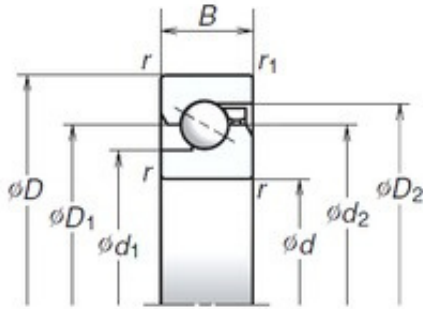
Bearing No. 55TAC120B

| | |
|----------------------------|-------------|
| D | 120 mm |
| d | 55 mm |
| B | 20 mm |
| C | 20 mm |
| D1 | 93 mm |
| D2 | 102,2 mm |
| d1 | 82 mm |
| d2 | 93 mm |
| Weight | 1,23 Kg |
| r min. | 1 mm |
| r1 min. | 0,6 mm |
| Size (mm) | 55x120x20 |
| Width (mm) | 20 |
| Bearing number | 55TAC120B |
| Angle (?) | 60 ° |
| Bore Diameter (mm) | 55 |
| Outer Diameter (mm) | 120 |
| (Grease) Lubrication Speed | 2 200 r/min |



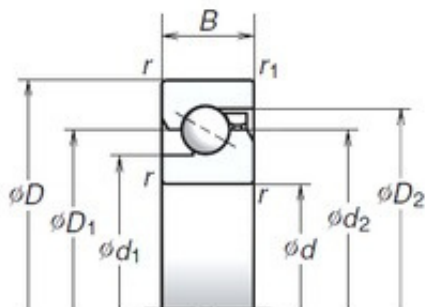
Bearing No. 55TAC100B

| | |
|----------------------------|-------------|
| D | 100 mm |
| d | 55 mm |
| B | 20 mm |
| C | 20 mm |
| D1 | 79 mm |
| D2 | 87,7 mm |
| d1 | 67,5 mm |
| d2 | 79 mm |
| Weight | 0,714 Kg |
| r min. | 1 mm |
| r1 min. | 0,6 mm |
| Size (mm) | 55x100x20 |
| Width (mm) | 20 |
| Bearing number | 55TAC100B |
| Angle (?) | 60 ° |
| Bore Diameter (mm) | 55 |
| Outer Diameter (mm) | 100 |
| (Grease) Lubrication Speed | 2 600 r/min |



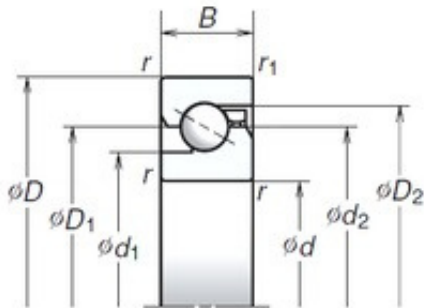
Bearing No. 50TAC100B

| | |
|----------------------------|-------------|
| D | 100 mm |
| d | 50 mm |
| B | 20 mm |
| C | 20 mm |
| D1 | 79 mm |
| D2 | 87,7 mm |
| d1 | 67,5 mm |
| d2 | 79 mm |
| Weight | 0,778 Kg |
| r min. | 1 mm |
| r1 min. | 0,6 mm |
| Size (mm) | 50x100x20 |
| Width (mm) | 20 |
| Bearing number | 50TAC100B |
| Angle (?) | 60° |
| Bore Diameter (mm) | 50 |
| Outer Diameter (mm) | 100 |
| (Grease) Lubrication Speed | 2 600 r/min |



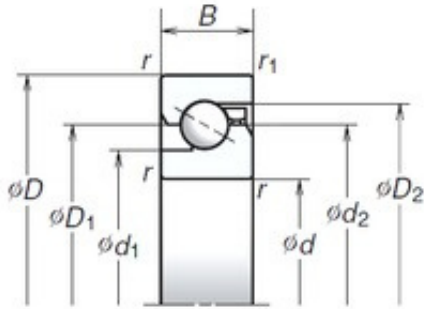
Bearing No. 45TAC75B

| | |
|----------------------------|-------------|
| D | 75 mm |
| d | 45 mm |
| B | 15 mm |
| C | 15 mm |
| D1 | 62 mm |
| D2 | 67,7 mm |
| d1 | 54 mm |
| d2 | 62 mm |
| Weight | 0,27 Kg |
| r min. | 1 mm |
| r1 min. | 0,6 mm |
| Size (mm) | 45x75x15 |
| Width (mm) | 15 |
| Bearing number | 45TAC75B |
| Angle (?) | 60 ° |
| Bore Diameter (mm) | 45 |
| Outer Diameter (mm) | 75 |
| (Grease) Lubrication Speed | 3 200 r/min |



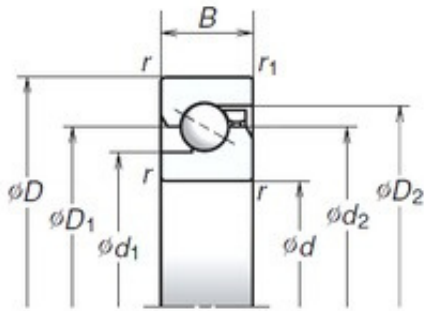
Bearing No. 45TAC100B

| | |
|----------------------------|-------------|
| D | 100 mm |
| d | 45 mm |
| B | 20 mm |
| C | 20 mm |
| D1 | 75 mm |
| D2 | 84,2 mm |
| d1 | 64 mm |
| d2 | 75 mm |
| Weight | 0,842 Kg |
| r min. | 1 mm |
| r1 min. | 0,6 mm |
| Size (mm) | 45x100x20 |
| Width (mm) | 20 |
| Bearing number | 45TAC100B |
| Angle (?) | 60 ° |
| Bore Diameter (mm) | 45 |
| Outer Diameter (mm) | 100 |
| (Grease) Lubrication Speed | 2 600 r/min |



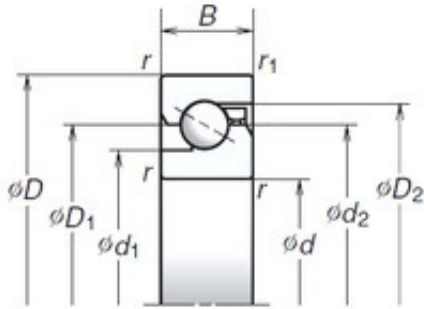
Bearing No. 40TAC72B

| | |
|----------------------------|-------------|
| D | 72 mm |
| d | 40 mm |
| B | 15 mm |
| C | 15 mm |
| D1 | 57 mm |
| D2 | 62,7 mm |
| d1 | 49 mm |
| d2 | 57 mm |
| Weight | 0,275 Kg |
| r min. | 1 mm |
| r1 min. | 0,6 mm |
| Size (mm) | 40x72x15 |
| Width (mm) | 15 |
| Bearing number | 40TAC72B |
| Angle (?) | 60 ° |
| Bore Diameter (mm) | 40 |
| Outer Diameter (mm) | 72 |
| (Grease) Lubrication Speed | 3 600 r/min |



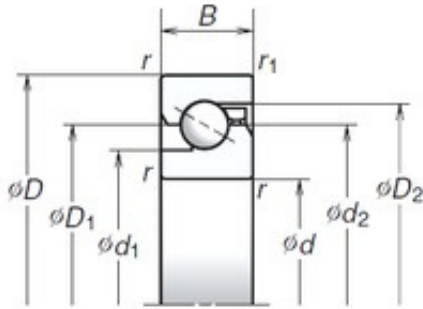
Bearing No. 40TAC90B

| | |
|----------------------------|-------------|
| D | 90 mm |
| d | 40 mm |
| B | 20 mm |
| C | 20 mm |
| D1 | 68 mm |
| D2 | 77,2 mm |
| d1 | 57 mm |
| d2 | 68 mm |
| Weight | 0,674 Kg |
| r min. | 1 mm |
| r1 min. | 0,6 mm |
| Size (mm) | 40x90x20 |
| Width (mm) | 20 |
| Bearing number | 40TAC90B |
| Angle (?) | 60 ° |
| Bore Diameter (mm) | 40 |
| Outer Diameter (mm) | 90 |
| (Grease) Lubrication Speed | 3 000 r/min |



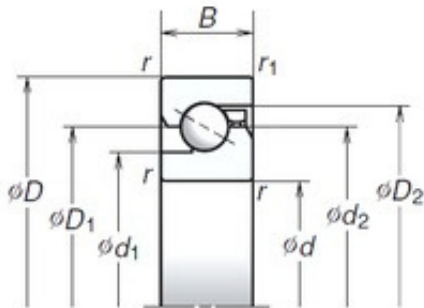
Bearing No. 30TAC62B

| | |
|----------------------------|-------------|
| D | 62 mm |
| d | 30 mm |
| B | 15 mm |
| C | 15 mm |
| D1 | 47 mm |
| D2 | 53,2 mm |
| d1 | 39,5 mm |
| d2 | 47 mm |
| Weight | 0,224 Kg |
| r min. | 1 mm |
| r1 min. | 0,6 mm |
| Size (mm) | 30x62x15 |
| Width (mm) | 15 |
| Bearing number | 30TAC62B |
| Angle (?) | 60 ° |
| Bore Diameter (mm) | 30 |
| Outer Diameter (mm) | 62 |
| (Grease) Lubrication Speed | 4 300 r/min |



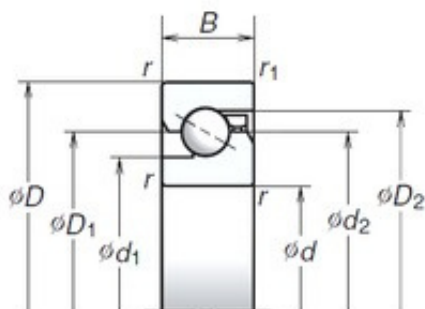
Bearing No. 25TAC62B

| | |
|----------------------------|-------------|
| D | 62 mm |
| d | 25 mm |
| B | 15 mm |
| C | 15 mm |
| D1 | 45 mm |
| D2 | 50,7 mm |
| d1 | 37 mm |
| d2 | 45 mm |
| Weight | 0,252 Kg |
| r min. | 1 mm |
| r1 min. | 0,6 mm |
| Size (mm) | 25x62x15 |
| Width (mm) | 15 |
| Bearing number | 25TAC62B |
| Angle (?) | 60 ° |
| Bore Diameter (mm) | 25 |
| Outer Diameter (mm) | 62 |
| (Grease) Lubrication Speed | 4 500 r/min |



Bearing No. 17TAC47B

| | |
|----------------------------|-------------|
| D | 47 mm |
| d | 17 mm |
| B | 15 mm |
| C | 15 mm |
| D1 | 34 mm |
| D2 | 39,6 mm |
| d1 | 27,2 mm |
| d2 | 34 mm |
| Weight | 0,144 Kg |
| r min. | 1 mm |
| r1 min. | 0,6 mm |
| Size (mm) | 17x47x15 |
| Width (mm) | 15 |
| Bearing number | 17TAC47B |
| Angle (?) | 60 ° |
| Bore Diameter (mm) | 17 |
| Outer Diameter (mm) | 47 |
| (Grease) Lubrication Speed | 6 000 r/min |



Bearing No. 20TAC47B

| | |
|----------------------------|-------------|
| D | 47 mm |
| d | 20 mm |
| B | 15 mm |
| C | 15 mm |
| D1 | 34 mm |
| D2 | 39,6 mm |
| d1 | 27,2 mm |
| d2 | 34 mm |
| Weight | 0,135 Kg |
| r min. | 1 mm |
| r1 min. | 0,6 mm |
| Size (mm) | 20x47x15 |
| Width (mm) | 15 |
| Bearing number | 20TAC47B |
| Angle (?) | 60 ° |
| Bore Diameter (mm) | 20 |
| Outer Diameter (mm) | 47 |
| (Grease) Lubrication Speed | 6 000 r/min |