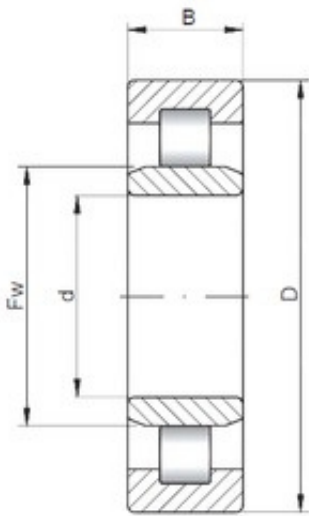


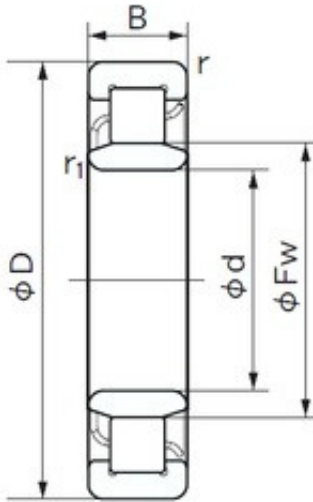
Bearing No. NU202 E

| | |
|--|-----------------------------------|
| Material | 52100 Chrome steel, or equivalent |
| Size (mm) | 15x35x11 |
| Precision | RBEC 1 |
| Width (B) | 11.0000 |
| Weight (g) | 52.00 |
| Width (mm) | 11 |
| Bearing Type | NU |
| Bore Dia (d) | 15.0000 |
| Outer Dia (D) | 35.0000 |
| Bearing number | NU202 E |
| Radius (min) (rs) | 0.600 |
| Bore Diameter (mm) | 15 |
| Standard Clearance | C0 |
| Outer Diameter (mm) | 35 |
| Static Load Rating (Cor) | 11,200 |
| Dynamic Load Rating (Cr) | 13,500 |
| Max Speed (Oil) (X1000 RPM) | 22 |
| Max Speed (Grease) (X1000 RPM) | 18 |
| Max. Shaft Shoulder Dia. Inner (Li) | 19.3 |
| Min. Housing Shoulder Dia., Outer (Lo) | 30.3 |



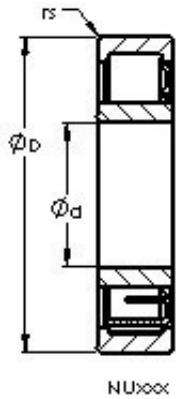
Bearing No. NU203 E

| | |
|-------------------------------|-------------|
| d | 17 mm |
| D | 40 mm |
| B | 12 mm |
| C | 12 mm |
| Fw | 22,1 mm |
| Weight | 0,069 Kg |
| Size (mm) | 17x40x12 |
| Width (mm) | 12 |
| Bearing number | NU203 E |
| Bore Diameter (mm) | 17 |
| Outer Diameter (mm) | 40 |
| (Grease) Lubrication Speed | 17000 r/min |
| Basic dynamic load rating (C) | 17,6 kN |
| Basic static load rating (C0) | 14,6 kN |



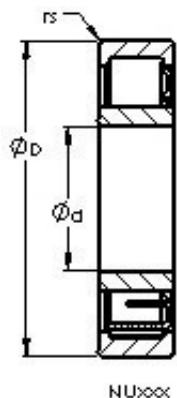
Bearing No. NU 204 E

| | |
|-------------------------------|-------------|
| d | 20 mm |
| D | 47 mm |
| B | 14 mm |
| Fw | 26.5 mm |
| r min. | 1 mm |
| Weight | 0.124 Kg |
| r1 min. | 0.6 mm |
| Size (mm) | 20x47x14 |
| Width (mm) | 14 |
| Bearing number | NU 204 E |
| Bore Diameter (mm) | 20 |
| Outer Diameter (mm) | 47 |
| (Grease) Lubrication Speed | 13000 r/min |
| Basic dynamic load rating (C) | 25,7 kN |
| Basic static load rating (C0) | 22,6 kN |



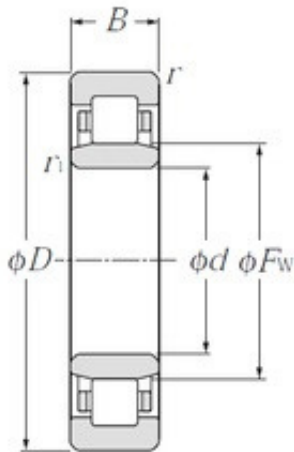
Bearing No. NU206 E

| | |
|--|-----------------------------------|
| Material | 52100 Chrome steel, or equivalent |
| Size (mm) | 30x62x16 |
| Precision | RBEC 1 |
| Width (B) | 16.0000 |
| Weight (g) | 204.00 |
| Width (mm) | 16 |
| Bearing Type | NU |
| Bore Dia (d) | 30.0000 |
| Outer Dia (D) | 62.0000 |
| Bearing number | NU206 E |
| Radius (min) (rs) | 1.000 |
| Bore Diameter (mm) | 30 |
| Standard Clearance | C0 |
| Outer Diameter (mm) | 62 |
| Static Load Rating (Cor) | 37,900 |
| Dynamic Load Rating (Cr) | 39,700 |
| Max Speed (Oil) (X1000 RPM) | 13 |
| Max Speed (Grease) (X00 RPM) | 10 |
| Max. Shaft Shoulder Dia. Inner (Li) | 37.5 |
| Min. Housing Shoulder Dia., Outer (Lo) | 55.5 |



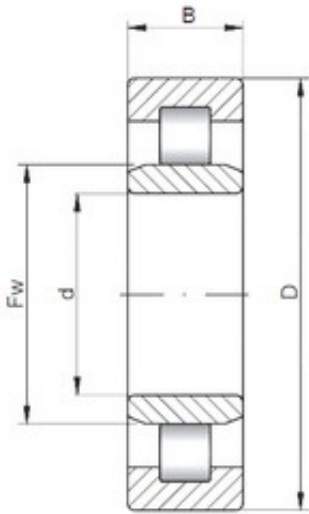
Bearing No. NU207 E

| | |
|--|-----------------------------------|
| Material | 52100 Chrome steel, or equivalent |
| Size (mm) | 35x72x17 |
| Precision | RBEC 1 |
| Width (B) | 17.0000 |
| Weight (g) | 310.00 |
| Width (mm) | 17 |
| Bearing Type | NU |
| Bore Dia (d) | 35.0000 |
| Outer Dia (D) | 72.0000 |
| Bearing number | NU207 E |
| Radius (min) (rs) | 1.100 |
| Bore Diameter (mm) | 35 |
| Standard Clearance | C0 |
| Outer Diameter (mm) | 72 |
| Static Load Rating (Cor) | 50,200 |
| Dynamic Load Rating (Cr) | 50,300 |
| Max Speed (Oil) (X1000 RPM) | 11 |
| Max Speed (Grease) (X1000 RPM) | 9 |
| Max. Shaft Shoulder Dia. Inner (Li) | 44.0 |
| Min. Housing Shoulder Dia., Outer (Lo) | 64.0 |



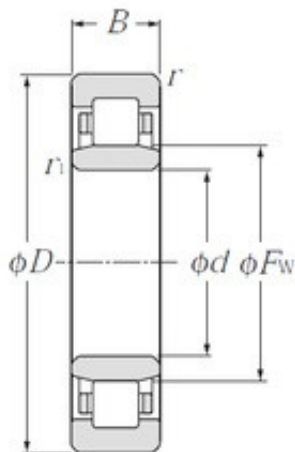
Bearing No. NU208E

| | |
|-------------------------------|-------------|
| d | 40 mm |
| D | 80 mm |
| B | 18 mm |
| C | 18 mm |
| Fw | 49,5 mm |
| Weight | 0,426 Kg |
| r min. | 1,1 mm |
| r1 min. | 1,1 mm |
| Category | Bearings |
| Inventory | 0.0 |
| Size (mm) | 40x80x18 |
| Width (mm) | 18 |
| Product Group | B04144 |
| Bearing number | NU208E |
| Manufacturer Name | NTN |
| Weight / Kilogram | 0 |
| Bore Diameter (mm) | 40 |
| Outer Diameter (mm) | 80 |
| Minimum Buy Quantity | N/A |
| (Grease) Lubrication Speed | 8 500 r/min |
| Basic dynamic load rating (C) | 55,5 kN |
| Basic static load rating (C0) | 55,5 kN |



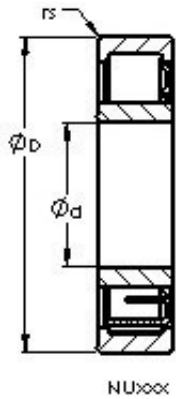
Bearing No. NU209 E

| | |
|-------------------------------|------------|
| d | 45 mm |
| D | 85 mm |
| B | 19 mm |
| C | 19 mm |
| Fw | 54,5 mm |
| Weight | 0,439 Kg |
| Size (mm) | 45x85x19 |
| Width (mm) | 19 |
| Bearing number | NU209 E |
| Bore Diameter (mm) | 45 |
| Outer Diameter (mm) | 85 |
| (Grease) Lubrication Speed | 7600 r/min |
| Basic dynamic load rating (C) | 63,1 kN |
| Basic static load rating (C0) | 66,4 kN |



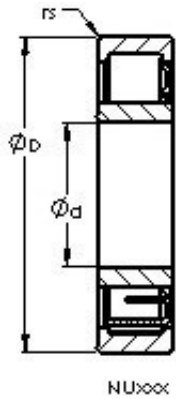
Bearing No. NU210E

| | |
|-------------------------------|------------|
| d | 50 mm |
| D | 90 mm |
| B | 20 mm |
| C | 20 mm |
| Fw | 59,5 mm |
| Weight | 0,505 Kg |
| Size (mm) | 50x90x20 |
| Width (mm) | 20 |
| Bearing number | NU210E |
| Bore Diameter (mm) | 50 |
| Outer Diameter (mm) | 90 |
| (Grease) Lubrication Speed | 6000 r/min |
| Basic dynamic load rating (C) | 69,2 kN |
| Basic static load rating (C0) | 61,2 kN |



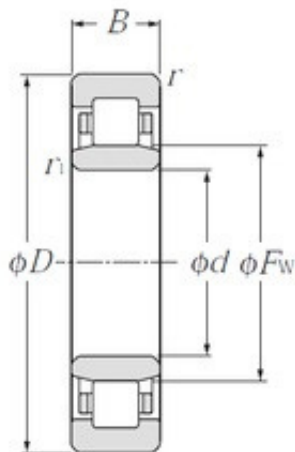
Bearing No. NU211 E

| | |
|--|-----------------------------------|
| Material | 52100 Chrome steel, or equivalent |
| Size (mm) | 55x100x21 |
| Precision | RBEC 1 |
| Width (B) | 21.0000 |
| Weight (g) | 665.00 |
| Width (mm) | 21 |
| Bearing Type | NU |
| Bore Dia (d) | 55.0000 |
| Outer Dia (D) | 100.0000 |
| Bearing number | NU211 E |
| Radius (min) (rs) | 1.500 |
| Bore Diameter (mm) | 55 |
| Standard Clearance | C0 |
| Outer Diameter (mm) | 100 |
| Static Load Rating (Cor) | 93,400 |
| Dynamic Load Rating (Cr) | 82,600 |
| Max Speed (Oil) (X1000 RPM) | 8 |
| Max Speed (Grease) (X1000 RPM) | 6 |
| Max. Shaft Shoulder Dia. Inner (Li) | 66.0 |
| Min. Housing Shoulder Dia., Outer (Lo) | 90.0 |



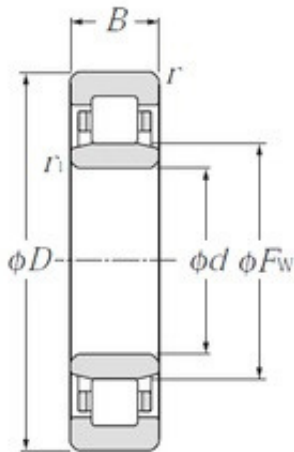
Bearing No. NU212 E

| | |
|--|-----------------------------------|
| Material | 52100 Chrome steel, or equivalent |
| Size (mm) | 60x110x22 |
| Precision | RBEC 1 |
| Width (B) | 22.0000 |
| Weight (g) | 833.00 |
| Width (mm) | 22 |
| Bearing Type | NU |
| Bore Dia (d) | 60.0000 |
| Outer Dia (D) | 110.0000 |
| Bearing number | NU212 E |
| Radius (min) (rs) | 1.500 |
| Bore Diameter (mm) | 60 |
| Standard Clearance | C0 |
| Outer Diameter (mm) | 110 |
| Static Load Rating (Cor) | 102,000 |
| Dynamic Load Rating (Cr) | 94,000 |
| Max Speed (Oil) (X1000 RPM) | 7 |
| Max Speed (Grease) (X1000 RPM) | 6 |
| Max. Shaft Shoulder Dia. Inner (Li) | 72.0 |
| Min. Housing Shoulder Dia., Outer (Lo) | 100.0 |



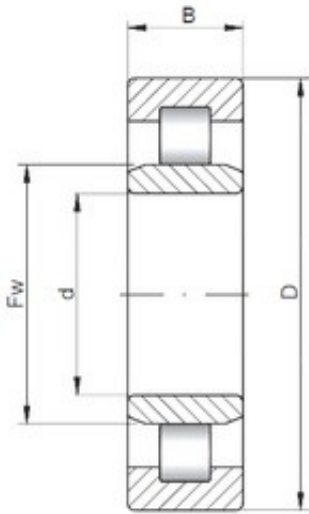
Bearing No. NU213E

| | |
|-------------------------------|-------------|
| d | 65 mm |
| D | 120 mm |
| B | 23 mm |
| C | 23 mm |
| Fw | 78,5 mm |
| r min. | 1,5 mm |
| Weight | 1,21 Kg |
| r1 min. | 1,5 mm |
| Size (mm) | 65x120x23 |
| Width (mm) | 23 |
| Bearing number | NU213E |
| Bore Diameter (mm) | 65 |
| Outer Diameter (mm) | 120 |
| (Grease) Lubrication Speed | 5 400 r/min |
| Basic dynamic load rating (C) | 108 kN |
| Basic static load rating (C0) | 119 kN |



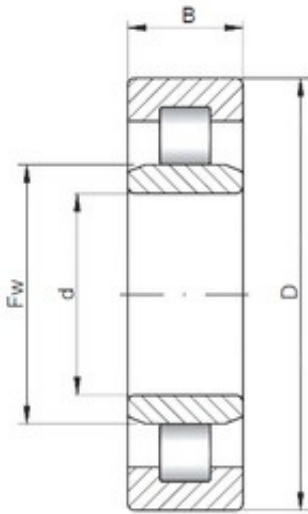
Bearing No. NU214E

| | |
|-------------------------------|-------------|
| d | 70 mm |
| D | 125 mm |
| B | 24 mm |
| C | 24 mm |
| Fw | 83,5 mm |
| Weight | 1,3 Kg |
| r min. | 1,5 mm |
| r1 min. | 1,5 mm |
| Category | Bearings |
| Inventory | 0.0 |
| Size (mm) | 70x125x24 |
| Width (mm) | 24 |
| Product Group | B04144 |
| Bearing number | NU214E |
| Manufacturer Name | NTN |
| Weight / Kilogram | 0.356 |
| Bore Diameter (mm) | 70 |
| Outer Diameter (mm) | 125 |
| Minimum Buy Quantity | N/A |
| (Grease) Lubrication Speed | 5 000 r/min |
| Basic dynamic load rating (C) | 119 kN |
| Basic static load rating (C0) | 137 kN |



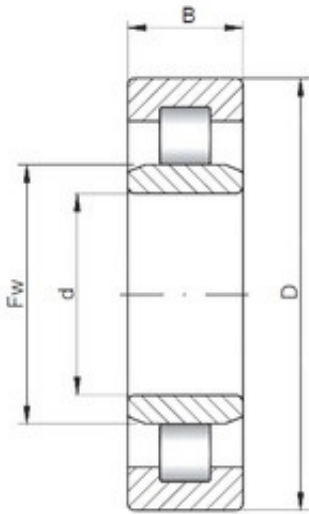
Bearing No. NU303 E

| | |
|-------------------------------|-------------|
| d | 17 mm |
| D | 47 mm |
| B | 14 mm |
| C | 14 mm |
| Fw | 24,2 mm |
| Weight | 0,12 Kg |
| Size (mm) | 17x47x14 |
| Width (mm) | 14 |
| Bearing number | NU303 E |
| Bore Diameter (mm) | 17 |
| Outer Diameter (mm) | 47 |
| (Grease) Lubrication Speed | 14000 r/min |
| Basic dynamic load rating (C) | 25,5 kN |
| Basic static load rating (C0) | 21,2 kN |



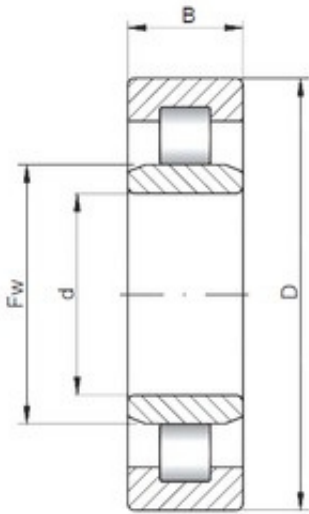
Bearing No. NU304 E

| | |
|-------------------------------|-------------|
| d | 20 mm |
| D | 52 mm |
| B | 15 mm |
| C | 15 mm |
| Fw | 27,5 mm |
| Weight | 0,153 Kg |
| Size (mm) | 20x52x15 |
| Width (mm) | 15 |
| Bearing number | NU304 E |
| Bore Diameter (mm) | 20 |
| Outer Diameter (mm) | 52 |
| (Grease) Lubrication Speed | 12000 r/min |
| Basic dynamic load rating (C) | 31,5 kN |
| Basic static load rating (C0) | 26,9 kN |



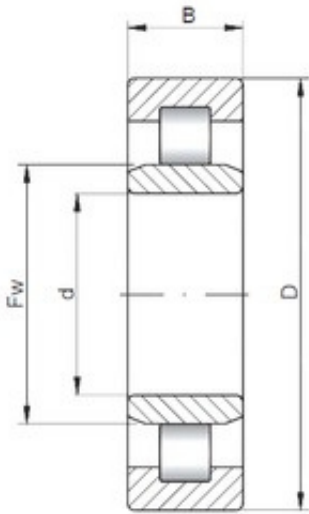
Bearing No. NU305 E

| | |
|-------------------------------|-------------|
| d | 25 mm |
| D | 62 mm |
| B | 17 mm |
| C | 17 mm |
| Fw | 34 mm |
| Weight | 0,243 Kg |
| Size (mm) | 25x62x17 |
| Width (mm) | 17 |
| Bearing number | NU305 E |
| Bore Diameter (mm) | 25 |
| Outer Diameter (mm) | 62 |
| (Grease) Lubrication Speed | 10000 r/min |
| Basic dynamic load rating (C) | 41,6 kN |
| Basic static load rating (C0) | 37,4 kN |



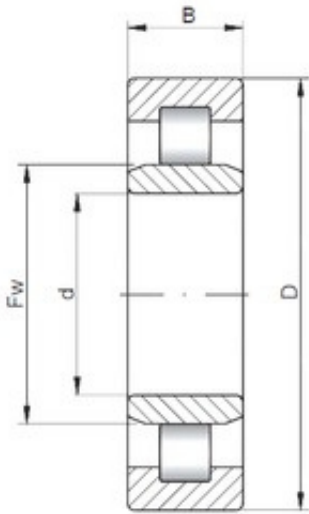
Bearing No. NU306 E

| | |
|-------------------------------|------------|
| d | 30 mm |
| D | 72 mm |
| B | 19 mm |
| C | 19 mm |
| Fw | 40,5 mm |
| Weight | 0,361 Kg |
| Size (mm) | 30x72x19 |
| Width (mm) | 19 |
| Bearing number | NU306 E |
| Bore Diameter (mm) | 30 |
| Outer Diameter (mm) | 72 |
| (Grease) Lubrication Speed | 8700 r/min |
| Basic dynamic load rating (C) | 53,1 kN |
| Basic static load rating (C0) | 50,2 kN |



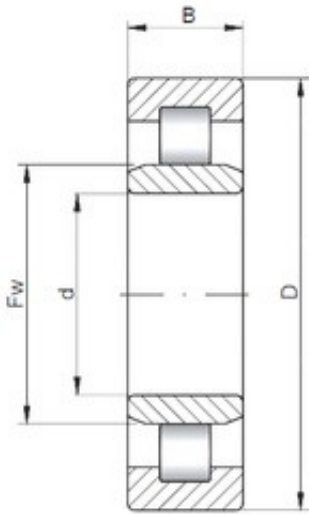
Bearing No. NU307 E

| | |
|-------------------------------|------------|
| d | 35 mm |
| D | 80 mm |
| B | 21 mm |
| C | 21 mm |
| Fw | 46,2 mm |
| Weight | 0,482 Kg |
| Size (mm) | 35x80x21 |
| Width (mm) | 21 |
| Bearing number | NU307 E |
| Bore Diameter (mm) | 35 |
| Outer Diameter (mm) | 80 |
| (Grease) Lubrication Speed | 7700 r/min |
| Basic dynamic load rating (C) | 66,6 kN |
| Basic static load rating (C0) | 65,4 kN |



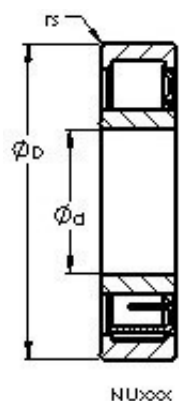
Bearing No. NU308 E

| | |
|-------------------------------|------------|
| d | 40 mm |
| D | 90 mm |
| B | 23 mm |
| C | 23 mm |
| Fw | 52 mm |
| Weight | 0,664 Kg |
| Size (mm) | 40x90x23 |
| Width (mm) | 23 |
| Bearing number | NU308 E |
| Bore Diameter (mm) | 40 |
| Outer Diameter (mm) | 90 |
| (Grease) Lubrication Speed | 6800 r/min |
| Basic dynamic load rating (C) | 83,1 kN |
| Basic static load rating (C0) | 81,5 kN |



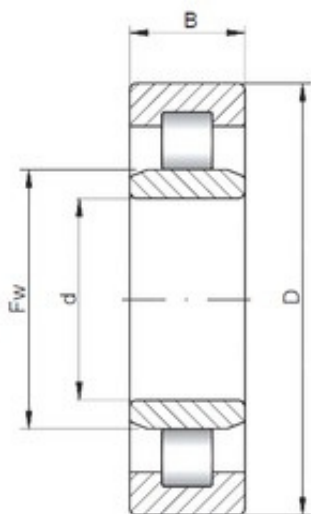
Bearing No. NU309 E

| | |
|-------------------------------|------------|
| d | 45 mm |
| D | 100 mm |
| B | 25 mm |
| C | 25 mm |
| Fw | 58,5 mm |
| Weight | 0,909 Kg |
| Size (mm) | 45x100x25 |
| Width (mm) | 25 |
| Bearing number | NU309 E |
| Bore Diameter (mm) | 45 |
| Outer Diameter (mm) | 100 |
| (Grease) Lubrication Speed | 6100 r/min |
| Basic dynamic load rating (C) | 97,4 kN |
| Basic static load rating (C0) | 98,3 kN |



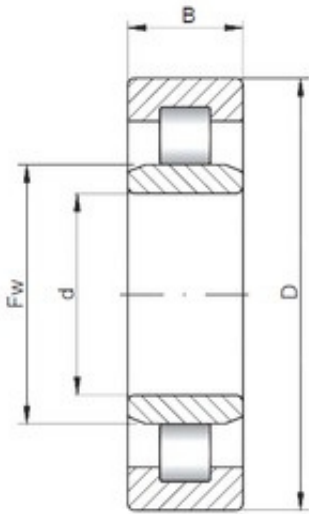
Bearing No. NU310 E

| | |
|--|-----------------------------------|
| Material | 52100 Chrome steel, or equivalent |
| Size (mm) | 50x110x27 |
| Precision | RBEC 1 |
| Width (B) | 27.0000 |
| Weight (g) | 1,157.00 |
| Width (mm) | 27 |
| Bearing Type | NU |
| Bore Dia (d) | 50.0000 |
| Outer Dia (D) | 110.0000 |
| Bearing number | NU310 E |
| Radius (min) (rs) | 2.000 |
| Bore Diameter (mm) | 50 |
| Standard Clearance | C0 |
| Outer Diameter (mm) | 110 |
| Static Load Rating (Cor) | 112,000 |
| Dynamic Load Rating (Cr) | 110,000 |
| Max Speed (Oil) (X1000 RPM) | 7 |
| Max Speed (Grease) (X1000 RPM) | 6 |
| Max. Shaft Shoulder Dia. Inner (Li) | 65.0 |
| Min. Housing Shoulder Dia., Outer (Lo) | 97.0 |



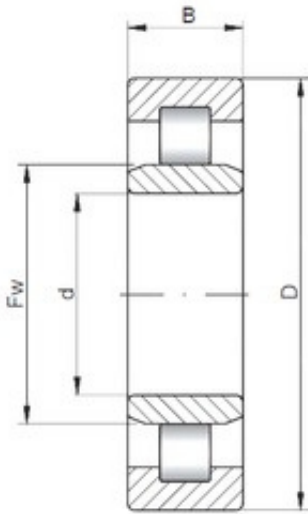
Bearing No. NU311 E

| | |
|-------------------------------|------------|
| d | 55 mm |
| D | 120 mm |
| B | 29 mm |
| C | 29 mm |
| Fw | 70,5 mm |
| Weight | 1,5 Kg |
| Size (mm) | 55x120x29 |
| Width (mm) | 29 |
| Bearing number | NU311 E |
| Bore Diameter (mm) | 55 |
| Outer Diameter (mm) | 120 |
| (Grease) Lubrication Speed | 5100 r/min |
| Basic dynamic load rating (C) | 137 kN |
| Basic static load rating (C0) | 143 kN |



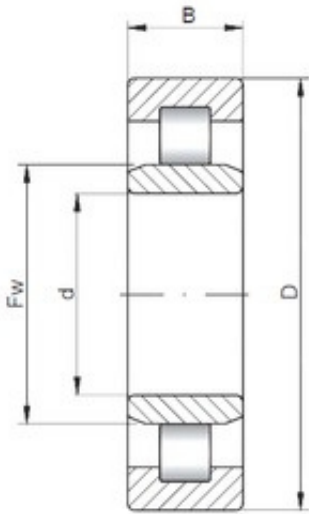
Bearing No. NU312 E

| | |
|-------------------------------|------------|
| d | 60 mm |
| D | 130 mm |
| B | 31 mm |
| C | 31 mm |
| Fw | 77 mm |
| Weight | 1,87 Kg |
| Size (mm) | 60x130x31 |
| Width (mm) | 31 |
| Bearing number | NU312 E |
| Bore Diameter (mm) | 60 |
| Outer Diameter (mm) | 130 |
| (Grease) Lubrication Speed | 4600 r/min |
| Basic dynamic load rating (C) | 150 kN |
| Basic static load rating (C0) | 157 kN |



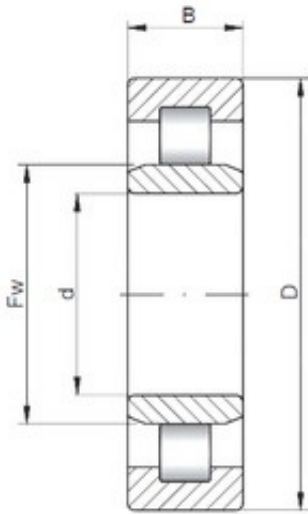
Bearing No. NU313 E

| | |
|-------------------------------|------------|
| d | 65 mm |
| D | 140 mm |
| B | 33 mm |
| C | 33 mm |
| Fw | 82,5 mm |
| Weight | 2,31 Kg |
| Size (mm) | 65x140x33 |
| Width (mm) | 33 |
| Bearing number | NU313 E |
| Bore Diameter (mm) | 65 |
| Outer Diameter (mm) | 140 |
| (Grease) Lubrication Speed | 4300 r/min |
| Basic dynamic load rating (C) | 181 kN |
| Basic static load rating (C0) | 191 kN |



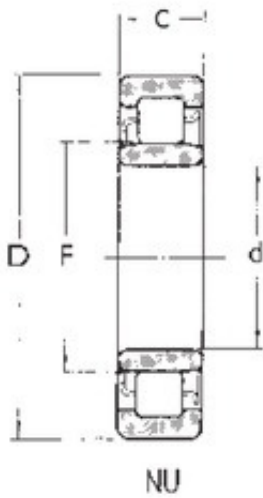
Bearing No. NU314 E

| | |
|-------------------------------|------------|
| d | 70 mm |
| D | 150 mm |
| B | 35 mm |
| C | 35 mm |
| Fw | 89 mm |
| Weight | 2,81 Kg |
| Size (mm) | 70x150x35 |
| Width (mm) | 35 |
| Bearing number | NU314 E |
| Bore Diameter (mm) | 70 |
| Outer Diameter (mm) | 150 |
| (Grease) Lubrication Speed | 4000 r/min |
| Basic dynamic load rating (C) | 205 kN |
| Basic static load rating (C0) | 222 kN |



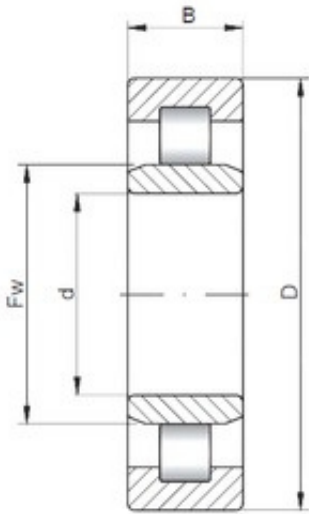
Bearing No. NU315 E

| | |
|-------------------------------|------------|
| d | 75 mm |
| D | 160 mm |
| B | 37 mm |
| C | 37 mm |
| Fw | 95 mm |
| Weight | 3,37 Kg |
| Size (mm) | 75x160x37 |
| Width (mm) | 37 |
| Bearing number | NU315 E |
| Bore Diameter (mm) | 75 |
| Outer Diameter (mm) | 160 |
| (Grease) Lubrication Speed | 3700 r/min |
| Basic dynamic load rating (C) | 240 kN |
| Basic static load rating (C0) | 263 kN |



Bearing No. NU406

| | |
|-------------------------------|------------|
| F | 45 mm |
| d | 30 mm |
| D | 90 mm |
| B | 23 mm |
| C | 23 mm |
| Weight | 0,757 Kg |
| Size (mm) | 30x90x23 |
| Width (mm) | 23 |
| Bearing number | NU406 |
| Bore Diameter (mm) | 30 |
| Outer Diameter (mm) | 90 |
| (Grease) Lubrication Speed | 7500 r/min |
| Basic dynamic load rating (C) | 62,5 kN |
| Basic static load rating (C0) | 55 kN |



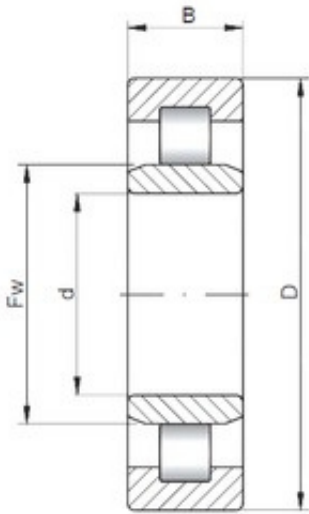
Bearing No. NU407

| | |
|-------------------------------|------------|
| d | 35 mm |
| D | 100 mm |
| B | 25 mm |
| C | 25 mm |
| Fw | 53 mm |
| Weight | 1,02 Kg |
| Size (mm) | 35x100x25 |
| Width (mm) | 25 |
| Bearing number | NU407 |
| Bore Diameter (mm) | 35 |
| Outer Diameter (mm) | 100 |
| (Grease) Lubrication Speed | 6600 r/min |
| Basic dynamic load rating (C) | 75,2 kN |
| Basic static load rating (C0) | 68,9 kN |



Bearing No. NU408

| | |
|---------------------|-----------|
| D | 110 mm |
| d | 40 mm |
| B | 27 mm |
| C | 27 mm |
| Size (mm) | 40x110x27 |
| Width (mm) | 27 |
| Bearing number | NU408 |
| Bore Diameter (mm) | 40 |
| Outer Diameter (mm) | 110 |



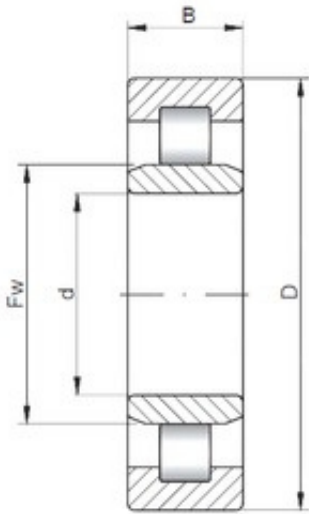
Bearing No. NU409

| | |
|-------------------------------|------------|
| d | 45 mm |
| D | 120 mm |
| B | 29 mm |
| C | 29 mm |
| Fw | 64,5 mm |
| Weight | 1,64 Kg |
| Size (mm) | 45x120x29 |
| Width (mm) | 29 |
| Bearing number | NU409 |
| Bore Diameter (mm) | 45 |
| Outer Diameter (mm) | 120 |
| (Grease) Lubrication Speed | 5400 r/min |
| Basic dynamic load rating (C) | 115 kN |
| Basic static load rating (C0) | 112 kN |



Bearing No. NU410

| | |
|---------------------|-----------|
| D | 130 mm |
| d | 50 mm |
| B | 31 mm |
| C | 31 mm |
| Size (mm) | 50x130x31 |
| Width (mm) | 31 |
| Bearing number | NU410 |
| Bore Diameter (mm) | 50 |
| Outer Diameter (mm) | 130 |



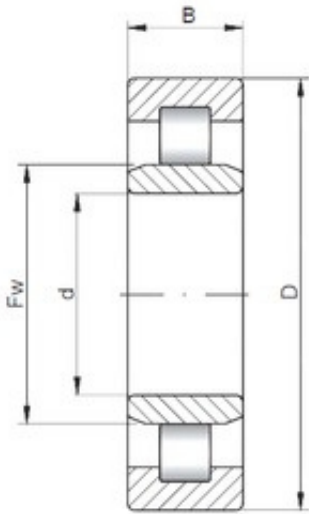
Bearing No. NU411

| | |
|-------------------------------|------------|
| d | 55 mm |
| D | 140 mm |
| B | 33 mm |
| C | 33 mm |
| Fw | 77,2 mm |
| Weight | 2,51 Kg |
| Size (mm) | 55x140x33 |
| Width (mm) | 33 |
| Bearing number | NU411 |
| Bore Diameter (mm) | 55 |
| Outer Diameter (mm) | 140 |
| (Grease) Lubrication Speed | 4600 r/min |
| Basic dynamic load rating (C) | 142 kN |
| Basic static load rating (C0) | 138 kN |



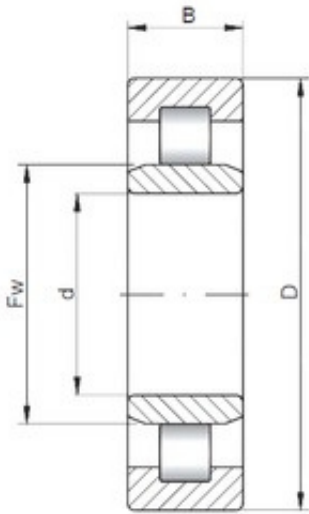
Bearing No. NU412

| | |
|---------------------|-----------|
| D | 150 mm |
| d | 60 mm |
| B | 35 mm |
| C | 35 mm |
| Size (mm) | 60x150x35 |
| Width (mm) | 35 |
| Bearing number | NU412 |
| Bore Diameter (mm) | 60 |
| Outer Diameter (mm) | 150 |



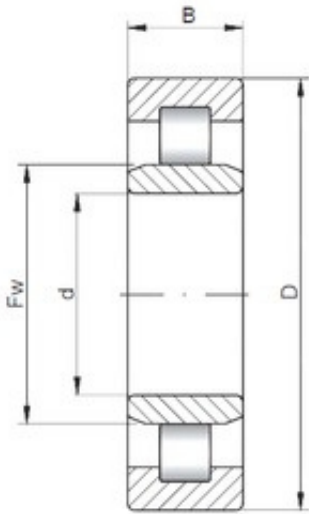
Bearing No. NU413

| | |
|-------------------------------|------------|
| d | 65 mm |
| D | 160 mm |
| B | 37 mm |
| C | 37 mm |
| Fw | 89,3 mm |
| Weight | 3,58 Kg |
| Size (mm) | 65x160x37 |
| Width (mm) | 37 |
| Bearing number | NU413 |
| Bore Diameter (mm) | 65 |
| Outer Diameter (mm) | 160 |
| (Grease) Lubrication Speed | 4000 r/min |
| Basic dynamic load rating (C) | 198 kN |
| Basic static load rating (C0) | 203 kN |



Bearing No. NU414

| | |
|-------------------------------|------------|
| d | 70 mm |
| D | 180 mm |
| B | 42 mm |
| C | 42 mm |
| Fw | 100 mm |
| Weight | 5,26 Kg |
| Size (mm) | 70x180x42 |
| Width (mm) | 42 |
| Bearing number | NU414 |
| Bore Diameter (mm) | 70 |
| Outer Diameter (mm) | 180 |
| (Grease) Lubrication Speed | 3500 r/min |
| Basic dynamic load rating (C) | 246 kN |
| Basic static load rating (C0) | 257 kN |



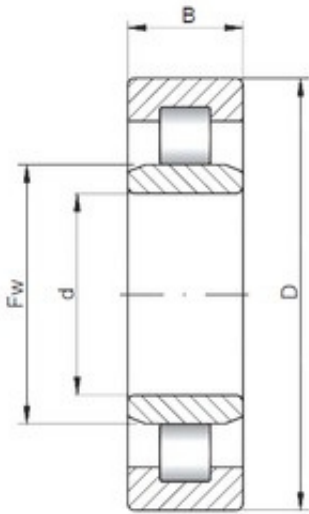
Bearing No. NU415

| | |
|-------------------------------|------------|
| d | 75 mm |
| D | 190 mm |
| B | 45 mm |
| C | 45 mm |
| Fw | 104,5 mm |
| Weight | 6,25 Kg |
| Size (mm) | 75x190x45 |
| Width (mm) | 45 |
| Bearing number | NU415 |
| Bore Diameter (mm) | 75 |
| Outer Diameter (mm) | 190 |
| (Grease) Lubrication Speed | 3300 r/min |
| Basic dynamic load rating (C) | 265 kN |
| Basic static load rating (C0) | 274 kN |



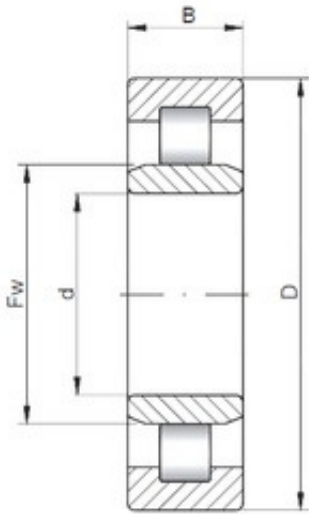
Bearing No. NU416

| | |
|---------------------|-----------|
| D | 200 mm |
| d | 80 mm |
| B | 48 mm |
| C | 48 mm |
| Size (mm) | 80x200x48 |
| Width (mm) | 48 |
| Bearing number | NU416 |
| Bore Diameter (mm) | 80 |
| Outer Diameter (mm) | 200 |



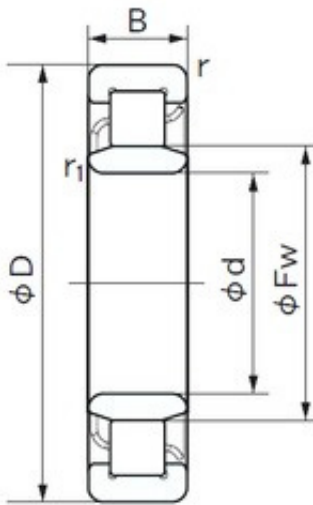
Bearing No. NU417

| | |
|-------------------------------|------------|
| d | 85 mm |
| D | 210 mm |
| B | 52 mm |
| C | 52 mm |
| Fw | 113 mm |
| Weight | 8,68 Kg |
| Size (mm) | 85x210x52 |
| Width (mm) | 52 |
| Bearing number | NU417 |
| Bore Diameter (mm) | 85 |
| Outer Diameter (mm) | 210 |
| (Grease) Lubrication Speed | 3000 r/min |
| Basic dynamic load rating (C) | 340 kN |
| Basic static load rating (C0) | 350 kN |



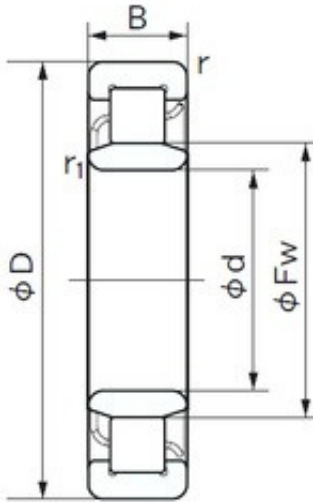
Bearing No. NU418

| | |
|-------------------------------|------------|
| d | 90 mm |
| D | 225 mm |
| B | 54 mm |
| C | 54 mm |
| Fw | 123,5 mm |
| Weight | 10,3 Kg |
| Size (mm) | 90x225x54 |
| Width (mm) | 54 |
| Bearing number | NU418 |
| Bore Diameter (mm) | 90 |
| Outer Diameter (mm) | 225 |
| (Grease) Lubrication Speed | 2800 r/min |
| Basic dynamic load rating (C) | 374 kN |
| Basic static load rating (C0) | 400 kN |



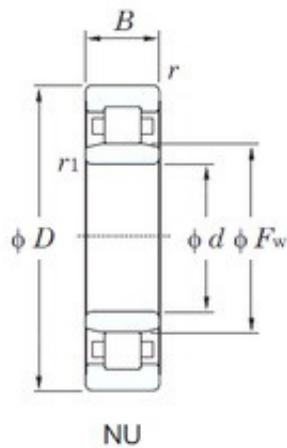
Bearing No. NU 1005

| | |
|-------------------------------|-------------|
| d | 25 mm |
| D | 47 mm |
| B | 12 mm |
| Fw | 30.5 mm |
| r min. | 0.6 mm |
| Weight | 0.086 Kg |
| r1 min. | 0.3 mm |
| Size (mm) | 25x47x12 |
| Width (mm) | 12 |
| Bearing number | NU 1005 |
| Bore Diameter (mm) | 25 |
| Outer Diameter (mm) | 47 |
| (Grease) Lubrication Speed | 15000 r/min |
| Basic dynamic load rating (C) | 14,3 kN |
| Basic static load rating (C0) | 13,1 kN |



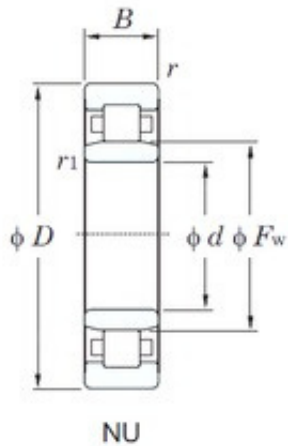
Bearing No. NU 1006

| | |
|-------------------------------|-------------|
| d | 30 mm |
| D | 55 mm |
| B | 13 mm |
| Fw | 36.5 mm |
| r min. | 1 mm |
| Weight | 0.123 Kg |
| r1 min. | 0.6 mm |
| Size (mm) | 30x55x13 |
| Width (mm) | 13 |
| Bearing number | NU 1006 |
| Bore Diameter (mm) | 30 |
| Outer Diameter (mm) | 55 |
| (Grease) Lubrication Speed | 12000 r/min |
| Basic dynamic load rating (C) | 18,7 kN |
| Basic static load rating (C0) | 18,4 kN |



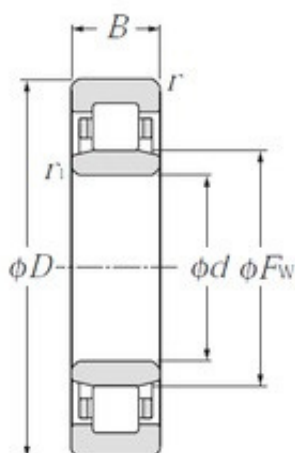
Bearing No. NU1007

| | |
|------------|----------|
| C | 14 mm |
| d | 35 mm |
| D | 62 mm |
| B | 14 mm |
| B2 | - |
| Cu | 2.65 |
| Ew | - |
| d1 | - |
| B1 | - |
| Cr | 28.3 |
| Fw | 42 mm |
| C0r | 23.2 |
| r min. | 1 mm |
| Weight | 0.182 Kg |
| r(min) | 1 |
| da(min) | - |
| db(min) | 39 |
| db(max) | 41 |
| dc(min) | - |
| r1(min) | 0.6 |
| dd(min) | - |
| Da(max) | 57 |
| Db(max) | - |
| Db(min) | - |
| r1 min. | 0.6 mm |
| ra(max) | 1 |
| rb(max) | 0.5 |
| Oil lub. | 13000 |
| Size (mm) | 35x62x14 |
| Width (mm) | 14 |



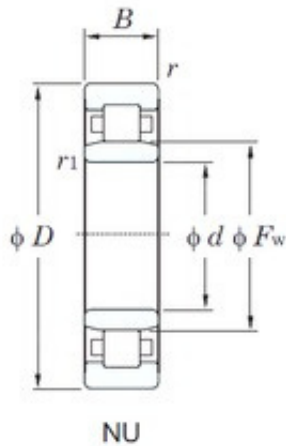
Bearing No. NU1008

| | |
|------------|----------|
| C | 15 mm |
| d | 40 mm |
| D | 68 mm |
| B | 15 mm |
| B2 | - |
| Cu | 3.10 |
| Ew | - |
| d1 | - |
| B1 | - |
| Cr | 31.2 |
| Fw | 47 mm |
| C0r | 25.7 |
| r min. | 1 mm |
| Weight | 0.223 Kg |
| r(min) | 1 |
| da(min) | - |
| db(min) | 44 |
| db(max) | 46 |
| dc(min) | - |
| r1(min) | 0.6 |
| dd(min) | - |
| Da(max) | 63 |
| Db(max) | - |
| Db(min) | - |
| r1 min. | 0.6 mm |
| ra(max) | 1 |
| rb(max) | 0.6 |
| Oil lub. | 12000 |
| Size (mm) | 40x68x15 |
| Width (mm) | 15 |



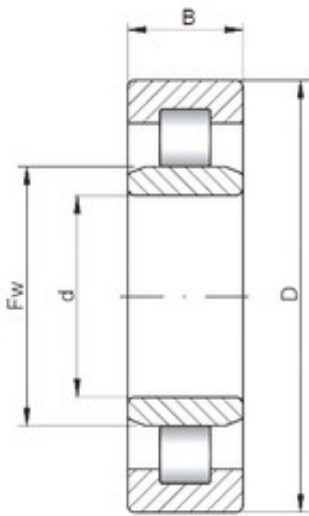
Bearing No. NU1009

| | |
|-------------------------------|------------|
| d | 45 mm |
| D | 75 mm |
| B | 16 mm |
| C | 16 mm |
| Fw | 52,5 mm |
| Weight | 0,26 Kg |
| Size (mm) | 45x75x16 |
| Width (mm) | 16 |
| Bearing number | NU1009 |
| Bore Diameter (mm) | 45 |
| Outer Diameter (mm) | 75 |
| (Grease) Lubrication Speed | 6500 r/min |
| Basic dynamic load rating (C) | 23,8 kN |
| Basic static load rating (C0) | 23,2 kN |



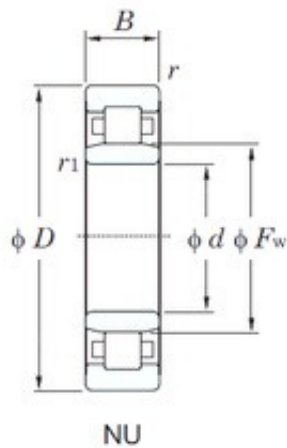
Bearing No. NU1010

| | |
|------------|----------|
| C | 16 mm |
| d | 50 mm |
| D | 80 mm |
| B | 16 mm |
| B2 | - |
| Cu | 4.80 |
| Ew | - |
| d1 | - |
| B1 | - |
| Cr | 42.2 |
| Fw | 57.5 mm |
| C0r | 36.8 |
| r min. | 1 mm |
| Weight | 0.306 Kg |
| r(min) | 1 |
| da(min) | - |
| db(min) | 54 |
| db(max) | 57 |
| dc(min) | - |
| r1(min) | 0.6 |
| dd(min) | - |
| Da(max) | 75 |
| Db(max) | - |
| Db(min) | - |
| r1 min. | 0.6 mm |
| ra(max) | 1 |
| rb(max) | 0.6 |
| Oil lub. | 9900 |
| Size (mm) | 50x80x16 |
| Width (mm) | 16 |



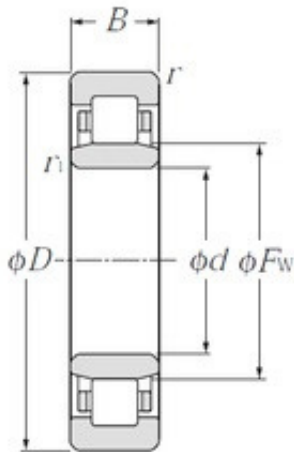
Bearing No. NU1011

| | |
|-------------------------------|------------|
| d | 55 mm |
| D | 90 mm |
| B | 18 mm |
| C | 18 mm |
| Fw | 64,5 mm |
| Weight | 0,445 Kg |
| Size (mm) | 55x90x18 |
| Width (mm) | 18 |
| Bearing number | NU1011 |
| Bore Diameter (mm) | 55 |
| Outer Diameter (mm) | 90 |
| (Grease) Lubrication Speed | 7600 r/min |
| Basic dynamic load rating (C) | 37,4 kN |
| Basic static load rating (C0) | 43,8 kN |



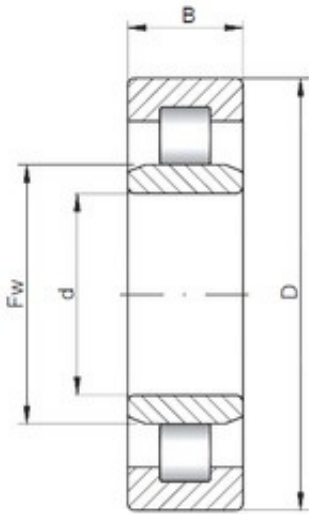
Bearing No. NU1012

| | |
|------------|----------|
| C | 18 mm |
| d | 60 mm |
| D | 95 mm |
| B | 18 mm |
| B2 | - |
| Cu | 6.75 |
| Ew | - |
| d1 | - |
| B1 | - |
| Cr | 53.0 |
| Fw | 69.5 mm |
| C0r | 50.0 |
| r min. | 1.1 mm |
| Weight | 0.477 Kg |
| r(min) | 1.1 |
| da(min) | - |
| db(min) | 65 |
| db(max) | 68 |
| dc(min) | - |
| r1(min) | 1 |
| dd(min) | - |
| Da(max) | 88.5 |
| Db(max) | - |
| Db(min) | - |
| r1 min. | 1 mm |
| ra(max) | 1 |
| rb(max) | 1 |
| Oil lub. | 8300 |
| Size (mm) | 60x95x18 |
| Width (mm) | 18 |



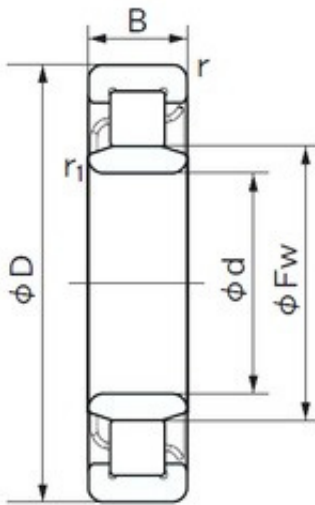
Bearing No. NU1013

| | |
|----------------|-----------------|
| F | 74.5 mm |
| E | 90.5 mm |
| d | 65 mm |
| D | 100 mm |
| B | 18 mm |
| C | 18 mm |
| Fw | 74,5 mm |
| db min | 76 mm |
| Da max | 93.5 mm |
| ra max | 1 mm |
| rs min | 1.1 mm |
| da max | 73 mm |
| da min | 70 mm |
| Weight | 0,485 Kg |
| r min. | 1,1 mm |
| r1 min. | 1 mm |
| r1s min | 1 mm |
| r1a max | 1 mm |
| flanges: | (2) Outer Ring |
| Category | Roller Bearings |
| Inventory | 1.0 |
| Size (mm) | 65x100x18 |
| Width (mm) | 18 |
| Nlim (oil) | 8,200 rpm |
| bore type: | Straight |
| maximum rpm: | 8200 rpm |
| Product Group | B04144 |
| closure type: | Open |
| Nlim (grease) | 7,000 rpm |
| fillet radius: | 1 mm |
| | |



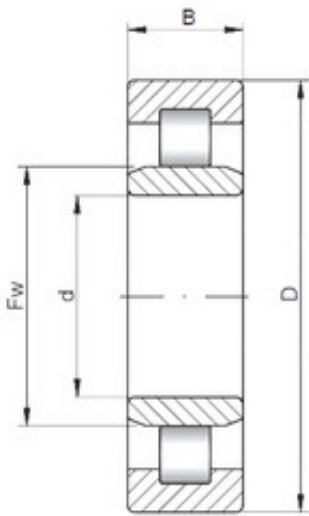
Bearing No. NU1014

| | |
|-------------------------------|------------|
| d | 70 mm |
| D | 110 mm |
| B | 20 mm |
| C | 20 mm |
| Fw | 80 mm |
| Weight | 0,702 Kg |
| Size (mm) | 70x110x20 |
| Width (mm) | 20 |
| Bearing number | NU1014 |
| Bore Diameter (mm) | 70 |
| Outer Diameter (mm) | 110 |
| (Grease) Lubrication Speed | 6100 r/min |
| Basic dynamic load rating (C) | 57,9 kN |
| Basic static load rating (C0) | 70,4 kN |



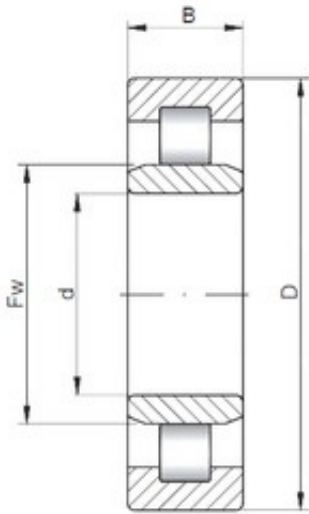
Bearing No. NU 1015

| | |
|-------------------------------|------------|
| d | 75 mm |
| D | 115 mm |
| B | 20 mm |
| Fw | 85 mm |
| r min. | 1.1 mm |
| Weight | 0.745 Kg |
| r1 min. | 1 mm |
| Size (mm) | 75x115x20 |
| Width (mm) | 20 |
| Bearing number | NU 1015 |
| Bore Diameter (mm) | 75 |
| Outer Diameter (mm) | 115 |
| (Grease) Lubrication Speed | 5600 r/min |
| Basic dynamic load rating (C) | 57,5 kN |
| Basic static load rating (C0) | 71 kN |



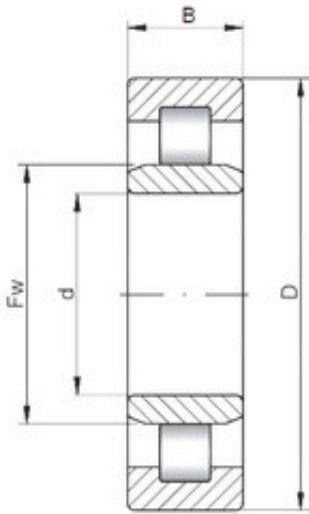
Bearing No. NU1016

| | |
|-------------------------------|------------|
| d | 80 mm |
| D | 125 mm |
| B | 22 mm |
| C | 22 mm |
| Fw | 91,5 mm |
| Weight | 0,994 Kg |
| Size (mm) | 80x125x22 |
| Width (mm) | 22 |
| Bearing number | NU1016 |
| Bore Diameter (mm) | 80 |
| Outer Diameter (mm) | 125 |
| (Grease) Lubrication Speed | 5300 r/min |
| Basic dynamic load rating (C) | 69,3 kN |
| Basic static load rating (C0) | 86,4 kN |



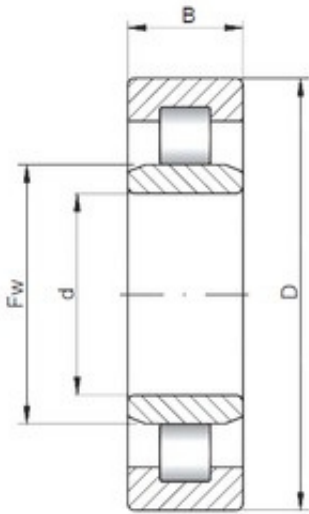
Bearing No. NU1017

| | |
|-------------------------------|------------|
| d | 85 mm |
| D | 130 mm |
| B | 22 mm |
| C | 22 mm |
| Fw | 96,5 mm |
| Weight | 1,04 Kg |
| Size (mm) | 85x130x22 |
| Width (mm) | 22 |
| Bearing number | NU1017 |
| Bore Diameter (mm) | 85 |
| Outer Diameter (mm) | 130 |
| (Grease) Lubrication Speed | 5100 r/min |
| Basic dynamic load rating (C) | 71,4 kN |
| Basic static load rating (C0) | 91,2 kN |



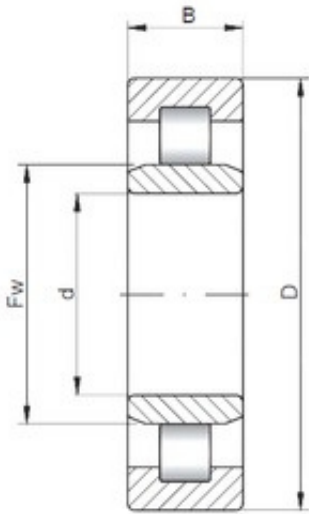
Bearing No. NU2203 E

| | |
|-------------------------------|-------------|
| d | 17 mm |
| D | 40 mm |
| B | 16 mm |
| C | 16 mm |
| Fw | 22,1 mm |
| Weight | 0,092 Kg |
| Size (mm) | 17x40x16 |
| Width (mm) | 16 |
| Bearing number | NU2203 E |
| Bore Diameter (mm) | 17 |
| Outer Diameter (mm) | 40 |
| (Grease) Lubrication Speed | 16000 r/min |
| Basic dynamic load rating (C) | 24 kN |
| Basic static load rating (C0) | 22 kN |



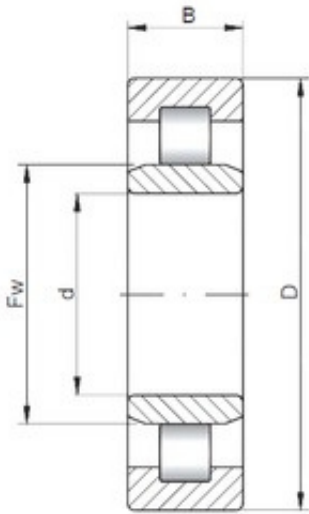
Bearing No. NU2204 E

| | |
|-------------------------------|-------------|
| d | 20 mm |
| D | 47 mm |
| B | 18 mm |
| C | 18 mm |
| Fw | 26,5 mm |
| Weight | 0,146 Kg |
| Size (mm) | 20x47x18 |
| Width (mm) | 18 |
| Bearing number | NU2204 E |
| Bore Diameter (mm) | 20 |
| Outer Diameter (mm) | 47 |
| (Grease) Lubrication Speed | 13000 r/min |
| Basic dynamic load rating (C) | 30,6 kN |
| Basic static load rating (C0) | 28,3 kN |



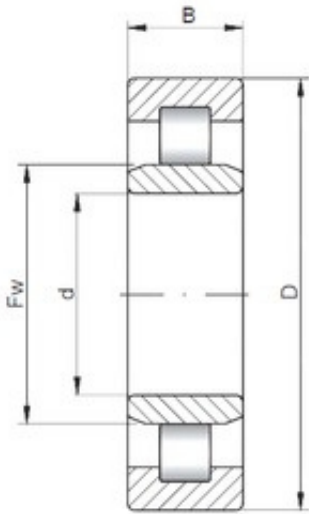
Bearing No. NU2205 E

| | |
|-------------------------------|-------------|
| d | 25 mm |
| D | 52 mm |
| B | 18 mm |
| C | 18 mm |
| Fw | 31,5 mm |
| Weight | 0,166 Kg |
| Size (mm) | 25x52x18 |
| Width (mm) | 18 |
| Bearing number | NU2205 E |
| Bore Diameter (mm) | 25 |
| Outer Diameter (mm) | 52 |
| (Grease) Lubrication Speed | 12000 r/min |
| Basic dynamic load rating (C) | 34,9 kN |
| Basic static load rating (C0) | 34,6 kN |



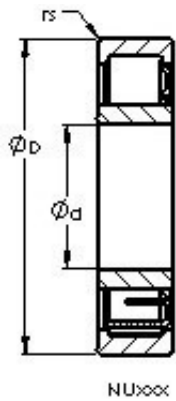
Bearing No. NU2206 E

| | |
|-------------------------------|------------|
| d | 30 mm |
| D | 62 mm |
| B | 20 mm |
| C | 20 mm |
| Fw | 37,5 mm |
| Weight | 0,262 Kg |
| Size (mm) | 30x62x20 |
| Width (mm) | 20 |
| Bearing number | NU2206 E |
| Bore Diameter (mm) | 30 |
| Outer Diameter (mm) | 62 |
| (Grease) Lubrication Speed | 9700 r/min |
| Basic dynamic load rating (C) | 48,9 kN |
| Basic static load rating (C0) | 49,8 kN |



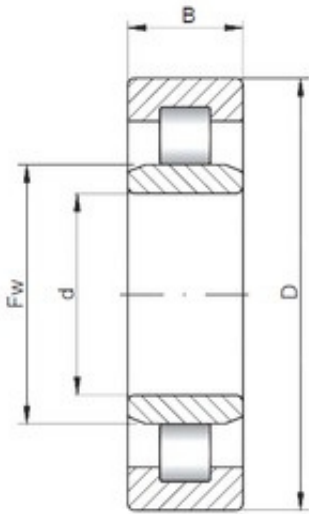
Bearing No. NU2207 E

| | |
|-------------------------------|------------|
| d | 35 mm |
| D | 72 mm |
| B | 23 mm |
| C | 23 mm |
| Fw | 44 mm |
| Weight | 0,404 Kg |
| Size (mm) | 35x72x23 |
| Width (mm) | 23 |
| Bearing number | NU2207 E |
| Bore Diameter (mm) | 35 |
| Outer Diameter (mm) | 72 |
| (Grease) Lubrication Speed | 8300 r/min |
| Basic dynamic load rating (C) | 61,6 kN |
| Basic static load rating (C0) | 65,3 kN |



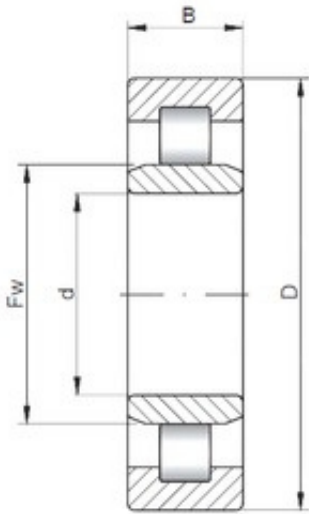
Bearing No. NU2208 E

| | |
|--|-----------------------------------|
| Material | 52100 Chrome steel, or equivalent |
| Size (mm) | 40x80x23 |
| Precision | RBEC 1 |
| Width (B) | 23.0000 |
| Weight (g) | 501.00 |
| Width (mm) | 23 |
| Bearing Type | NU |
| Bore Dia (d) | 40.0000 |
| Outer Dia (D) | 80.0000 |
| Bearing number | NU2208 E |
| Radius (min) (rs) | 1.100 |
| Bore Diameter (mm) | 40 |
| Standard Clearance | C0 |
| Outer Diameter (mm) | 80 |
| Static Load Rating (Cor) | 74,800 |
| Dynamic Load Rating (Cr) | 70,300 |
| Max Speed (Oil) (X1000 RPM) | 9 |
| Max Speed (Grease) (X1000 RPM) | 8 |
| Max. Shaft Shoulder Dia. Inner (Li) | 49.5 |
| Min. Housing Shoulder Dia., Outer (Lo) | 71.5 |



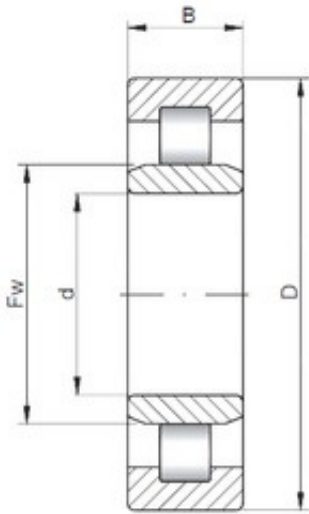
Bearing No. NU2209 E

| | |
|-------------------------------|------------|
| d | 45 mm |
| D | 85 mm |
| B | 23 mm |
| C | 23 mm |
| Fw | 54,5 mm |
| Weight | 0,536 Kg |
| Size (mm) | 45x85x23 |
| Width (mm) | 23 |
| Bearing number | NU2209 E |
| Bore Diameter (mm) | 45 |
| Outer Diameter (mm) | 85 |
| (Grease) Lubrication Speed | 6900 r/min |
| Basic dynamic load rating (C) | 76,1 kN |
| Basic static load rating (C0) | 84,6 kN |



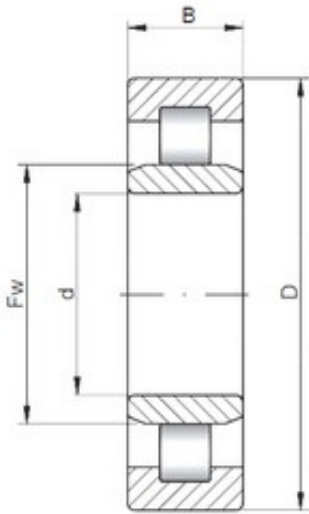
Bearing No. NU2210 E

| | |
|-------------------------------|------------|
| d | 50 mm |
| D | 90 mm |
| B | 23 mm |
| C | 23 mm |
| Fw | 59,5 mm |
| Weight | 0,58 Kg |
| Size (mm) | 50x90x23 |
| Width (mm) | 23 |
| Bearing number | NU2210 E |
| Bore Diameter (mm) | 50 |
| Outer Diameter (mm) | 90 |
| (Grease) Lubrication Speed | 6400 r/min |
| Basic dynamic load rating (C) | 79,7 kN |
| Basic static load rating (C0) | 91,5 kN |



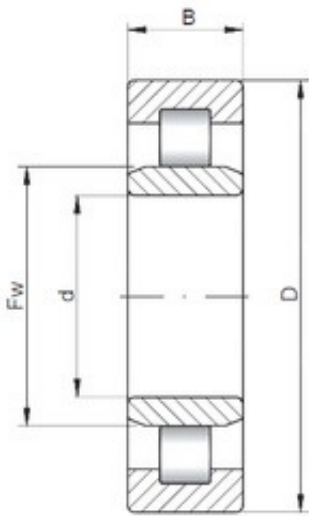
Bearing No. NU2211 E

| | |
|-------------------------------|------------|
| d | 55 mm |
| D | 100 mm |
| B | 25 mm |
| C | 25 mm |
| Fw | 66 mm |
| Weight | 0,806 Kg |
| Size (mm) | 55x100x25 |
| Width (mm) | 25 |
| Bearing number | NU2211 E |
| Bore Diameter (mm) | 55 |
| Outer Diameter (mm) | 100 |
| (Grease) Lubrication Speed | 5800 r/min |
| Basic dynamic load rating (C) | 101 kN |
| Basic static load rating (C0) | 122 kN |



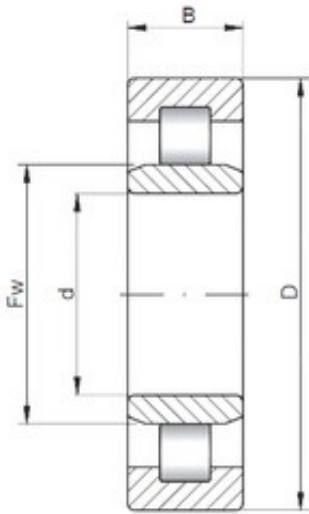
Bearing No. NU2212 E

| | |
|-------------------------------|------------|
| d | 60 mm |
| D | 110 mm |
| B | 28 mm |
| C | 28 mm |
| Fw | 72 mm |
| Weight | 1,09 Kg |
| Size (mm) | 60x110x28 |
| Width (mm) | 28 |
| Bearing number | NU2212 E |
| Bore Diameter (mm) | 60 |
| Outer Diameter (mm) | 110 |
| (Grease) Lubrication Speed | 5200 r/min |
| Basic dynamic load rating (C) | 131 kN |
| Basic static load rating (C0) | 157 kN |



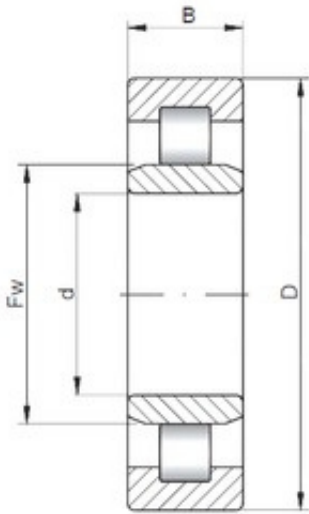
Bearing No. NU2213 E

| | |
|-------------------------------|------------|
| d | 65 mm |
| D | 120 mm |
| B | 31 mm |
| C | 31 mm |
| Fw | 78,5 mm |
| Weight | 1,45 Kg |
| Size (mm) | 65x120x31 |
| Width (mm) | 31 |
| Bearing number | NU2213 E |
| Bore Diameter (mm) | 65 |
| Outer Diameter (mm) | 120 |
| (Grease) Lubrication Speed | 4800 r/min |
| Basic dynamic load rating (C) | 149 kN |
| Basic static load rating (C0) | 181 kN |



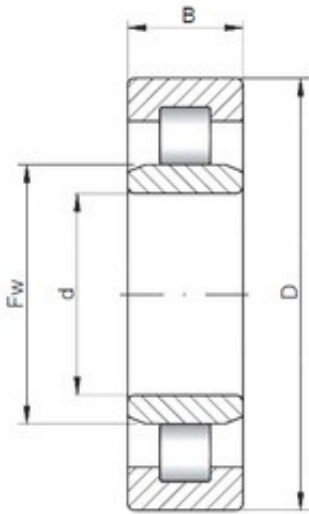
Bearing No. NU2214 E

| | |
|-------------------------------|------------|
| d | 70 mm |
| D | 125 mm |
| B | 31 mm |
| C | 31 mm |
| Fw | 83,5 mm |
| Weight | 1,53 Kg |
| Size (mm) | 70x125x31 |
| Width (mm) | 31 |
| Bearing number | NU2214 E |
| Bore Diameter (mm) | 70 |
| Outer Diameter (mm) | 125 |
| (Grease) Lubrication Speed | 4500 r/min |
| Basic dynamic load rating (C) | 156 kN |
| Basic static load rating (C0) | 194 kN |



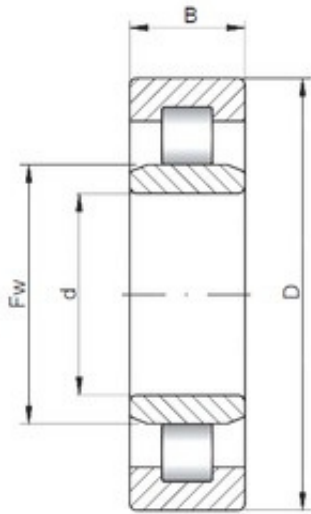
Bearing No. NU2215 E

| | |
|-------------------------------|------------|
| d | 75 mm |
| D | 130 mm |
| B | 31 mm |
| C | 31 mm |
| Fw | 88,5 mm |
| Weight | 1,61 Kg |
| Size (mm) | 75x130x31 |
| Width (mm) | 31 |
| Bearing number | NU2215 E |
| Bore Diameter (mm) | 75 |
| Outer Diameter (mm) | 130 |
| (Grease) Lubrication Speed | 4300 r/min |
| Basic dynamic load rating (C) | 162 kN |
| Basic static load rating (C0) | 207 kN |



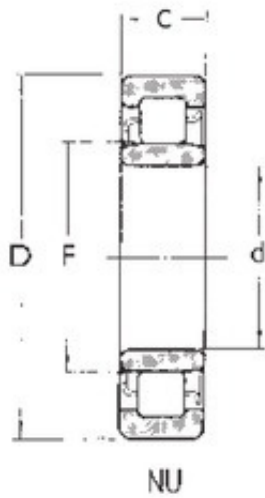
Bearing No. NU2304

| | |
|---------------------|----------|
| D | 52 mm |
| d | 20 mm |
| B | 21 mm |
| C | 21 mm |
| Size (mm) | 20x52x21 |
| Width (mm) | 21 |
| Bearing number | NU2304 |
| Bore Diameter (mm) | 20 |
| Outer Diameter (mm) | 52 |



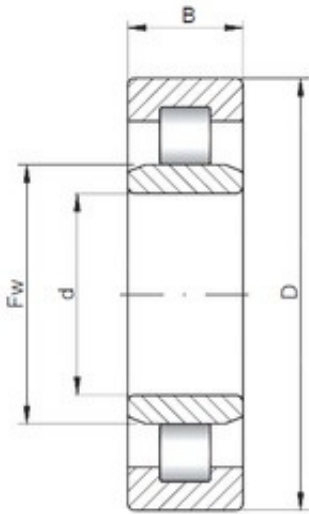
Bearing No. NU2305

| | |
|---------------------|----------|
| D | 62 mm |
| d | 25 mm |
| B | 24 mm |
| C | 24 mm |
| Size (mm) | 25x62x24 |
| Width (mm) | 24 |
| Bearing number | NU2305 |
| Bore Diameter (mm) | 25 |
| Outer Diameter (mm) | 62 |



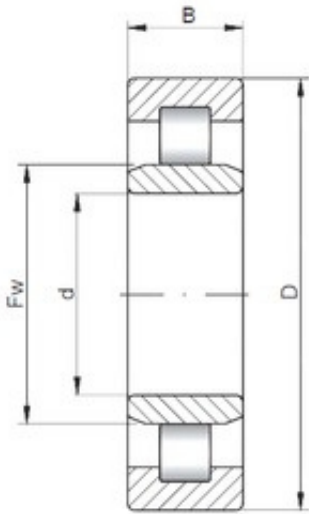
Bearing No. NU2306

| | |
|-------------------------------|------------|
| F | 42 mm |
| d | 30 mm |
| D | 72 mm |
| B | 27 mm |
| C | 27 mm |
| Weight | 0,514 Kg |
| Size (mm) | 30x72x27 |
| Width (mm) | 27 |
| Bearing number | NU2306 |
| Bore Diameter (mm) | 30 |
| Outer Diameter (mm) | 72 |
| (Grease) Lubrication Speed | 7500 r/min |
| Basic dynamic load rating (C) | 51,5 kN |
| Basic static load rating (C0) | 51 kN |



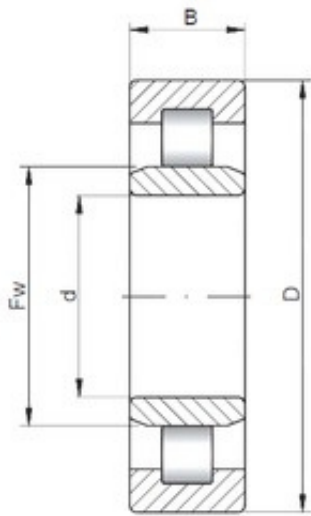
Bearing No. NU2307

| | |
|---------------------|----------|
| D | 80 mm |
| d | 35 mm |
| B | 31 mm |
| C | 31 mm |
| Size (mm) | 35x80x31 |
| Width (mm) | 31 |
| Bearing number | NU2307 |
| Bore Diameter (mm) | 35 |
| Outer Diameter (mm) | 80 |



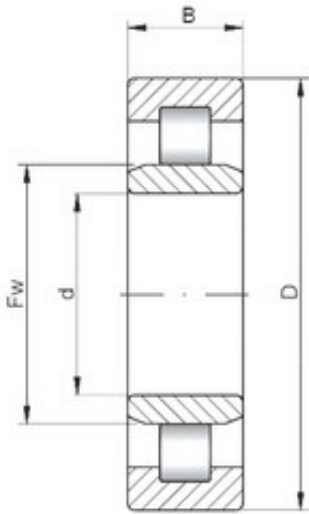
Bearing No. NU2308

| | |
|---------------------|----------|
| D | 90 mm |
| d | 40 mm |
| B | 33 mm |
| C | 33 mm |
| Size (mm) | 40x90x33 |
| Width (mm) | 33 |
| Bearing number | NU2308 |
| Bore Diameter (mm) | 40 |
| Outer Diameter (mm) | 90 |



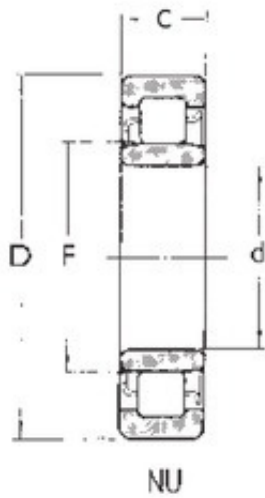
Bearing No. NU2309

| | |
|---------------------|-----------|
| D | 100 mm |
| d | 45 mm |
| B | 36 mm |
| C | 36 mm |
| Size (mm) | 45x100x36 |
| Width (mm) | 36 |
| Bearing number | NU2309 |
| Bore Diameter (mm) | 45 |
| Outer Diameter (mm) | 100 |



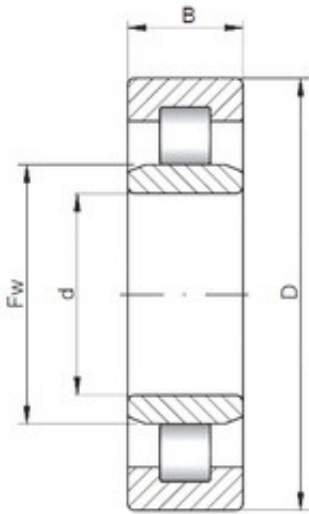
Bearing No. NU2310

| | |
|---------------------|-----------|
| D | 110 mm |
| d | 50 mm |
| B | 40 mm |
| C | 40 mm |
| Size (mm) | 50x110x40 |
| Width (mm) | 40 |
| Bearing number | NU2310 |
| Bore Diameter (mm) | 50 |
| Outer Diameter (mm) | 110 |



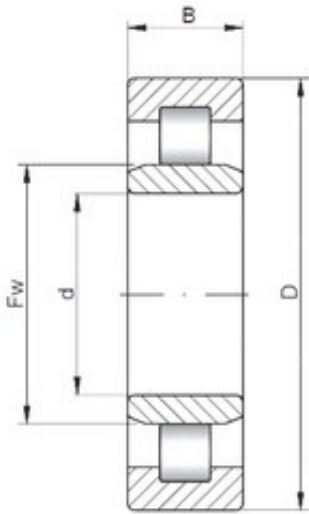
Bearing No. NU2311

| | |
|-------------------------------|------------|
| F | 70,5 mm |
| d | 55 mm |
| D | 120 mm |
| B | 43 mm |
| C | 43 mm |
| Weight | 2,16 Kg |
| Size (mm) | 55x120x43 |
| Width (mm) | 43 |
| Bearing number | NU2311 |
| Bore Diameter (mm) | 55 |
| Outer Diameter (mm) | 120 |
| (Grease) Lubrication Speed | 4500 r/min |
| Basic dynamic load rating (C) | 148 kN |
| Basic static load rating (C0) | 162 kN |



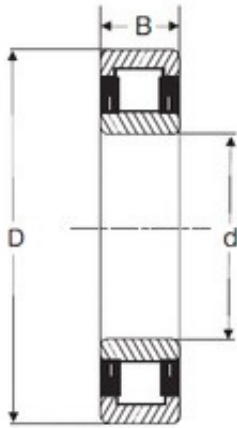
Bearing No. NU2312

| | |
|---------------------|-----------|
| D | 130 mm |
| d | 60 mm |
| B | 46 mm |
| C | 46 mm |
| Size (mm) | 60x130x46 |
| Width (mm) | 46 |
| Bearing number | NU2312 |
| Bore Diameter (mm) | 60 |
| Outer Diameter (mm) | 130 |



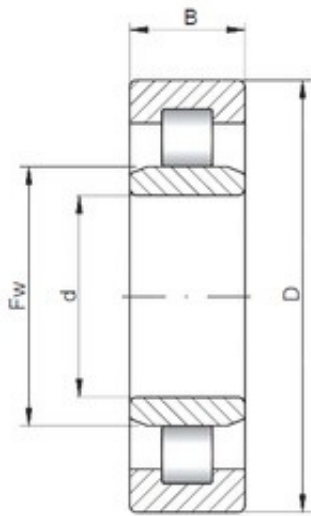
Bearing No. NU2313

| | |
|---------------------|-----------|
| D | 140 mm |
| d | 65 mm |
| B | 48 mm |
| C | 48 mm |
| Size (mm) | 65x140x48 |
| Width (mm) | 48 |
| Bearing number | NU2313 |
| Bore Diameter (mm) | 65 |
| Outer Diameter (mm) | 140 |



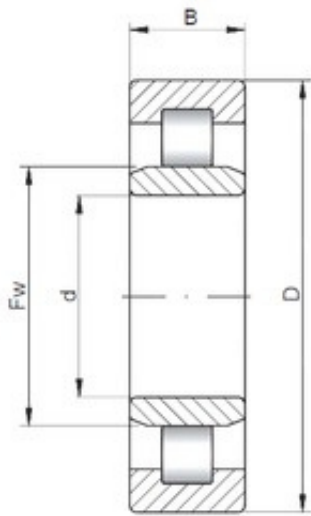
Bearing No. NU 2314

| | |
|---------------------|-----------|
| D | 150 mm |
| d | 70 mm |
| B | 51 mm |
| C | 51 mm |
| Size (mm) | 70x150x51 |
| Width (mm) | 51 |
| Bearing number | NU 2314 |
| Bore Diameter (mm) | 70 |
| Outer Diameter (mm) | 150 |



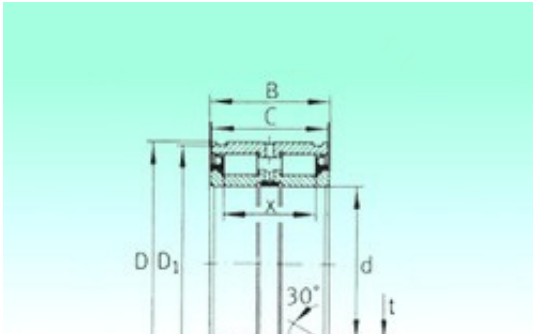
Bearing No. NU2315

| | |
|---------------------|-----------|
| D | 160 mm |
| d | 75 mm |
| B | 55 mm |
| C | 55 mm |
| Size (mm) | 75x160x55 |
| Width (mm) | 55 |
| Bearing number | NU2315 |
| Bore Diameter (mm) | 75 |
| Outer Diameter (mm) | 160 |



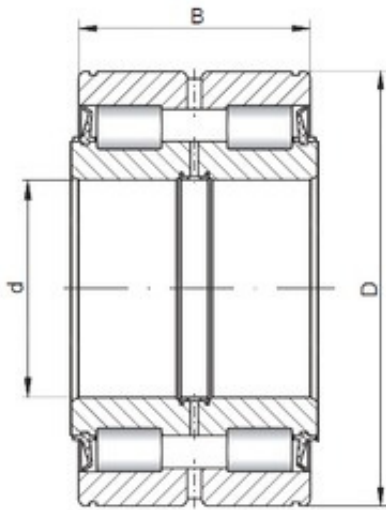
Bearing No. NU2316

| | |
|---------------------|-----------|
| D | 170 mm |
| d | 80 mm |
| B | 58 mm |
| C | 58 mm |
| Size (mm) | 80x170x58 |
| Width (mm) | 58 |
| Bearing number | NU2316 |
| Bore Diameter (mm) | 80 |
| Outer Diameter (mm) | 170 |



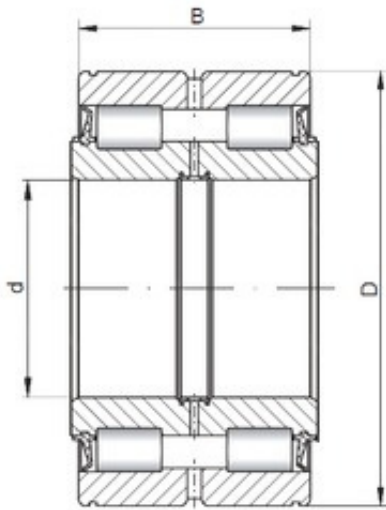
Bearing No. SL045008-PP

| | |
|-------------------------------|-------------|
| C | 37 mm |
| d | 40 mm |
| D | 68 mm |
| B | 38 mm |
| t | 0,8 mm |
| x | 28,5 mm |
| m | 2,7 mm |
| C1 | 32,2 mm |
| D1 | 65,8 mm |
| Weight | 0,56 Kg |
| Size (mm) | 40x68x38 |
| Width (mm) | 38 |
| Bearing number | SL045008-PP |
| Bore Diameter (mm) | 40 |
| Outer Diameter (mm) | 68 |
| Basic dynamic load rating (C) | 76 kN |
| Basic static load rating (C0) | 103 kN |



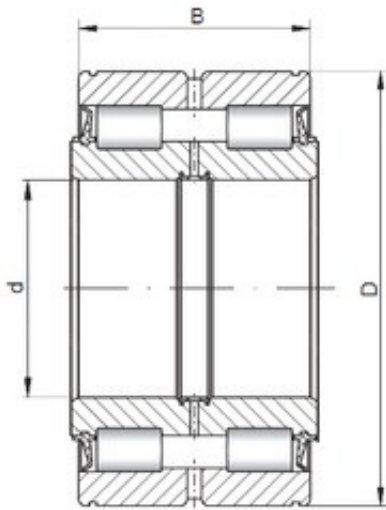
Bearing No. SL045009

| | |
|---------------------|----------|
| D | 75 mm |
| d | 45 mm |
| B | 40 mm |
| C | 40 mm |
| Size (mm) | 45x75x40 |
| Width (mm) | 40 |
| Bearing number | SL045009 |
| Bore Diameter (mm) | 45 |
| Outer Diameter (mm) | 75 |



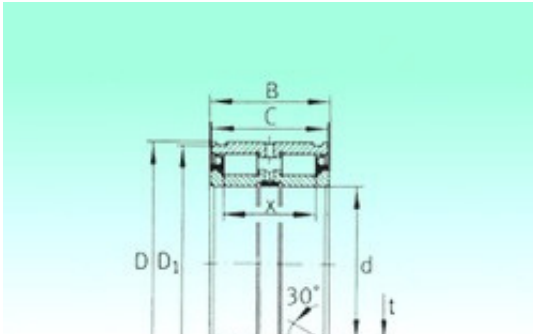
Bearing No. SL045010

| | |
|---------------------|----------|
| D | 80 mm |
| d | 50 mm |
| B | 40 mm |
| C | 40 mm |
| Size (mm) | 50x80x40 |
| Width (mm) | 40 |
| Bearing number | SL045010 |
| Bore Diameter (mm) | 50 |
| Outer Diameter (mm) | 80 |



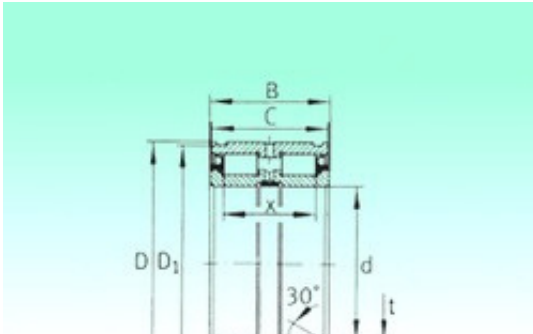
Bearing No. SL045011

| | |
|---------------------|----------|
| D | 90 mm |
| d | 55 mm |
| B | 46 mm |
| C | 46 mm |
| Size (mm) | 55x90x46 |
| Width (mm) | 46 |
| Bearing number | SL045011 |
| Bore Diameter (mm) | 55 |
| Outer Diameter (mm) | 90 |



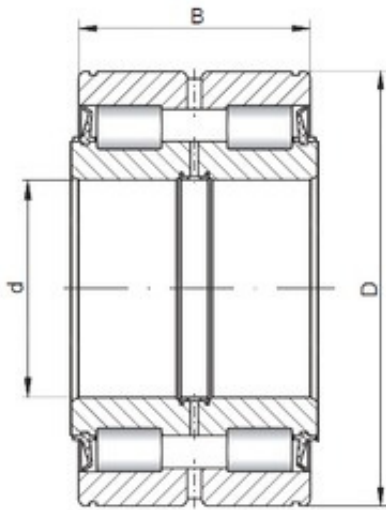
Bearing No. SL045012-PP

| | |
|-------------------------------|-------------|
| C | 45 mm |
| d | 60 mm |
| D | 95 mm |
| B | 46 mm |
| t | 1 mm |
| x | 36 mm |
| m | 3,2 mm |
| C1 | 40,2 mm |
| D1 | 92,4 mm |
| Weight | 1,26 Kg |
| Size (mm) | 60x95x46 |
| Width (mm) | 46 |
| Bearing number | SL045012-PP |
| Bore Diameter (mm) | 60 |
| Outer Diameter (mm) | 95 |
| Basic dynamic load rating (C) | 120 kN |
| Basic static load rating (C0) | 189 kN |



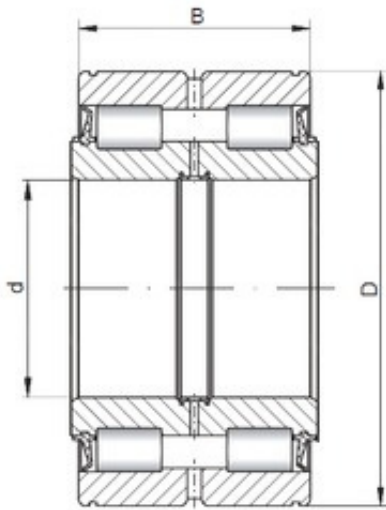
Bearing No. SL045013-PP

| | |
|-------------------------------|-------------|
| C | 45 mm |
| d | 65 mm |
| D | 100 mm |
| B | 46 mm |
| t | 1 mm |
| x | 36 mm |
| m | 3,2 mm |
| C1 | 40,2 mm |
| D1 | 97,4 mm |
| Weight | 1,33 Kg |
| Size (mm) | 65x100x46 |
| Width (mm) | 46 |
| Bearing number | SL045013-PP |
| Bore Diameter (mm) | 65 |
| Outer Diameter (mm) | 100 |
| Basic dynamic load rating (C) | 125 kN |
| Basic static load rating (C0) | 203 kN |



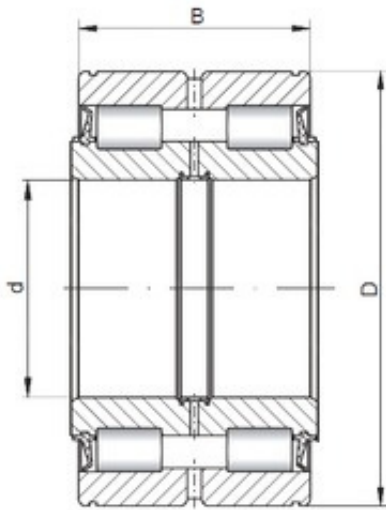
Bearing No. SL045014

| | |
|---------------------|-----------|
| D | 110 mm |
| d | 70 mm |
| B | 54 mm |
| C | 54 mm |
| Size (mm) | 70x110x54 |
| Width (mm) | 54 |
| Bearing number | SL045014 |
| Bore Diameter (mm) | 70 |
| Outer Diameter (mm) | 110 |



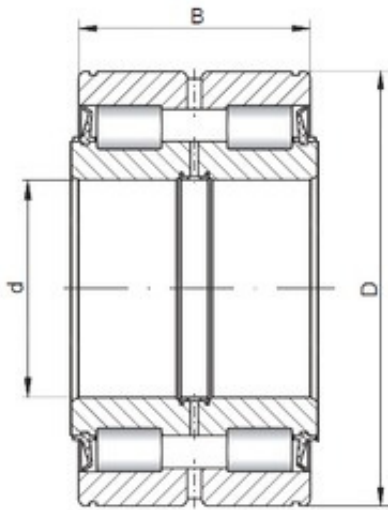
Bearing No. SL045015

| | |
|---------------------|-----------|
| D | 115 mm |
| d | 75 mm |
| B | 54 mm |
| C | 54 mm |
| Size (mm) | 75x115x54 |
| Width (mm) | 54 |
| Bearing number | SL045015 |
| Bore Diameter (mm) | 75 |
| Outer Diameter (mm) | 115 |



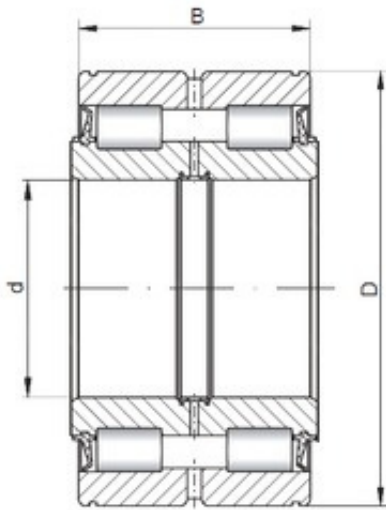
Bearing No. SL045016

| | |
|---------------------|-----------|
| D | 125 mm |
| d | 80 mm |
| B | 60 mm |
| C | 60 mm |
| Size (mm) | 80x125x60 |
| Width (mm) | 60 |
| Bearing number | SL045016 |
| Bore Diameter (mm) | 80 |
| Outer Diameter (mm) | 125 |



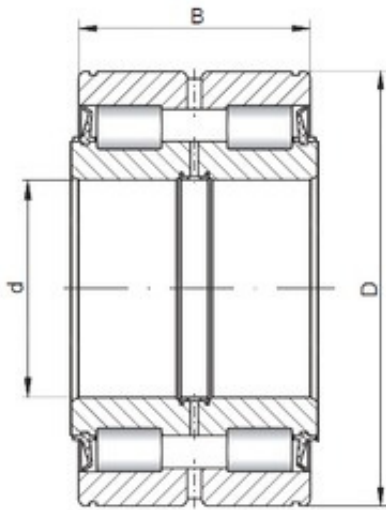
Bearing No. SL045017

| | |
|---------------------|-----------|
| D | 130 mm |
| d | 85 mm |
| B | 60 mm |
| C | 60 mm |
| Size (mm) | 85x130x60 |
| Width (mm) | 60 |
| Bearing number | SL045017 |
| Bore Diameter (mm) | 85 |
| Outer Diameter (mm) | 130 |



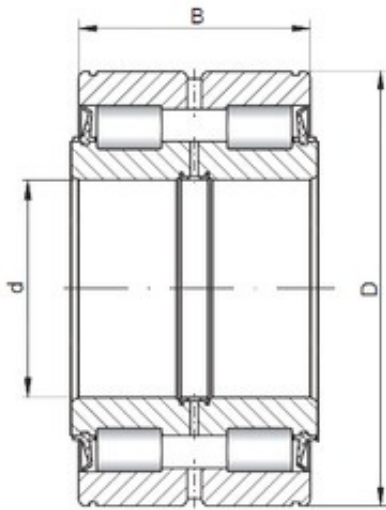
Bearing No. SL045018

| | |
|---------------------|-----------|
| D | 140 mm |
| d | 90 mm |
| B | 67 mm |
| C | 67 mm |
| Size (mm) | 90x140x67 |
| Width (mm) | 67 |
| Bearing number | SL045018 |
| Bore Diameter (mm) | 90 |
| Outer Diameter (mm) | 140 |



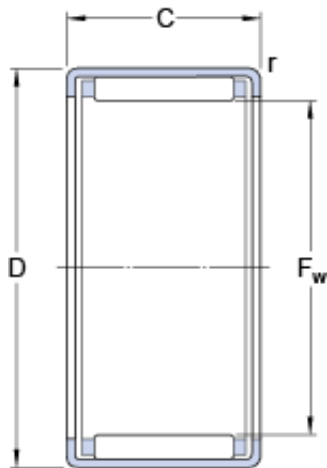
Bearing No. SL045019

| | |
|---------------------|-----------|
| D | 145 mm |
| d | 95 mm |
| B | 67 mm |
| C | 67 mm |
| Size (mm) | 95x145x67 |
| Width (mm) | 67 |
| Bearing number | SL045019 |
| Bore Diameter (mm) | 95 |
| Outer Diameter (mm) | 145 |



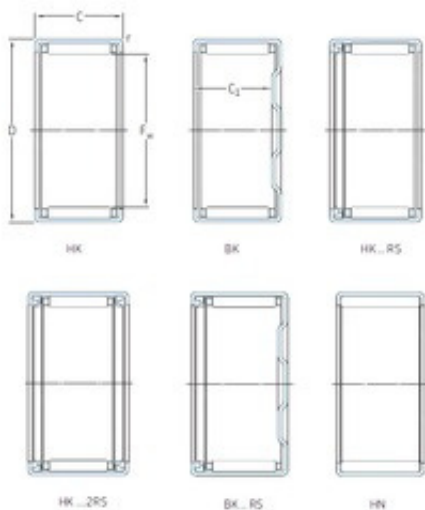
Bearing No. SL045020

| | |
|---------------------|------------|
| D | 150 mm |
| d | 100 mm |
| B | 67 mm |
| C | 67 mm |
| Size (mm) | 100x150x67 |
| Width (mm) | 67 |
| Bearing number | SL045020 |
| Bore Diameter (mm) | 100 |
| Outer Diameter (mm) | 150 |



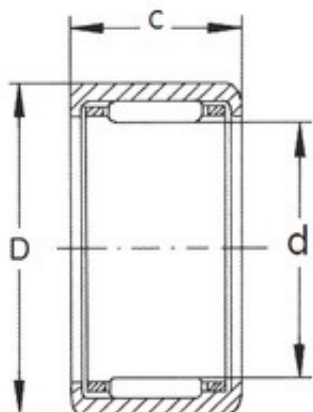
Bearing No. HK 0608

| | |
|-------------------------------|-------------|
| D | 10 mm |
| C | 8 mm |
| r min. | 0.4 mm |
| r - min. | 0.4 mm |
| Category | Bearings |
| Size (mm) | 10x6x8 |
| Inventory | 0.0 |
| Width (mm) | 8 |
| Mass bearing | 0.0021 kg |
| Fw | 6 mm |
| Fw | 6 mm |
| Product Group | B04144 |
| Bearing number | HK 0608 |
| Limiting speed | 22000 r/min |
| Reference speed | 20000 r/min |
| Manufacturer Name | SKF |
| Weight / Kilogram | 0.002 |
| Bore Diameter (mm) | 10 |
| Outer Diameter (mm) | 6 |
| Designation bearing | HK 0608 |
| Minimum Buy Quantity | N/A |
| Basic dynamic load rating C | 2.01 kN |
| Basic dynamic load rating - C | 2 kN |
| Fatigue load limit Pu | 0.18 kN |
| Fatigue load limit - Pu | 0.18 kN |
| Basic static load rating C0 | 1.73 kN |
| Basic static load rating - C0 | 1.7 kN |



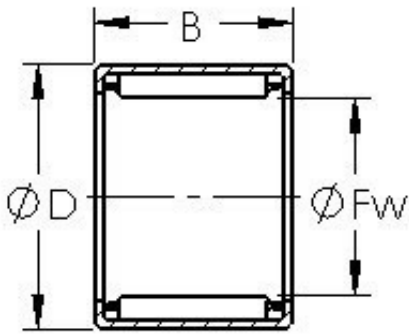
Bearing No. HK0509

| | |
|-------------------------------|-------------|
| D | 9 mm |
| C | 9 mm |
| Fw | 5 mm |
| Weight | 0,002 Kg |
| Size (mm) | 5x9x9 |
| Width (mm) | 9 |
| Bearing number | HK0509 |
| Reference speed | 22000 r/min |
| Bore Diameter (mm) | 5 |
| Outer Diameter (mm) | 9 |
| Fatigue load limit (Pu) | 0,22 |
| Basic dynamic load rating (C) | 2,38 kN |
| Basic static load rating (C0) | 2,08 kN |



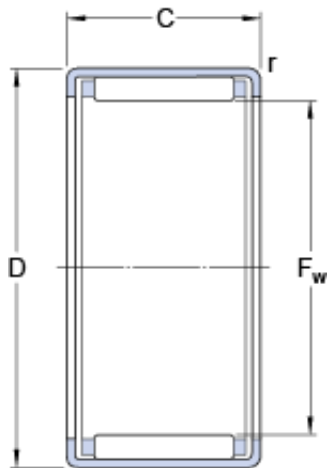
Bearing No. HK0408TN

| | |
|-------------------------------|-------------|
| D | 8 mm |
| d | 4 mm |
| C | 8 mm |
| Weight | 0,0016 Kg |
| Size (mm) | 4x8x8 |
| Width (mm) | 8 |
| Bearing number | HK0408TN |
| Bore Diameter (mm) | 4 |
| Outer Diameter (mm) | 8 |
| (Grease) Lubrication Speed | 24000 r/min |
| Basic dynamic load rating (C) | 1,54 kN |
| Basic static load rating (C0) | 1,07 kN |



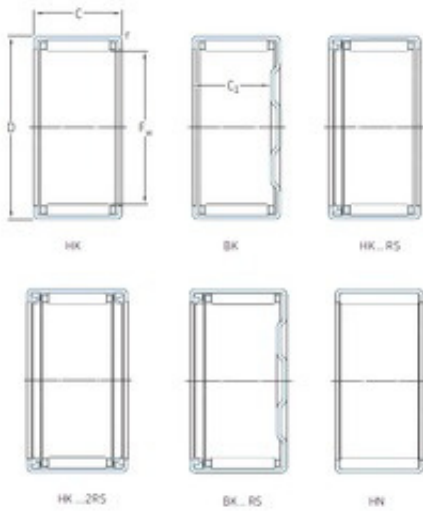
Bearing No. HK0306TN

| | |
|--|-------------------------------------|
| Size (mm) | 3x6.5x6 |
| Width (B) | 6.0000 |
| Width(mm) | 6 |
| Shaft(Fw) | 3.000 |
| Weight(g) | 1.00 |
| BearingType | Cage Retained Rollers |
| Outer Dia (D) | 6.5000 |
| Bearing number | HK0306TN |
| Bore Diameter (mm) | 3 |
| Outer Diameter (mm) | 6,5 |
| Dynamic Load Rating (Cr) | 1,230 |
| Static Load Rating (Cor) | 840 |
| Max Speed (Grease) (X1000 RPM) | 46,000 |
| Material - Drawn cup: Hardened carbon steel alloy, Rollers | 52100 Chrome steel or equivalent |



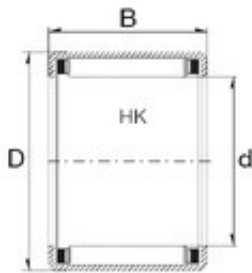
Bearing No. HK 0808

| | |
|-------------------------------|-----------------|
| D | 12 mm |
| C | 8 mm |
| r min. | 0.4 mm |
| r - min. | 0.4 mm |
| Category | Roller Bearings |
| Size (mm) | 12x8x8 |
| Inventory Width (mm) | 12x8x8 |
| Mass bearing | 0.0 |
| Fw | 8 |
| Fw | 0.0027 kg |
| Fw | 8 mm |
| Product Group | 8 mm |
| Bearing number | 8 mm |
| Limiting speed | B04144 |
| Reference speed | HK 0808 |
| Manufacturer Name | 22000 r/min |
| Weight / Kilogram | 19000 r/min |
| Bore Diameter (mm) | SKF |
| Outer Diameter (mm) | 0.007 |
| Designation bearing | 12 |
| Minimum Buy Quantity | 8 |
| Basic dynamic load rating C | HK 0808 |
| Basic dynamic load rating - C | N/A |
| Fatigue load limit Pu | 2.7 kN |
| Fatigue load limit - Pu | 2.7 kN |
| Basic static load rating C0 | 0.285 kN |
| Basic static load rating - C0 | 0.285 kN |
| Basic static load rating C0 | 2.75 kN |
| Basic static load rating - C0 | 2.8 kN |



Bearing No. HK3016

| | |
|-------------------------------|------------|
| D | 37 mm |
| C | 16 mm |
| Fw | 30 mm |
| Weight | 0,031 Kg |
| Size(mm) | 30x37x16 |
| Width (mm) | 16 |
| Bearingnumber | HK3016 |
| Reference speed | 8000 r/min |
| Bore Diameter (mm) | 30 |
| Outer Diameter (mm) | 37 |
| Fatigue load limit (Pu) | 3,4 |
| Basic dynamic load rating (C) | 16,5 kN |
| Basic static load rating (C0) | 29 kN |



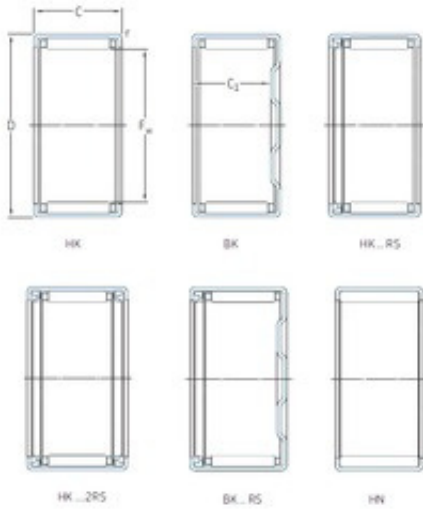
Bearing No. HK2020

| | |
|-------------------------------|----------|
| D | 26 mm |
| d | 20 mm |
| C | 20 mm |
| Size (mm) | 20x26x20 |
| Width (mm) | 20 |
| Bearing number | HK2020 |
| Bore Diameter (mm) | 20 |
| Outer Diameter (mm) | 26 |
| Basic dynamic load rating (C) | 15500 kN |
| Basic static load rating (C0) | 24000 kN |



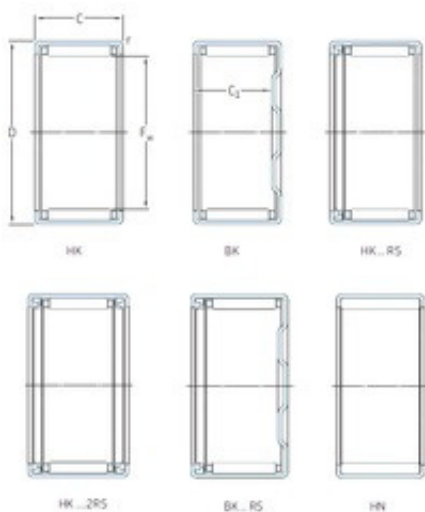
Bearing No. HK1612

| | |
|---------------------|----------|
| D | 22 mm |
| C | 12 mm |
| Fw | 16 mm |
| Size (mm) | 16x22x12 |
| Width (mm) | 12 |
| Bearing number | HK1612 |
| Bore Diameter (mm) | 16 |
| Outer Diameter (mm) | 22 |



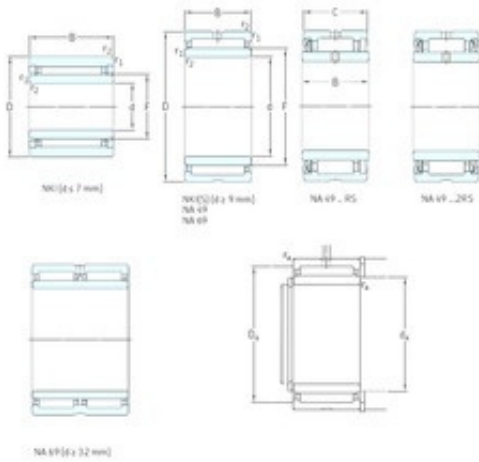
Bearing No. HK1516

| | |
|-------------------------------|-------------|
| D | 21 mm |
| C | 16 mm |
| Fw | 15 mm |
| Weight | 0,015 Kg |
| Size (mm) | 15x21x16 |
| Width (mm) | 16 |
| Bearingnumber | HK1516 |
| Reference speed | 15000 r/min |
| Bore Diameter (mm) | 15 |
| Outer Diameter (mm) | 21 |
| Fatigue load limit (Pu) | 1,7 |
| Basic dynamic load rating (C) | 10,1 kN |
| Basic static load rating (C0) | 14,6 kN |



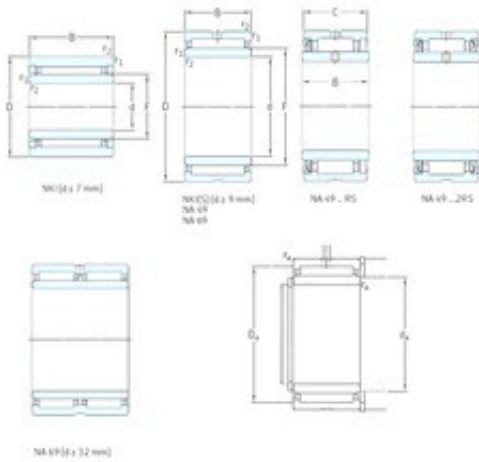
Bearing No. HK1312

| | |
|-------------------------------|-------------|
| D | 19 mm |
| C | 12 mm |
| Fw | 13 mm |
| Weight | 0,01 Kg |
| Size (mm) | 13x19x12 |
| Width (mm) | 12 |
| Bearingnumber | HK1312 |
| Reference speed | 16000 r/min |
| Bore Diameter (mm) | 13 |
| Outer Diameter (mm) | 19 |
| Fatigue load limit (Pu) | 0,915 |
| Basic dynamic load rating (C) | 6,6 kN |
| Basic static load rating (C0) | 8 kN |



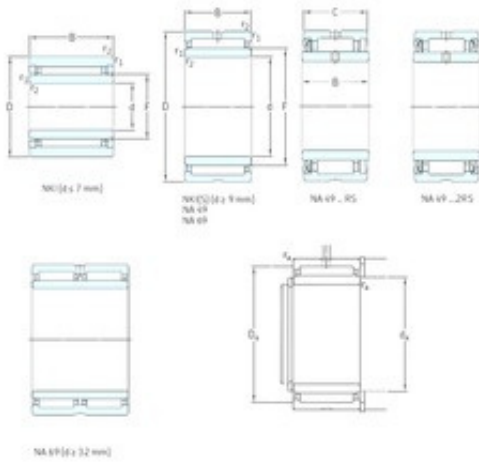
Bearing No. NA4840

| | |
|-------------------------------|------------|
| S | 1,5 mm |
| d | 200 mm |
| F | 220 mm |
| D | 250 mm |
| B | 50 mm |
| C | 50 mm |
| Weight | 5,8 Kg |
| da max | 208 mm |
| r1 min. | 1,5 mm |
| ra max. | 1,5 mm |
| r2 min. | 1,5 mm |
| Da max. | 242 mm |
| Size (mm) | 200x250x50 |
| Width (mm) | 50 |
| Bearing number | NA4840 |
| Reference speed | 1800 r/min |
| Bore Diameter (mm) | 200 |
| Outer Diameter (mm) | 250 |
| Fatigue load limit (Pu) | 75 |
| Basic dynamic load rating (C) | 224 kN |
| Basic static load rating (C0) | 735 kN |



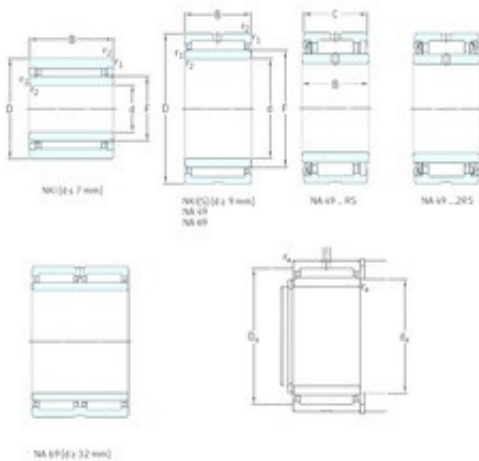
Bearing No. NA4838

| | |
|-------------------------------|------------|
| S | 1,5 mm |
| d | 190 mm |
| F | 210 mm |
| D | 240 mm |
| B | 50 mm |
| C | 50 mm |
| Weight | 5,55 Kg |
| da max | 198 mm |
| r1 min. | 1,5 mm |
| ra max. | 1,5 mm |
| r2 min. | 1,5 mm |
| Da max. | 232 mm |
| Size (mm) | 190x240x50 |
| Width (mm) | 50 |
| Bearing number | NA4838 |
| Reference speed | 1900 r/min |
| Bore Diameter (mm) | 190 |
| Outer Diameter (mm) | 240 |
| Fatigue load limit (Pu) | 73,5 |
| Basic dynamic load rating (C) | 220 kN |
| Basic static load rating (C0) | 710 kN |



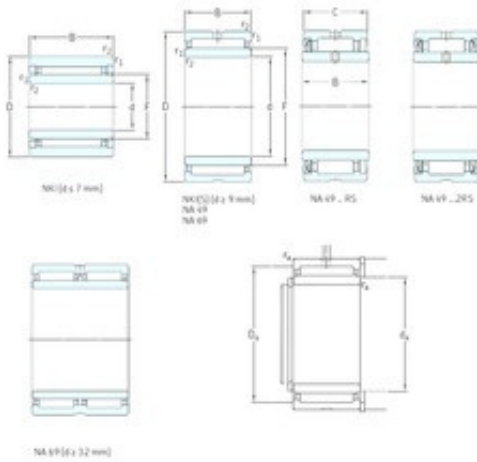
Bearing No. NA4836

| | |
|-------------------------------|------------|
| S | 1,5 mm |
| d | 180 mm |
| F | 195 mm |
| D | 225 mm |
| B | 45 mm |
| C | 45 mm |
| Weight | 4,2 Kg |
| da max | 186,5 mm |
| r1 min. | 1,1 mm |
| ra max. | 1 mm |
| r2 min. | 1,1 mm |
| Da max. | 218,5 mm |
| Size (mm) | 180x225x45 |
| Width (mm) | 45 |
| Bearing number | NA4836 |
| Reference speed | 2000 r/min |
| Bore Diameter (mm) | 180 |
| Outer Diameter (mm) | 225 |
| Fatigue load limit (Pu) | 60 |
| Basic dynamic load rating (C) | 190 kN |
| Basic static load rating (C0) | 570 kN |



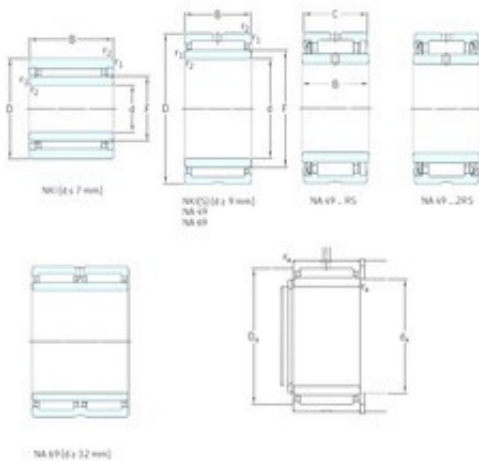
Bearing No. NA4834

| | |
|-------------------------------|------------|
| S | 1,5 mm |
| d | 170 mm |
| F | 185 mm |
| D | 215 mm |
| B | 45 mm |
| C | 45 mm |
| Weight | 3,95 Kg |
| da max | 176,5 mm |
| r1 min. | 1,1 mm |
| ra max. | 1 mm |
| r2 min. | 1,1 mm |
| Da max. | 208,5 mm |
| Size (mm) | 170x215x45 |
| Width (mm) | 45 |
| Bearing number | NA4834 |
| Reference speed | 2200 r/min |
| Bore Diameter (mm) | 170 |
| Outer Diameter (mm) | 215 |
| Fatigue load limit (Pu) | 56 |
| Basic dynamic load rating (C) | 179 kN |
| Basic static load rating (C0) | 520 kN |



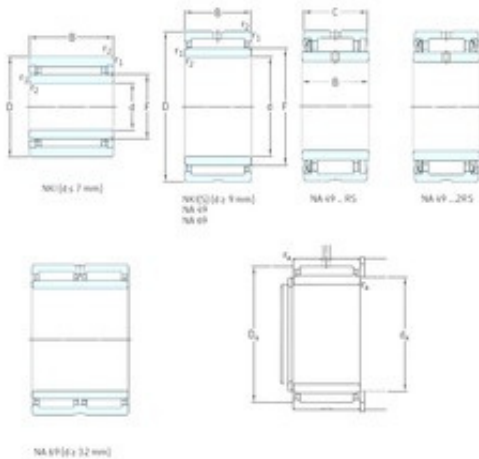
Bearing No. NA4832

| | |
|-------------------------------|------------|
| S | 1,5 mm |
| d | 160 mm |
| F | 175 mm |
| D | 200 mm |
| B | 40 mm |
| C | 40 mm |
| Weight | 2,85 Kg |
| da max | 166,5 mm |
| r1 min. | 1,1 mm |
| ra max. | 1 mm |
| r2 min. | 1,1 mm |
| Da max. | 193,5 mm |
| Size (mm) | 160x200x40 |
| Width (mm) | 40 |
| Bearing number | NA4832 |
| Reference speed | 2200 r/min |
| Bore Diameter (mm) | 160 |
| Outer Diameter (mm) | 200 |
| Fatigue load limit (Pu) | 49 |
| Basic dynamic load rating (C) | 157 kN |
| Basic static load rating (C0) | 450 kN |



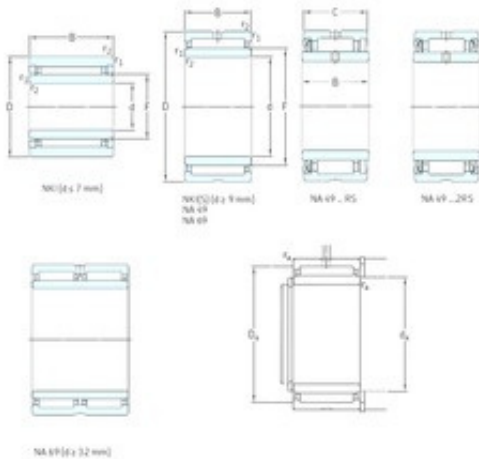
Bearing No. NA4830

| | |
|-------------------------------|------------|
| S | 1,5 mm |
| d | 150 mm |
| F | 165 mm |
| D | 190 mm |
| B | 40 mm |
| C | 40 mm |
| Weight | 2,7 Kg |
| da max | 156,5 mm |
| r1 min. | 1,1 mm |
| ra max. | 1 mm |
| r2 min. | 1,1 mm |
| Da max. | 183,5 mm |
| Size (mm) | 150x190x40 |
| Width (mm) | 40 |
| Bearing number | NA4830 |
| Reference speed | 2400 r/min |
| Bore Diameter (mm) | 150 |
| Outer Diameter (mm) | 190 |
| Fatigue load limit (Pu) | 46,5 |
| Basic dynamic load rating (C) | 147 kN |
| Basic static load rating (C0) | 415 kN |



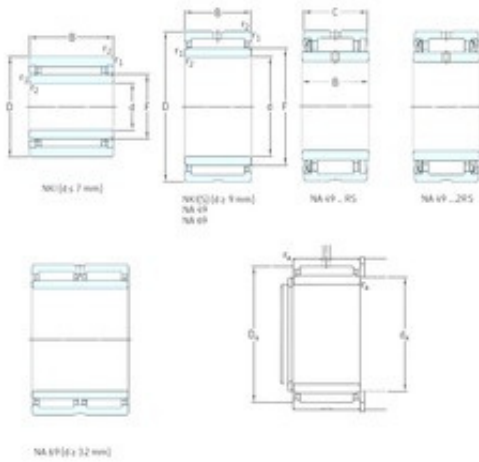
Bearing No. NA4828

| | |
|-------------------------------|------------|
| S | 1 mm |
| d | 140 mm |
| F | 155 mm |
| D | 175 mm |
| B | 35 mm |
| C | 35 mm |
| Weight | 1,9 Kg |
| da max | 146,5 mm |
| r1 min. | 1,1 mm |
| ra max. | 1 mm |
| r2 min. | 1,1 mm |
| Da max. | 168,5 mm |
| Size (mm) | 140x175x35 |
| Width (mm) | 35 |
| Bearing number | NA4828 |
| Reference speed | 2600 r/min |
| Bore Diameter (mm) | 140 |
| Outer Diameter (mm) | 175 |
| Fatigue load limit (Pu) | 37,5 |
| Basic dynamic load rating (C) | 121 kN |
| Basic static load rating (C0) | 345 kN |



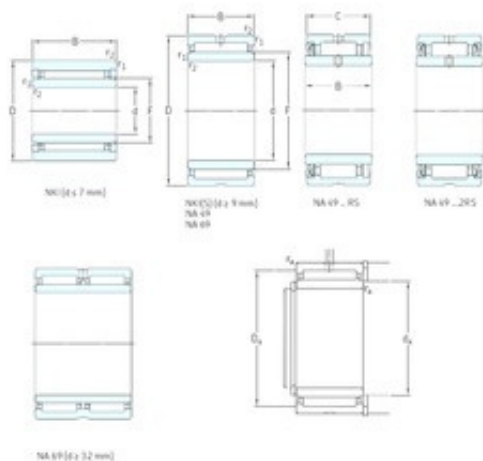
Bearing No. NA4826

| | |
|-------------------------------|------------|
| S | 1 mm |
| d | 130 mm |
| F | 145 mm |
| D | 165 mm |
| B | 35 mm |
| C | 35 mm |
| Weight | 1,8 Kg |
| da max | 136,5 mm |
| r1 min. | 1,1 mm |
| ra max. | 1 mm |
| r2 min. | 1,1 mm |
| Da max. | 158,5 mm |
| Size (mm) | 130x165x35 |
| Width (mm) | 35 |
| Bearing number | NA4826 |
| Reference speed | 2800 r/min |
| Bore Diameter (mm) | 130 |
| Outer Diameter (mm) | 165 |
| Fatigue load limit (Pu) | 36,5 |
| Basic dynamic load rating (C) | 119 kN |
| Basic static load rating (C0) | 325 kN |



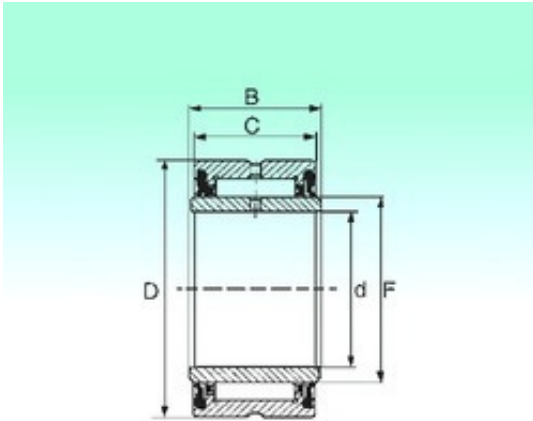
Bearing No. NA4824

| | |
|-------------------------------|------------|
| S | 0,8 mm |
| d | 120 mm |
| F | 130 mm |
| D | 150 mm |
| B | 30 mm |
| C | 30 mm |
| Weight | 1,15 Kg |
| da max | 125 mm |
| r1 min. | 1 mm |
| ra max. | 1 mm |
| r2 min. | 1 mm |
| Da max. | 145 mm |
| Size (mm) | 120x150x30 |
| Width (mm) | 30 |
| Bearing number | NA4824 |
| Reference speed | 3200 r/min |
| Bore Diameter (mm) | 120 |
| Outer Diameter (mm) | 150 |
| Fatigue load limit (Pu) | 29 |
| Basic dynamic load rating (C) | 99 kN |
| Basic static load rating (C0) | 255 kN |



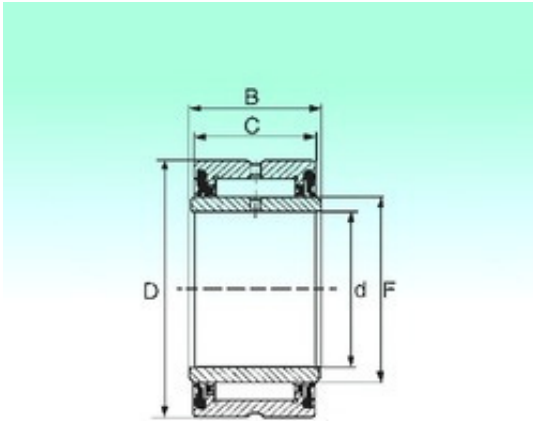
Bearing No. NA4822

| | |
|-------------------------------|------------|
| S | 0,8 mm |
| d | 110 mm |
| F | 120 mm |
| D | 140 mm |
| B | 30 mm |
| C | 30 mm |
| Weight | 1,1 Kg |
| da max | 115 mm |
| r1 min. | 1 mm |
| ra max. | 1 mm |
| r2 min. | 1 mm |
| Da max. | 135 mm |
| Size (mm) | 110x140x30 |
| Width (mm) | 30 |
| Bearing number | NA4822 |
| Reference speed | 3400 r/min |
| Bore Diameter (mm) | 110 |
| Outer Diameter (mm) | 140 |
| Fatigue load limit (Pu) | 27 |
| Basic dynamic load rating (C) | 93,5 kN |
| Basic static load rating (C0) | 232 kN |



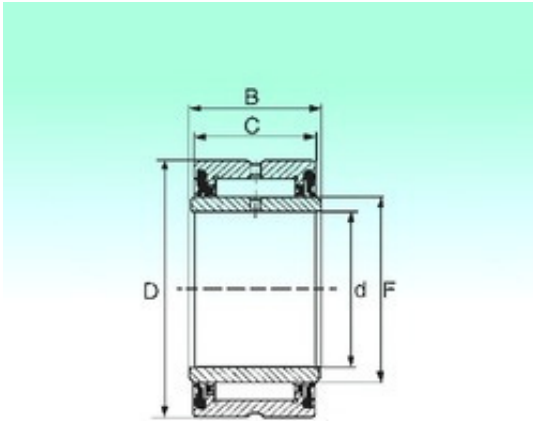
Bearing No. NA 4905 2RS

| | |
|-------------------------------|-------------|
| F | 30 mm |
| d | 25 mm |
| D | 42 mm |
| B | 18 mm |
| C | 17 mm |
| Weight | 0,0895 Kg |
| Size (mm) | 25x42x18 |
| Width (mm) | 18 |
| Bearing number | NA 4905 2RS |
| Bore Diameter (mm) | 25 |
| Outer Diameter (mm) | 42 |
| Basic dynamic load rating (C) | 18,35 kN |
| Basic static load rating (C0) | 22,99 kN |



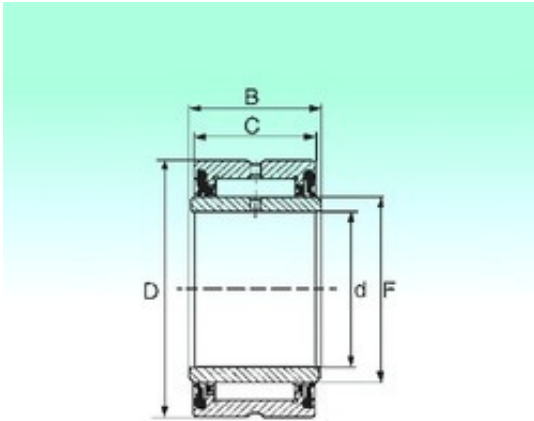
Bearing No. NA 4903 2RS

| | |
|-------------------------------|-------------|
| F | 22 mm |
| d | 17 mm |
| D | 30 mm |
| B | 14 mm |
| C | 13 mm |
| Weight | 0,04 Kg |
| Size (mm) | 17x30x14 |
| Width (mm) | 14 |
| Bearing number | NA 4903 2RS |
| Bore Diameter (mm) | 17 |
| Outer Diameter (mm) | 30 |
| Basic dynamic load rating (C) | 8,36 kN |
| Basic static load rating (C0) | 10,45 kN |



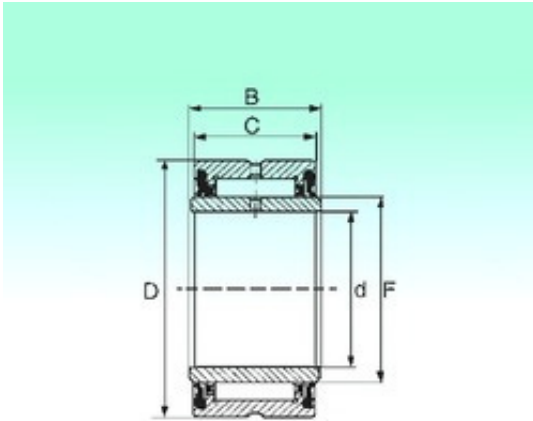
Bearing No. NA 4904 2RS

| | |
|-------------------------------|-------------|
| F | 25 mm |
| d | 20 mm |
| D | 37 mm |
| B | 18 mm |
| C | 17 mm |
| Weight | 0,08 Kg |
| Size (mm) | 20x37x18 |
| Width (mm) | 18 |
| Bearing number | NA 4904 2RS |
| Bore Diameter (mm) | 20 |
| Outer Diameter (mm) | 37 |
| Basic dynamic load rating (C) | 16,45 kN |
| Basic static load rating (C0) | 18,9 kN |



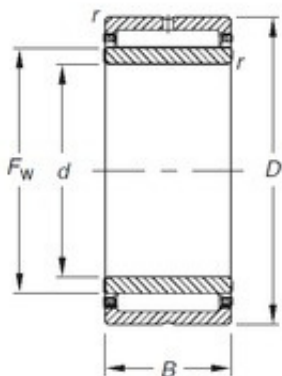
Bearing No. NA 4902 2RS

| | |
|-------------------------------|-------------|
| F | 20 mm |
| d | 15 mm |
| D | 28 mm |
| B | 14 mm |
| C | 13 mm |
| Weight | 0,037 Kg |
| Size (mm) | 15x28x14 |
| Width (mm) | 14 |
| Bearing number | NA 4902 2RS |
| Bore Diameter (mm) | 15 |
| Outer Diameter (mm) | 28 |
| Basic dynamic load rating (C) | 8,17 kN |
| Basic static load rating (C0) | 9,78 kN |



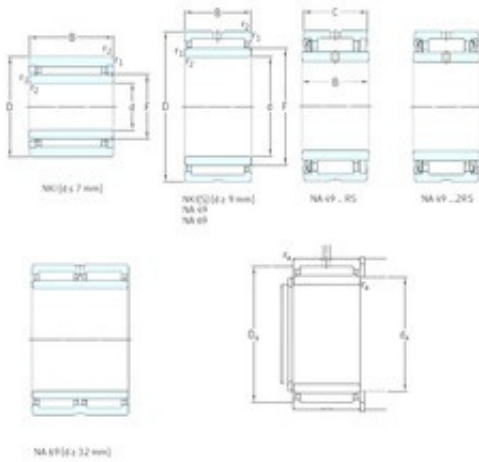
Bearing No. NA 4901 2RS

| | |
|-------------------------------|-------------|
| F | 16 mm |
| d | 12 mm |
| D | 24 mm |
| B | 14 mm |
| C | 13 mm |
| Weight | 0,0275 Kg |
| Size (mm) | 12x24x14 |
| Width (mm) | 14 |
| Bearing number | NA 4901 2RS |
| Bore Diameter (mm) | 12 |
| Outer Diameter (mm) | 24 |
| Basic dynamic load rating (C) | 7,22 kN |
| Basic static load rating (C0) | 7,88 kN |



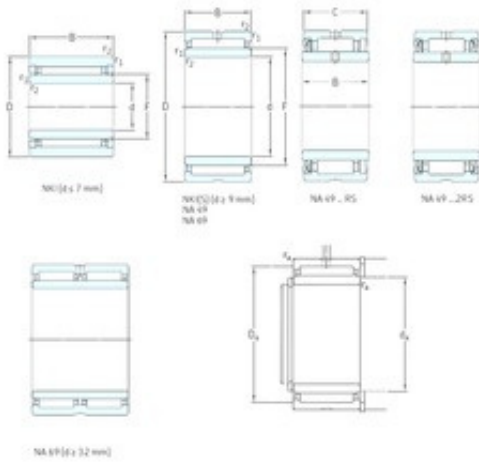
Bearing No. NA4900

| | |
|-------------------------------|-------------|
| d | 10 mm |
| D | 22 mm |
| B | 13 mm |
| C | 13 mm |
| r | 0,3 mm |
| S | 1 mm |
| Fw | 14 mm |
| Weight | 0,025 Kg |
| Size (mm) | 10x22x13 |
| Width (mm) | 13 |
| Bearing number | NA4900 |
| Bore Diameter (mm) | 10 |
| Outer Diameter (mm) | 22 |
| (Grease) Lubrication Speed | 24000 r/min |
| Basic dynamic load rating (C) | 9,39 kN |
| Basic static load rating (C0) | 10,3 kN |



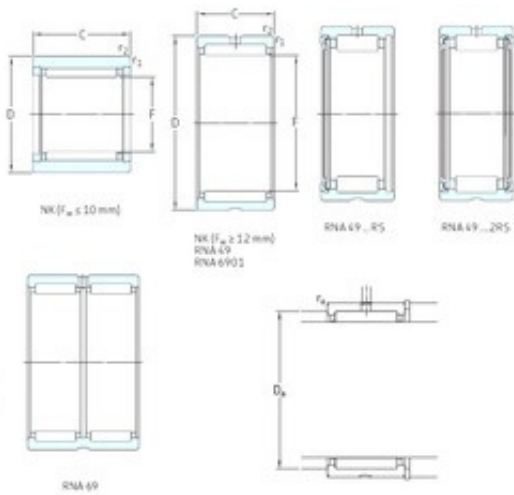
Bearing No. NA49/28

| | |
|-------------------------------|-------------|
| S | 0,8 mm |
| d | 28 mm |
| F | 32 mm |
| D | 45 mm |
| B | 17 mm |
| C | 17 mm |
| Weight | 0,098 Kg |
| da max | 30 mm |
| r1 min. | 0,3 mm |
| ra max. | 0,3 mm |
| r2 min. | 0,3 mm |
| Da max. | 43 mm |
| Size (mm) | 28x45x17 |
| Width (mm) | 17 |
| Bearing number | NA49/28 |
| Reference speed | 12000 r/min |
| Bore Diameter (mm) | 28 |
| Outer Diameter (mm) | 45 |
| Fatigue load limit (Pu) | 4,4 |
| Basic dynamic load rating (C) | 25,1 kN |
| Basic static load rating (C0) | 36,5 kN |



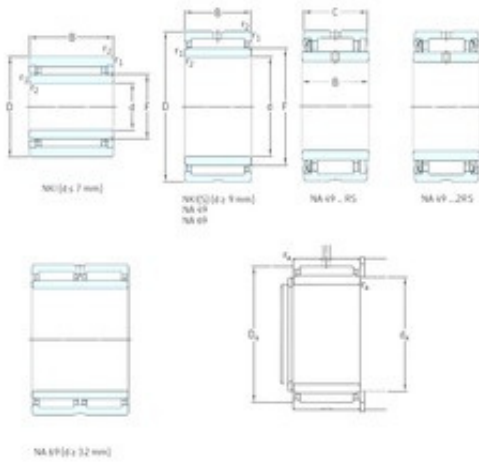
Bearing No. NA49/22

| | |
|-------------------------------|-------------|
| S | 0,8 mm |
| d | 22 mm |
| F | 28 mm |
| D | 39 mm |
| B | 17 mm |
| C | 17 mm |
| Weight | 0,08 Kg |
| da max | 24 mm |
| r1 min. | 0,3 mm |
| ra max. | 0,3 mm |
| r2 min. | 0,3 mm |
| Da max. | 37 mm |
| Size (mm) | 22x39x17 |
| Width (mm) | 17 |
| Bearing number | NA49/22 |
| Reference speed | 14000 r/min |
| Bore Diameter (mm) | 22 |
| Outer Diameter (mm) | 39 |
| Fatigue load limit (Pu) | 3,9 |
| Basic dynamic load rating (C) | 23,3 kN |
| Basic static load rating (C0) | 32 kN |



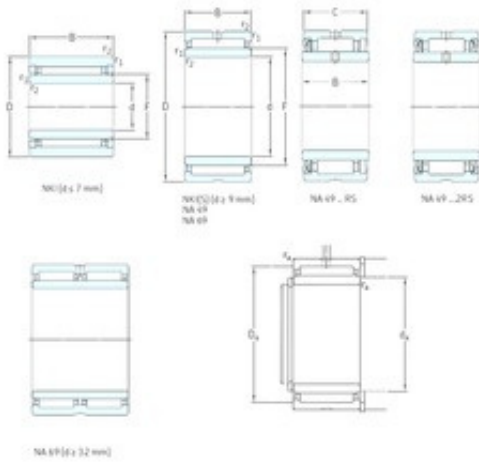
Bearing No. RNA4905

| | |
|-------------------------------|-------------|
| D | 42 mm |
| C | 17 mm |
| Fw | 30 mm |
| Weight | 0,061 Kg |
| Size (mm) | 30x42x17 |
| Width (mm) | 17 |
| Bearing number | RNA4905 |
| Reference speed | 13000 r/min |
| Bore Diameter (mm) | 30 |
| Outer Diameter (mm) | 42 |
| Fatigue load limit (Pu) | 4,15 |
| Basic dynamic load rating (C) | 24,2 kN |
| Basic static load rating (C0) | 34,5 kN |



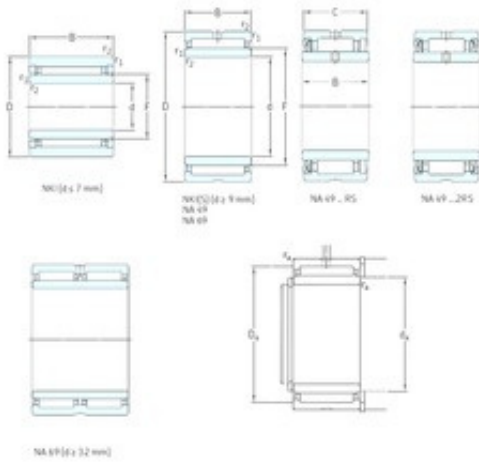
Bearing No. NA6910

| | |
|-------------------------------|------------|
| S | 0,5 mm |
| d | 50 mm |
| F | 58 mm |
| D | 72 mm |
| B | 40 mm |
| C | 40 mm |
| Weight | 0,52 Kg |
| da max | 54 mm |
| r1 min. | 0,6 mm |
| ra max. | 0,6 mm |
| r2 min. | 0,6 mm |
| Da max. | 68 mm |
| Size (mm) | 50x72x40 |
| Width (mm) | 40 |
| Bearing number | NA6910 |
| Reference speed | 7000 r/min |
| Bore Diameter (mm) | 50 |
| Outer Diameter (mm) | 72 |
| Fatigue load limit (Pu) | 18,6 |
| Basic dynamic load rating (C) | 73,7 kN |
| Basic static load rating (C0) | 150 kN |



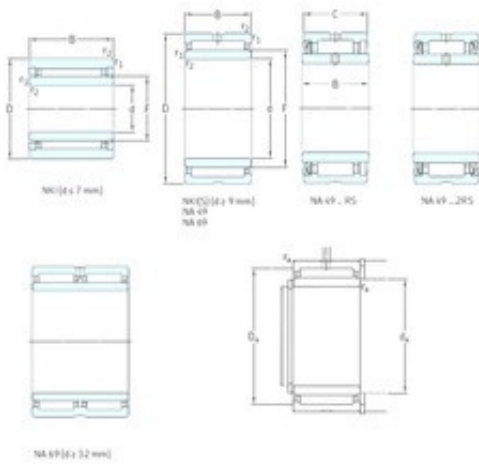
Bearing No. NA6909

| | |
|-------------------------------|------------|
| S | 0,5 mm |
| d | 45 mm |
| F | 52 mm |
| D | 68 mm |
| B | 40 mm |
| C | 40 mm |
| Weight | 0,5 Kg |
| da max | 49 mm |
| r1 min. | 0,6 mm |
| ra max. | 0,6 mm |
| r2 min. | 0,6 mm |
| Da max. | 64 mm |
| Size (mm) | 45x68x40 |
| Width (mm) | 40 |
| Bearing number | NA6909 |
| Reference speed | 7500 r/min |
| Bore Diameter (mm) | 45 |
| Outer Diameter (mm) | 68 |
| Fatigue load limit (Pu) | 17 |
| Basic dynamic load rating (C) | 70,4 kN |
| Basic static load rating (C0) | 137 kN |



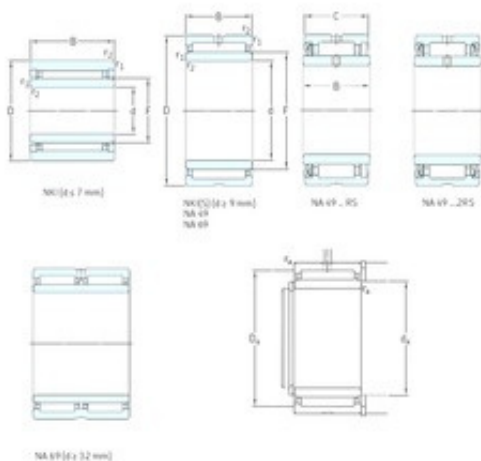
Bearing No. NA6907

| | |
|-------------------------------|------------|
| S | 0,5 mm |
| d | 35 mm |
| F | 42 mm |
| D | 55 mm |
| B | 36 mm |
| C | 36 mm |
| Weight | 0,31 Kg |
| da max | 39 mm |
| r1 min. | 0,6 mm |
| ra max. | 0,6 mm |
| r2 min. | 0,6 mm |
| Da max. | 51 mm |
| Size (mm) | 35x55x36 |
| Width (mm) | 36 |
| Bearing number | NA6907 |
| Reference speed | 9500 r/min |
| Bore Diameter (mm) | 35 |
| Outer Diameter (mm) | 55 |
| Fatigue load limit (Pu) | 11,4 |
| Basic dynamic load rating (C) | 48,4 kN |
| Basic static load rating (C0) | 93 kN |



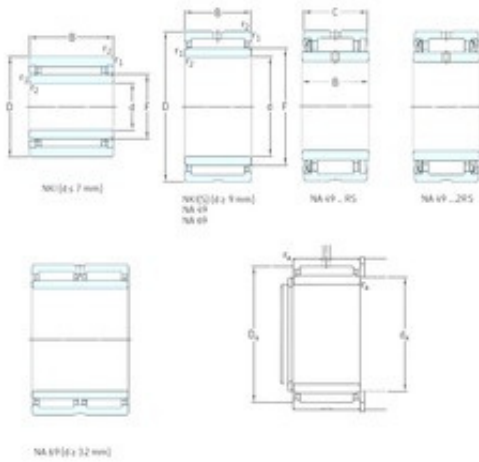
Bearing No. NA6908

| | |
|-------------------------------|------------|
| S | 0,5 mm |
| d | 40 mm |
| F | 48 mm |
| D | 62 mm |
| B | 40 mm |
| C | 40 mm |
| Weight | 0,43 Kg |
| da max | 44 mm |
| r1 min. | 0,6 mm |
| ra max. | 0,6 mm |
| r2 min. | 0,6 mm |
| Da max. | 58 mm |
| Size (mm) | 40x62x40 |
| Width (mm) | 40 |
| Bearing number | NA6908 |
| Reference speed | 8000 r/min |
| Bore Diameter (mm) | 40 |
| Outer Diameter (mm) | 62 |
| Fatigue load limit (Pu) | 15,3 |
| Basic dynamic load rating (C) | 67,1 kN |
| Basic static load rating (C0) | 125 kN |



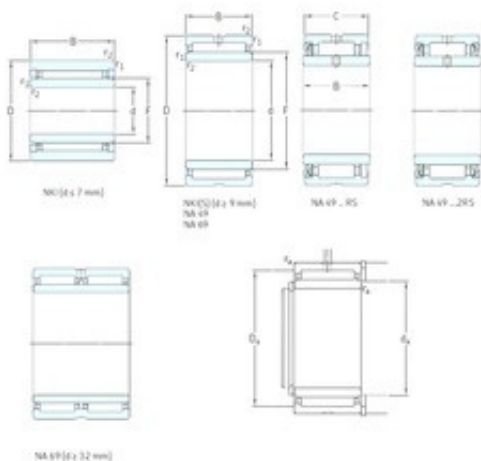
Bearing No. NA6906

| | |
|-------------------------------|-------------|
| S | 1 mm |
| d | 30 mm |
| F | 35 mm |
| D | 47 mm |
| B | 30 mm |
| C | 30 mm |
| Weight | 0,19 Kg |
| da max | 32 mm |
| r1 min. | 0,3 mm |
| ra max. | 0,3 mm |
| r2 min. | 0,3 mm |
| Da max. | 45 mm |
| Size (mm) | 30x47x30 |
| Width (mm) | 30 |
| Bearing number | NA6906 |
| Reference speed | 11000 r/min |
| Bore Diameter (mm) | 30 |
| Outer Diameter (mm) | 47 |
| Fatigue load limit (Pu) | 9,3 |
| Basic dynamic load rating (C) | 42,9 kN |
| Basic static load rating (C0) | 75 kN |



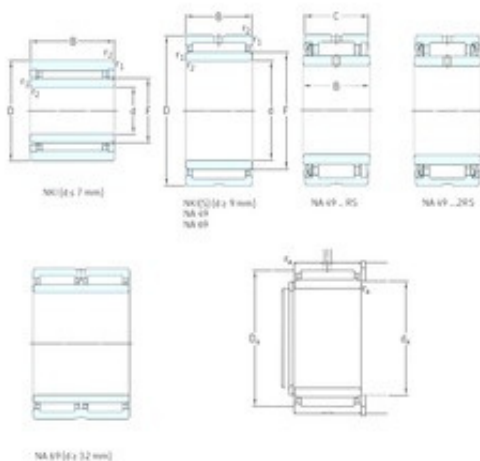
Bearing No. NA6905

| | |
|-------------------------------|-------------|
| S | 1 mm |
| d | 25 mm |
| F | 30 mm |
| D | 42 mm |
| B | 30 mm |
| C | 30 mm |
| Weight | 0,16 Kg |
| da max | 27 mm |
| r1 min. | 0,3 mm |
| ra max. | 0,3 mm |
| r2 min. | 0,3 mm |
| Da max. | 40 mm |
| Size (mm) | 25x42x30 |
| Width (mm) | 30 |
| Bearing number | NA6905 |
| Reference speed | 13000 r/min |
| Bore Diameter (mm) | 25 |
| Outer Diameter (mm) | 42 |
| Fatigue load limit (Pu) | 7,65 |
| Basic dynamic load rating (C) | 38 kN |
| Basic static load rating (C0) | 62 kN |



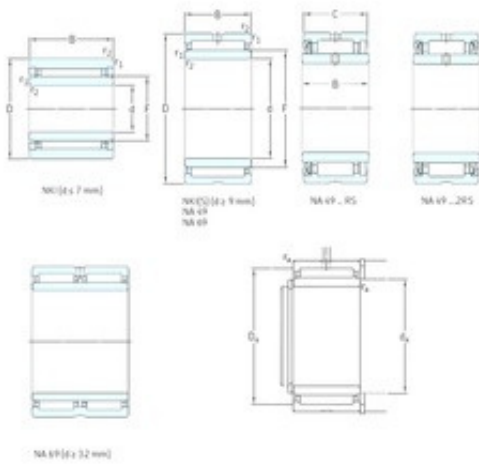
Bearing No. NA6904

| | |
|-------------------------------|-------------|
| S | 1 mm |
| d | 20 mm |
| F | 25 mm |
| D | 37 mm |
| B | 30 mm |
| C | 30 mm |
| Weight | 0,14 Kg |
| da max | 22 mm |
| r1 min. | 0,3 mm |
| ra max. | 0,3 mm |
| r2 min. | 0,3 mm |
| Da max. | 35 mm |
| Size (mm) | 20x37x30 |
| Width (mm) | 30 |
| Bearing number | NA6904 |
| Reference speed | 15000 r/min |
| Bore Diameter (mm) | 20 |
| Outer Diameter (mm) | 37 |
| Fatigue load limit (Pu) | 6,55 |
| Basic dynamic load rating (C) | 35,2 kN |
| Basic static load rating (C0) | 53 kN |



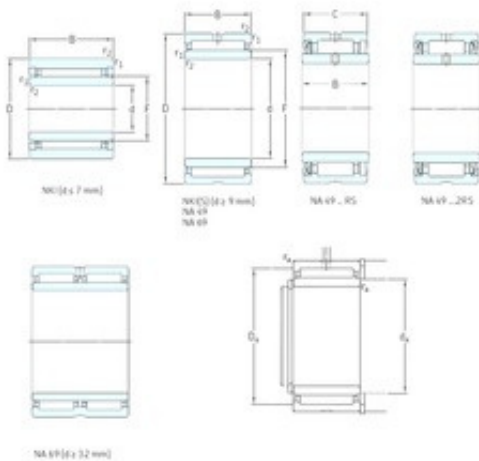
Bearing No. NA6903

| | |
|-------------------------------|-------------|
| S | 1 mm |
| d | 17 mm |
| F | 22 mm |
| D | 30 mm |
| B | 23 mm |
| C | 23 mm |
| Weight | 0,072 Kg |
| da max | 19 mm |
| r1 min. | 0,3 mm |
| ra max. | 0,3 mm |
| r2 min. | 0,3 mm |
| Da max. | 28 mm |
| Size (mm) | 17x30x23 |
| Width (mm) | 23 |
| Bearing number | NA6903 |
| Reference speed | 18000 r/min |
| Bore Diameter (mm) | 17 |
| Outer Diameter (mm) | 30 |
| Fatigue load limit (Pu) | 3,75 |
| Basic dynamic load rating (C) | 18,7 kN |
| Basic static load rating (C0) | 30,5 kN |



Bearing No. NA6902

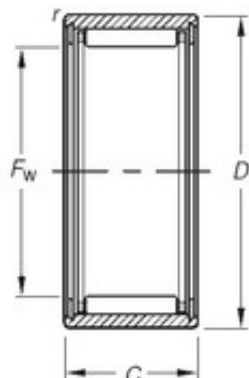
| | |
|-------------------------------|-------------|
| S | 1 mm |
| d | 15 mm |
| F | 20 mm |
| D | 28 mm |
| B | 23 mm |
| C | 23 mm |
| Weight | 0,064 Kg |
| da max | 17 mm |
| r1 min. | 0,3 mm |
| ra max. | 0,3 mm |
| r2 min. | 0,3 mm |
| Da max. | 26 mm |
| Size (mm) | 15x28x23 |
| Width (mm) | 23 |
| Bearing number | NA6902 |
| Reference speed | 19000 r/min |
| Bore Diameter (mm) | 15 |
| Outer Diameter (mm) | 28 |
| Fatigue load limit (Pu) | 3,35 |
| Basic dynamic load rating (C) | 17,2 kN |
| Basic static load rating (C0) | 27 kN |



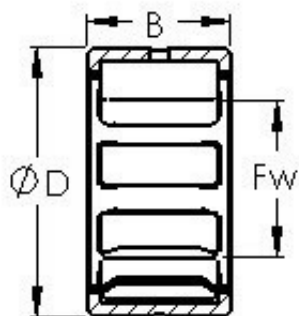
Bearing No. NA6901

| | |
|-------------------------------|-------------|
| S | 1 mm |
| d | 12 mm |
| F | 16 mm |
| D | 24 mm |
| B | 22 mm |
| C | 22 mm |
| Weight | 0,046 Kg |
| da max | 14 mm |
| r1 min. | 0,3 mm |
| ra max. | 0,3 mm |
| r2 min. | 0,3 mm |
| Da max. | 22 mm |
| Size (mm) | 12x24x22 |
| Width (mm) | 22 |
| Bearing number | NA6901 |
| Reference speed | 22000 r/min |
| Bore Diameter (mm) | 12 |
| Outer Diameter (mm) | 24 |
| Fatigue load limit (Pu) | 2,75 |
| Basic dynamic load rating (C) | 16,1 kN |
| Basic static load rating (C0) | 23,2 kN |

Bearing No. NK10/16TN

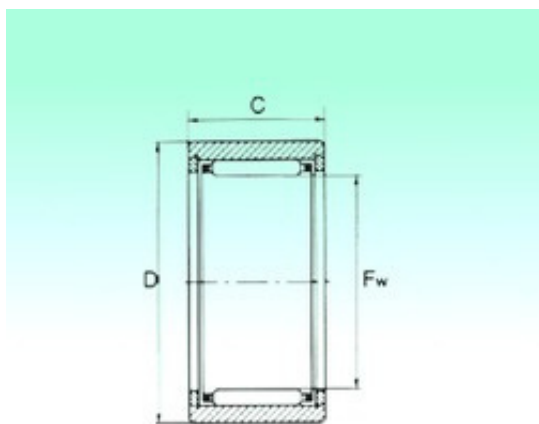


| | |
|-------------------------------|-------------|
| D | 17 mm |
| d | 10 mm |
| C | 16 mm |
| r | 0,3 mm |
| Weight | 0,015 Kg |
| Size (mm) | 10x17x16 |
| Width (mm) | 16 |
| Bearing number | NK10/16TN |
| Bore Diameter (mm) | 10 |
| Outer Diameter (mm) | 17 |
| (Grease) Lubrication Speed | 39000 r/min |
| Basic dynamic load rating (C) | 5,3 kN |
| Basic static load rating (C0) | 6,27 kN |



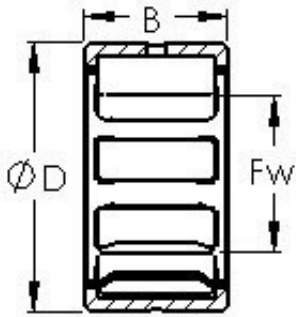
Bearing No. NK10/12TN

| | |
|-----------------------------|-----------------------------------|
| Material | 52100 Chrome steel, or equivalent |
| Size (mm) | 10x17x12 |
| Width (B) | 12.0000 |
| Width (mm) | 12 |
| Shaft (Fw) | 10.0000 |
| Weight (g) | 10.10 |
| Bearing Type | Single Row |
| Outer Dia (D) | 17.0000 |
| Bearing number | NK10/12TN |
| Bore Diameter (mm) | 10 |
| Outer Diameter (mm) | 17 |
| Dynamic Load Rating (Cr) | 4,750 |
| Static Load Rating (Cor) | 5,500 |
| Max Speed (Oil) (X1000 RPM) | 27,000 |



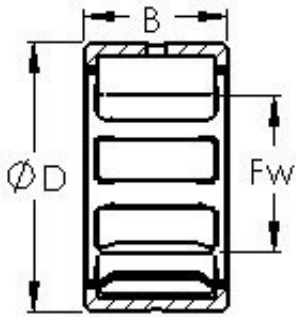
Bearing No. NK 9/12 TN

| | |
|-------------------------------|------------|
| D | 16 mm |
| C | 12 mm |
| Fw | 9 mm |
| Weight | 0,0103 Kg |
| Size (mm) | 9x16x12 |
| Width (mm) | 12 |
| Bearing number | NK 9/12 TN |
| Bore Diameter (mm) | 9 |
| Outer Diameter (mm) | 16 |
| Basic dynamic load rating (C) | 4,28 kN |
| Basic static load rating (C0) | 4,75 kN |



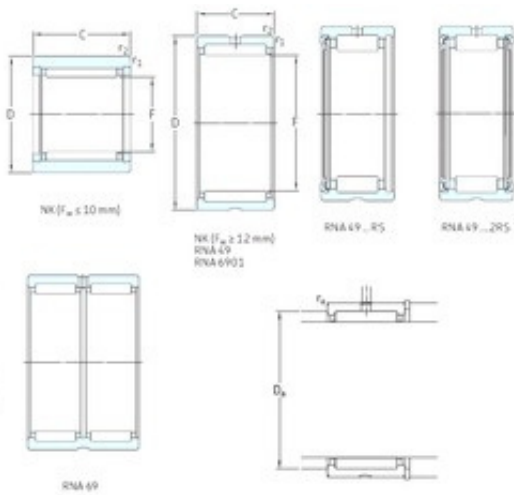
Bearing No. NK8/16TN

| | |
|-----------------------------|-----------------------------------|
| Material | 52100 Chrome steel, or equivalent |
| Size (mm) | 8x15x16 |
| Width (B) | 16.0000 |
| Width (mm) | 16 |
| Shaft (Fw) | 8.000 |
| Weight (g) | 12.00 |
| Bearing Type | Single Row |
| Outer Dia (D) | 15.0000 |
| Bearing number | NK8/16TN |
| Bore Diameter (mm) | 8 |
| Outer Diameter (mm) | 15 |
| Dynamic Load Rating (Cr) | 5,100 |
| Static Load Rating (Cor) | 5,800 |
| Max Speed (Oil) (X1000 RPM) | 29,000 |



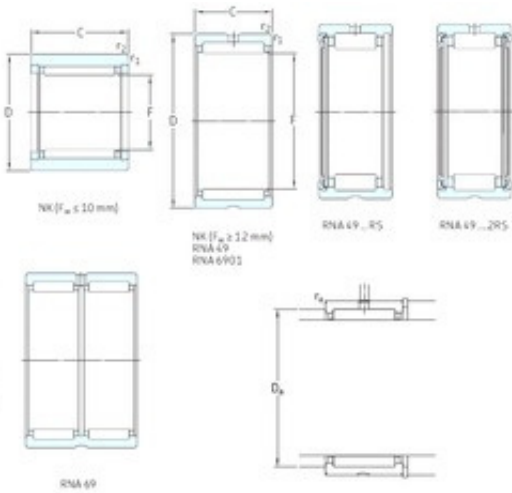
Bearing No. NK8/12TN

| | |
|-----------------------------|-----------------------------------|
| Material | 52100 Chrome steel, or equivalent |
| Size (mm) | 8x15x12 |
| Width (B) | 12.0000 |
| Width (mm) | 12 |
| Shaft (Fw) | 8.000 |
| Weight (g) | 8.70 |
| Bearing Type | Single Row |
| Outer Dia (D) | 15.0000 |
| Bearing number | NK8/12TN |
| Bore Diameter (mm) | 8 |
| Outer Diameter (mm) | 15 |
| Dynamic Load Rating (Cr) | 3,950 |
| Static Load Rating (Cor) | 4,100 |
| Max Speed (Oil) (X1000 RPM) | 29,000 |



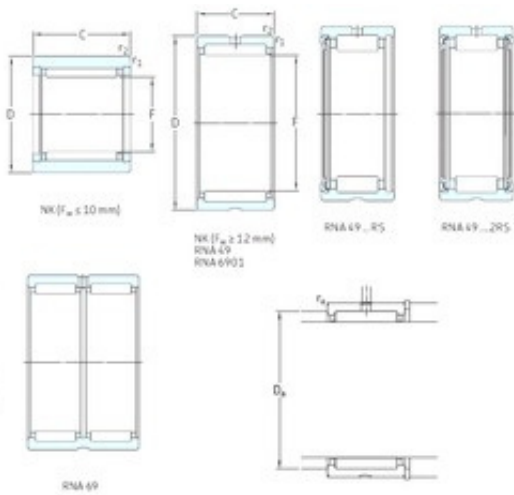
Bearing No. NK7/12TN

| | |
|-------------------------------|-------------|
| D | 14 mm |
| C | 12 mm |
| Fw | 7 mm |
| Weight | 0,0082 Kg |
| Size (mm) | 7x14x12 |
| Width (mm) | 12 |
| Bearing number | NK7/12TN |
| Reference speed | 32000 r/min |
| Bore Diameter (mm) | 7 |
| Outer Diameter (mm) | 14 |
| Fatigue load limit (Pu) | 0,415 |
| Basic dynamic load rating (C) | 3,58 kN |
| Basic static load rating (C0) | 3,75 kN |



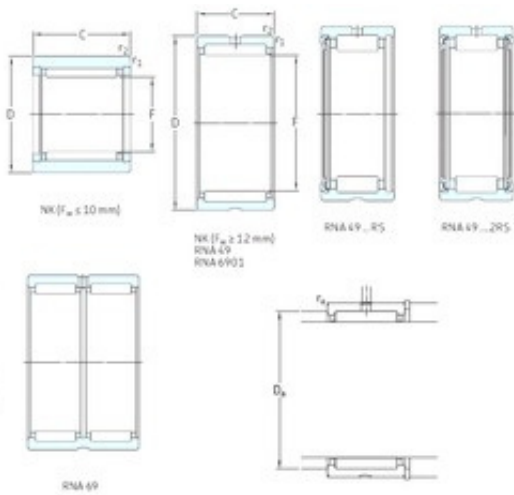
Bearing No. NK7/10TN

| | |
|-------------------------------|-------------|
| D | 14 mm |
| C | 10 mm |
| Fw | 7 mm |
| Weight | 0,0069 Kg |
| Size (mm) | 7x14x10 |
| Width (mm) | 10 |
| Bearing number | NK7/10TN |
| Reference speed | 32000 r/min |
| Bore Diameter (mm) | 7 |
| Outer Diameter (mm) | 14 |
| Fatigue load limit (Pu) | 0,29 |
| Basic dynamic load rating (C) | 2,81 kN |
| Basic static load rating (C0) | 2,75 kN |



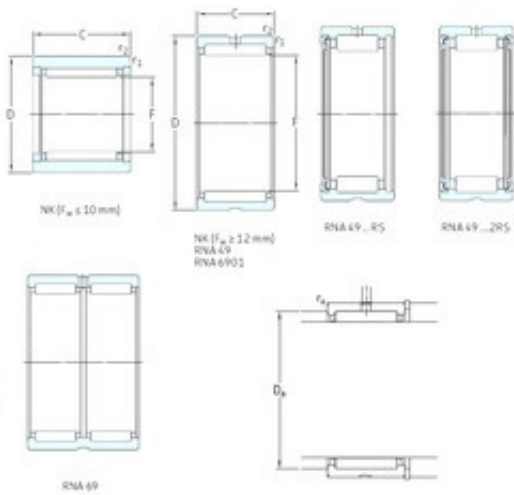
Bearing No. NK6/12TN

| | |
|-------------------------------|-------------|
| D | 12 mm |
| C | 12 mm |
| Fw | 6 mm |
| Weight | 0,0057 Kg |
| Size (mm) | 6x12x12 |
| Width (mm) | 12 |
| Bearing number | NK6/12TN |
| Reference speed | 34000 r/min |
| Bore Diameter (mm) | 6 |
| Outer Diameter (mm) | 12 |
| Fatigue load limit (Pu) | 0,345 |
| Basic dynamic load rating (C) | 3,3 kN |
| Basic static load rating (C0) | 3,2 kN |



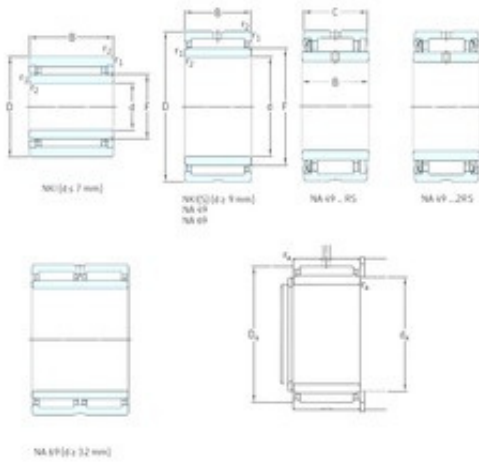
Bearing No. NK6/10TN

| | |
|-------------------------------|-------------|
| D | 12 mm |
| C | 10 mm |
| Fw | 6 mm |
| Weight | 0,0047 Kg |
| Size (mm) | 6x12x10 |
| Width (mm) | 10 |
| Bearing number | NK6/10TN |
| Reference speed | 34000 r/min |
| Bore Diameter (mm) | 6 |
| Outer Diameter (mm) | 12 |
| Fatigue load limit (Pu) | 0,25 |
| Basic dynamic load rating (C) | 2,55 kN |
| Basic static load rating (C0) | 2,36 kN |



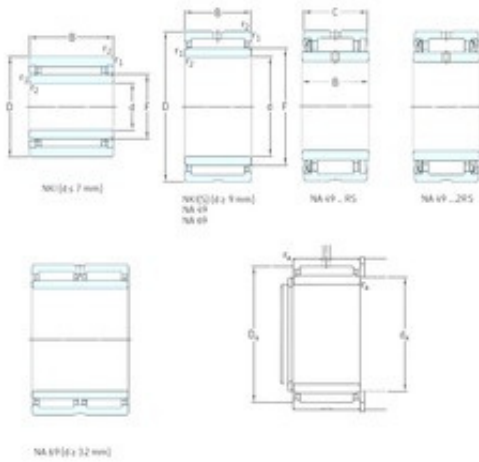
Bearing No. NK5/12TN

| | |
|-------------------------------|-------------|
| D | 10 mm |
| C | 12 mm |
| Fw | 5 mm |
| Weight | 0,0037 Kg |
| Size (mm) | 5x10x12 |
| Width (mm) | 12 |
| Bearing number | NK5/12TN |
| Reference speed | 36000 r/min |
| Bore Diameter (mm) | 5 |
| Outer Diameter (mm) | 10 |
| Fatigue load limit (Pu) | 0,29 |
| Basic dynamic load rating (C) | 2,92 kN |
| Basic static load rating (C0) | 2,7 kN |



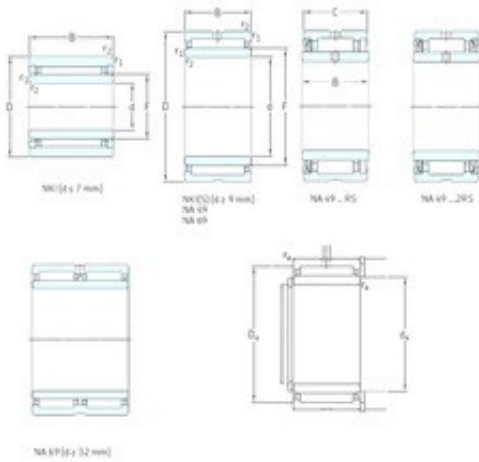
Bearing No. NK110/20

| | |
|-------------------------------|-------------|
| S | 0,5 mm |
| d | 10 mm |
| F | 14 mm |
| D | 22 mm |
| B | 20 mm |
| C | 20 mm |
| Weight | 0,037 Kg |
| da max | 12 mm |
| r1 min. | 0,3 mm |
| ra max. | 0,3 mm |
| r2 min. | 0,3 mm |
| Da max. | 20 mm |
| Size (mm) | 10x22x20 |
| Width (mm) | 20 |
| Bearing number | NK110/20 |
| Reference speed | 24000 r/min |
| Bore Diameter (mm) | 10 |
| Outer Diameter (mm) | 22 |
| Fatigue load limit (Pu) | 2 |
| Basic dynamic load rating (C) | 12,8 kN |
| Basic static load rating (C0) | 16,6 kN |



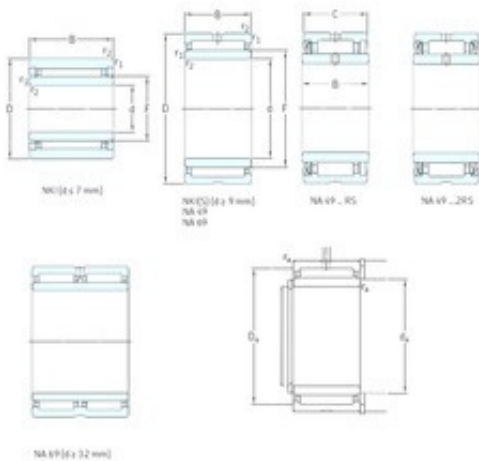
Bearing No. NKI10/16

| | |
|-------------------------------|-------------|
| S | 0,5 mm |
| d | 10 mm |
| F | 14 mm |
| D | 22 mm |
| B | 16 mm |
| C | 16 mm |
| Weight | 0,029 Kg |
| da max | 12 mm |
| r1 min. | 0,3 mm |
| ra max. | 0,3 mm |
| r2 min. | 0,3 mm |
| Da max. | 20 mm |
| Size (mm) | 10x22x16 |
| Width (mm) | 16 |
| Bearing number | NKI10/16 |
| Reference speed | 24000 r/min |
| Bore Diameter (mm) | 10 |
| Outer Diameter (mm) | 22 |
| Fatigue load limit (Pu) | 1,5 |
| Basic dynamic load rating (C) | 10,2 kN |
| Basic static load rating (C0) | 12,5 kN |



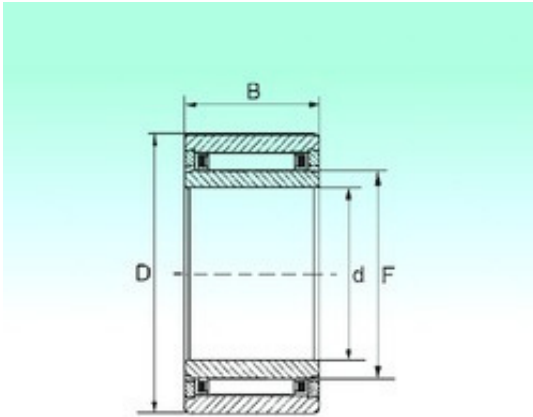
Bearing No. NKI9/12

| | |
|-------------------------------|-------------|
| S | 1,5 mm |
| d | 9 mm |
| F | 12 mm |
| D | 19 mm |
| B | 12 mm |
| C | 12 mm |
| Weight | 0,017 Kg |
| da max | 11 mm |
| r1 min. | 0,3 mm |
| ra max. | 0,3 mm |
| r2 min. | 0,3 mm |
| Da max. | 17 mm |
| Size (mm) | 9x19x12 |
| Width (mm) | 12 |
| Bearing number | NKI9/12 |
| Reference speed | 26000 r/min |
| Bore Diameter (mm) | 9 |
| Outer Diameter (mm) | 19 |
| Fatigue load limit (Pu) | 0,965 |
| Basic dynamic load rating (C) | 6,71 kN |
| Basic static load rating (C0) | 8,15 kN |



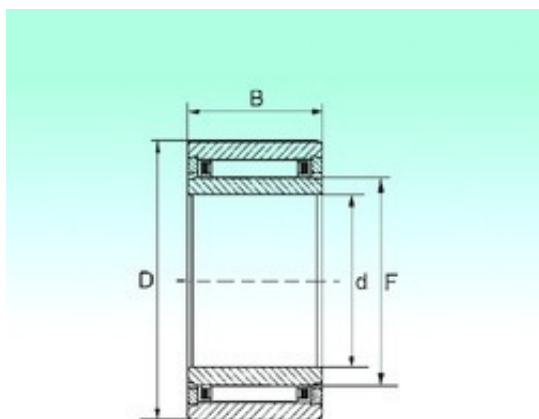
Bearing No. NKI9/16

| | |
|-------------------------------|-------------|
| S | 2 mm |
| d | 9 mm |
| F | 12 mm |
| D | 19 mm |
| B | 16 mm |
| C | 16 mm |
| Weight | 0,022 Kg |
| da max | 11 mm |
| r1 min. | 0,3 mm |
| ra max. | 0,3 mm |
| r2 min. | 0,3 mm |
| Da max. | 17 mm |
| Size (mm) | 9x19x16 |
| Width (mm) | 16 |
| Bearing number | NKI9/16 |
| Reference speed | 26000 r/min |
| Bore Diameter (mm) | 9 |
| Outer Diameter (mm) | 19 |
| Fatigue load limit (Pu) | 1,43 |
| Basic dynamic load rating (C) | 9,13 kN |
| Basic static load rating (C0) | 12 kN |



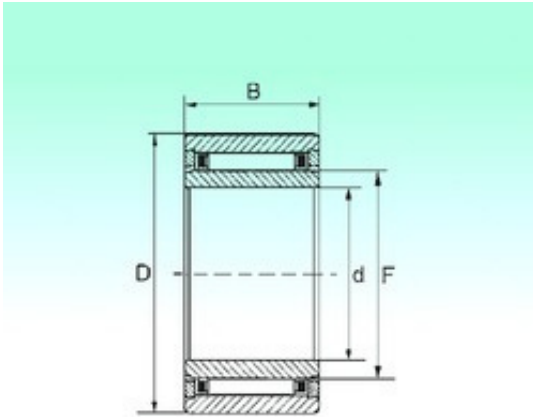
Bearing No. NKI 7/16 TN

| | |
|-------------------------------|-------------|
| d | 7 mm |
| D | 17 mm |
| C | 16 mm |
| Fw | 10 mm |
| Weight | 0,0182 Kg |
| Size (mm) | 7x17x16 |
| Width (mm) | 16 |
| Bearing number | NKI 7/16 TN |
| Bore Diameter (mm) | 7 |
| Outer Diameter (mm) | 17 |
| Basic dynamic load rating (C) | 5,9 kN |
| Basic static load rating (C0) | 7,4 kN |



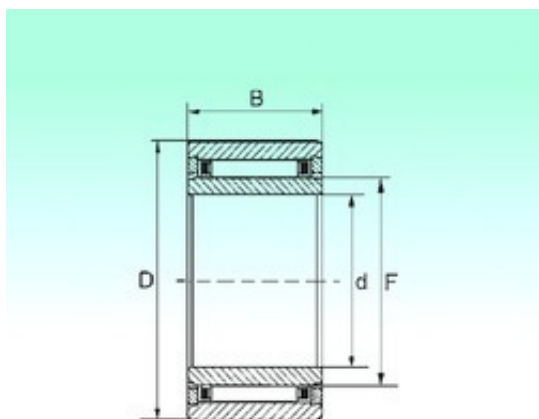
Bearing No. NKI 7/12 TN

| | |
|-------------------------------|-------------|
| d | 7 mm |
| D | 17 mm |
| C | 12 mm |
| Fw | 10 mm |
| Weight | 0,0137 Kg |
| Size (mm) | 7x17x12 |
| Width (mm) | 12 |
| Bearing number | NKI 7/12 TN |
| Bore Diameter (mm) | 7 |
| Outer Diameter (mm) | 17 |
| Basic dynamic load rating (C) | 4,5 kN |
| Basic static load rating (C0) | 5,2 kN |



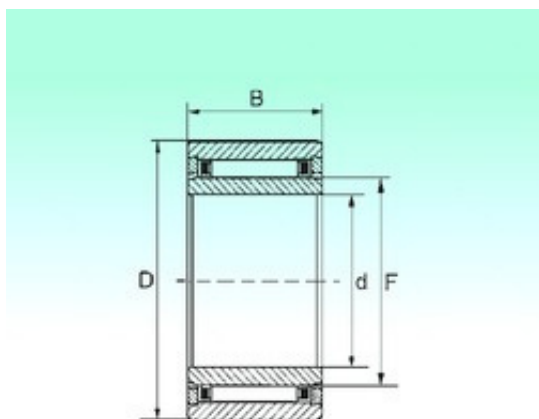
Bearing No. NKI 6/16 TN

| | |
|-------------------------------|-------------|
| d | 6 mm |
| D | 16 mm |
| C | 16 mm |
| Fw | 9 mm |
| Weight | 0,0174 Kg |
| Size (mm) | 6x16x16 |
| Width (mm) | 16 |
| Bearing number | NKI 6/16 TN |
| Bore Diameter (mm) | 6 |
| Outer Diameter (mm) | 16 |
| Basic dynamic load rating (C) | 5,6 kN |
| Basic static load rating (C0) | 6,75 kN |



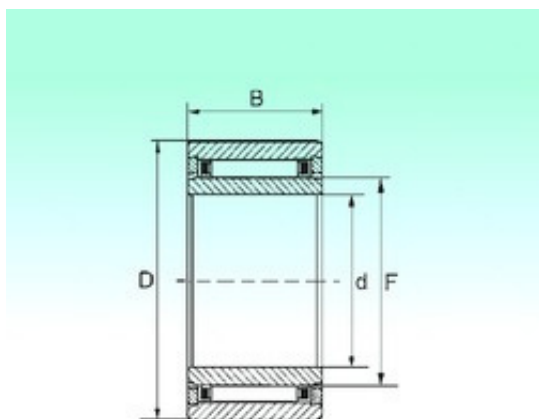
Bearing No. NKI 6/12 TN

| | |
|-------------------------------|-------------|
| d | 6 mm |
| D | 16 mm |
| C | 12 mm |
| Fw | 9 mm |
| Weight | 0,0135 Kg |
| Size (mm) | 6x16x12 |
| Width (mm) | 12 |
| Bearing number | NKI 6/12 TN |
| Bore Diameter (mm) | 6 |
| Outer Diameter (mm) | 16 |
| Basic dynamic load rating (C) | 4,27 kN |
| Basic static load rating (C0) | 4,75 kN |



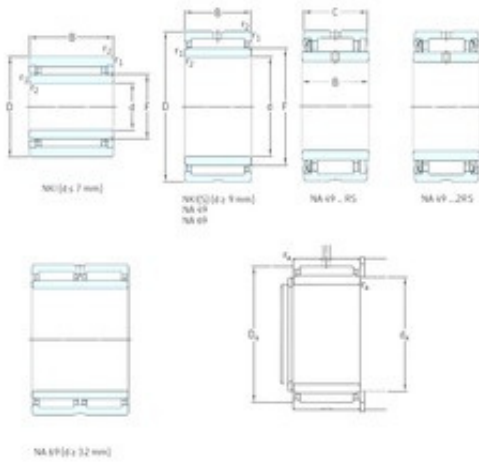
Bearing No. NKI 5/16 TN

| | |
|-------------------------------|-------------|
| d | 5 mm |
| D | 15 mm |
| C | 16 mm |
| Fw | 8 mm |
| Weight | 0,0153 Kg |
| Size (mm) | 5x15x16 |
| Width (mm) | 16 |
| Bearing number | NKI 5/16 TN |
| Bore Diameter (mm) | 5 |
| Outer Diameter (mm) | 15 |
| Basic dynamic load rating (C) | 4,9 kN |
| Basic static load rating (C0) | 5,7 kN |



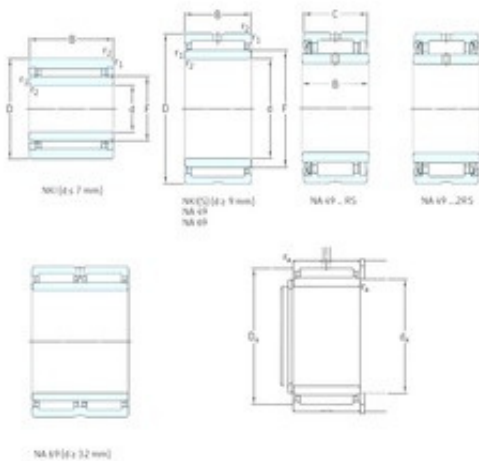
Bearing No. NKI 5/12 TN

| | |
|-------------------------------|-------------|
| d | 5 mm |
| D | 15 mm |
| C | 12 mm |
| Fw | 8 mm |
| Weight | 0,0115 Kg |
| Size (mm) | 5x15x12 |
| Width (mm) | 12 |
| Bearing number | NKI 5/12 TN |
| Bore Diameter (mm) | 5 |
| Outer Diameter (mm) | 15 |
| Basic dynamic load rating (C) | 3,75 kN |
| Basic static load rating (C0) | 3,9 kN |



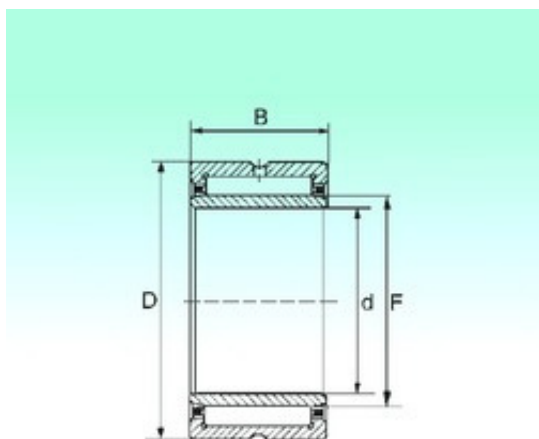
Bearing No. NKIS35

| | |
|-------------------------------|------------|
| S | 0,5 mm |
| d | 35 mm |
| F | 43 mm |
| D | 58 mm |
| B | 22 mm |
| C | 22 mm |
| Weight | 0,22 Kg |
| da max | 39 mm |
| r1 min. | 0,6 mm |
| ra max. | 0,6 mm |
| r2 min. | 0,6 mm |
| Da max. | 53 mm |
| Size (mm) | 35x58x22 |
| Width (mm) | 22 |
| Bearing number | NKIS35 |
| Reference speed | 9000 r/min |
| Bore Diameter (mm) | 35 |
| Outer Diameter (mm) | 58 |
| Fatigue load limit (Pu) | 7,5 |
| Basic dynamic load rating (C) | 39,1 kN |
| Basic static load rating (C0) | 61 kN |



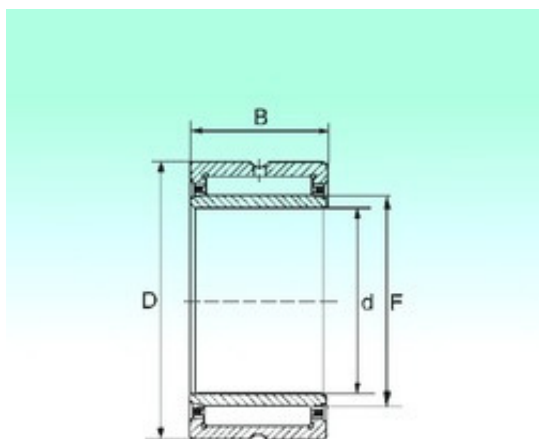
Bearing No. NKIS30

| | |
|-------------------------------|-------------|
| S | 1 mm |
| d | 30 mm |
| F | 37 mm |
| D | 52 mm |
| B | 22 mm |
| C | 22 mm |
| Weight | 0,18 Kg |
| da max | 34 mm |
| r1 min. | 0,6 mm |
| ra max. | 0,6 mm |
| r2 min. | 0,6 mm |
| Da max. | 48 mm |
| Size (mm) | 30x52x22 |
| Width (mm) | 22 |
| Bearing number | NKIS30 |
| Reference speed | 10000 r/min |
| Bore Diameter (mm) | 30 |
| Outer Diameter (mm) | 52 |
| Fatigue load limit (Pu) | 6,55 |
| Basic dynamic load rating (C) | 36,9 kN |
| Basic static load rating (C0) | 54 kN |



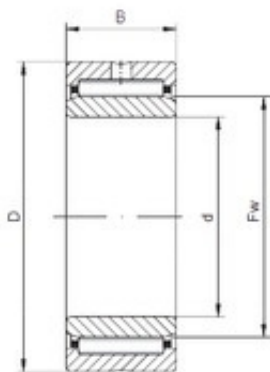
Bearing No. NKIS 70

| | |
|-------------------------------|-----------|
| d | 70 mm |
| D | 100 mm |
| C | 28 mm |
| Fw | 80 mm |
| Weight | 0,68 Kg |
| Size (mm) | 70x100x28 |
| Width (mm) | 28 |
| Bearing number | NKIS 70 |
| Bore Diameter (mm) | 70 |
| Outer Diameter (mm) | 100 |
| Basic dynamic load rating (C) | 73 kN |
| Basic static load rating (C0) | 131,5 kN |



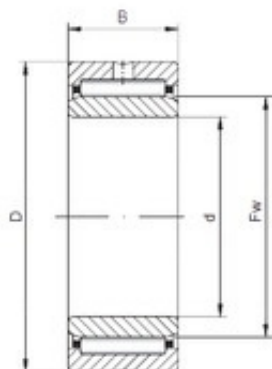
Bearing No. NKIS 100

| | |
|-------------------------------|------------|
| d | 100 mm |
| D | 135 mm |
| C | 32 mm |
| Fw | 115 mm |
| Weight | 1,34 Kg |
| Size (mm) | 100x135x32 |
| Width (mm) | 32 |
| Bearing number | NKIS 100 |
| Bore Diameter (mm) | 100 |
| Outer Diameter (mm) | 135 |
| Basic dynamic load rating (C) | 90 kN |
| Basic static load rating (C0) | 203 kN |



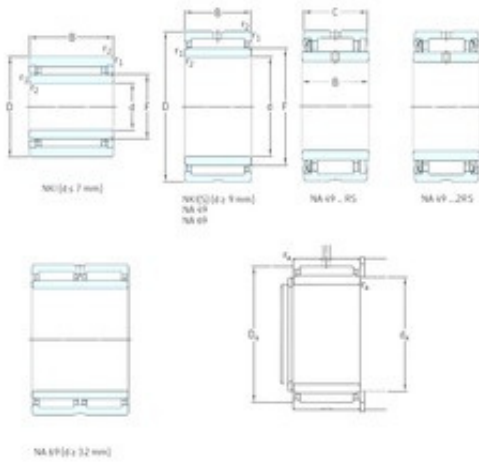
Bearing No. NKIS65

| | |
|---------------------|----------|
| d | 65 mm |
| D | 95 mm |
| B | 28 mm |
| C | 28 mm |
| Fw | 75 mm |
| Size (mm) | 65x95x28 |
| Width (mm) | 28 |
| Bearing number | NKIS65 |
| Bore Diameter (mm) | 65 |
| Outer Diameter (mm) | 95 |



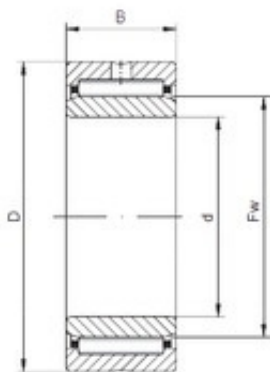
Bearing No. NKIS60

| | |
|---------------------|----------|
| d | 60 mm |
| D | 90 mm |
| B | 28 mm |
| C | 28 mm |
| Fw | 70 mm |
| Size (mm) | 60x90x28 |
| Width (mm) | 28 |
| Bearing number | NKIS60 |
| Bore Diameter (mm) | 60 |
| Outer Diameter (mm) | 90 |



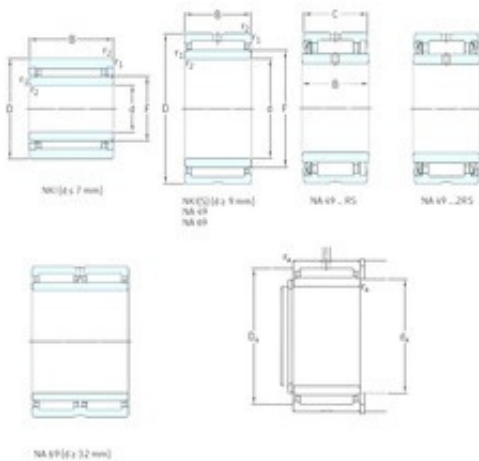
Bearing No. NKIS25

| | |
|-------------------------------|-------------|
| S | 1 mm |
| d | 25 mm |
| F | 32 mm |
| D | 47 mm |
| B | 22 mm |
| C | 22 mm |
| Weight | 0,16 Kg |
| da max | 29 mm |
| r1 min. | 0,6 mm |
| ra max. | 0,6 mm |
| r2 min. | 0,6 mm |
| Da max. | 43 mm |
| Size (mm) | 25x47x22 |
| Width (mm) | 22 |
| Bearing number | NKIS25 |
| Reference speed | 12000 r/min |
| Bore Diameter (mm) | 25 |
| Outer Diameter (mm) | 47 |
| Fatigue load limit (Pu) | 5,7 |
| Basic dynamic load rating (C) | 34,1 kN |
| Basic static load rating (C0) | 46,5 kN |



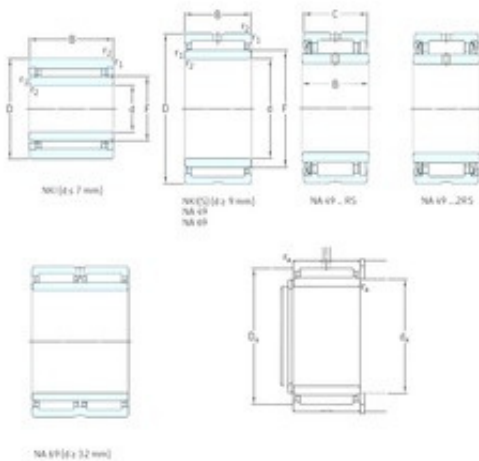
Bearing No. NKIS55

| | |
|---------------------|----------|
| d | 55 mm |
| D | 85 mm |
| B | 28 mm |
| C | 28 mm |
| Fw | 65 mm |
| Size (mm) | 55x85x28 |
| Width (mm) | 28 |
| Bearing number | NKIS55 |
| Bore Diameter (mm) | 55 |
| Outer Diameter (mm) | 85 |



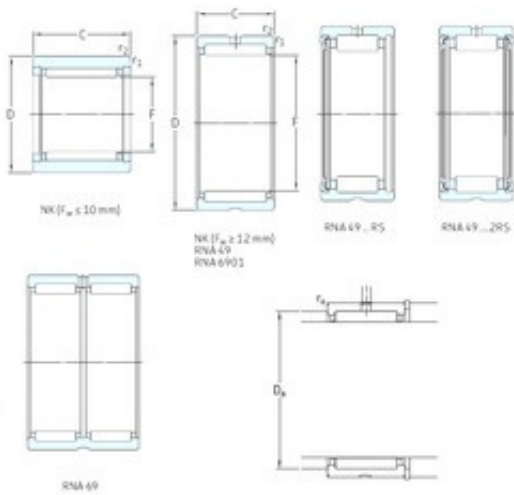
Bearing No. NKIS20

| | |
|-------------------------------|-------------|
| S | 0,5 mm |
| d | 20 mm |
| F | 28 mm |
| D | 42 mm |
| B | 20 mm |
| C | 20 mm |
| Weight | 0,13 Kg |
| da max | 24 mm |
| r1 min. | 0,6 mm |
| ra max. | 0,6 mm |
| r2 min. | 0,6 mm |
| Da max. | 38 mm |
| Size (mm) | 20x42x20 |
| Width (mm) | 20 |
| Bearing number | NKIS20 |
| Reference speed | 13000 r/min |
| Bore Diameter (mm) | 20 |
| Outer Diameter (mm) | 42 |
| Fatigue load limit (Pu) | 4,75 |
| Basic dynamic load rating (C) | 28,6 kN |
| Basic static load rating (C0) | 39 kN |



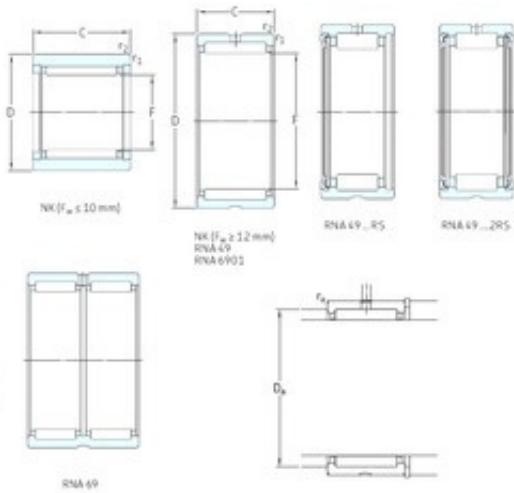
Bearing No. NKIS17

| | |
|-------------------------------|-------------|
| S | 0,5 mm |
| d | 17 mm |
| F | 24 mm |
| D | 37 mm |
| B | 20 mm |
| C | 20 mm |
| Weight | 0,098 Kg |
| da max | 21 mm |
| r1 min. | 0,6 mm |
| ra max. | 0,6 mm |
| r2 min. | 0,6 mm |
| Da max. | 33 mm |
| Size (mm) | 17x37x20 |
| Width (mm) | 20 |
| Bearing number | NKIS17 |
| Reference speed | 15000 r/min |
| Bore Diameter (mm) | 17 |
| Outer Diameter (mm) | 37 |
| Fatigue load limit (Pu) | 4 |
| Basic dynamic load rating (C) | 26 kN |
| Basic static load rating (C0) | 33,5 kN |



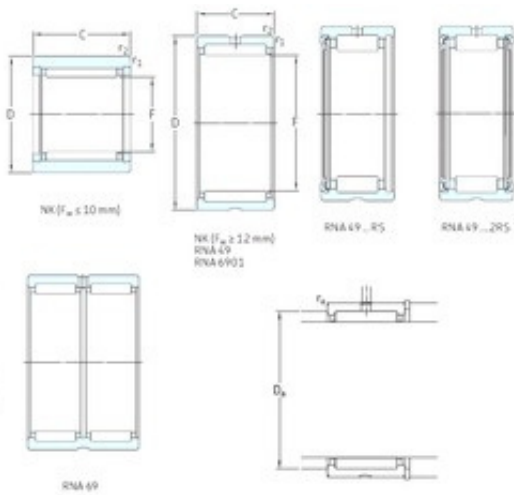
Bearing No. NKS45

| | |
|-------------------------------|------------|
| D | 60 mm |
| C | 22 mm |
| Fw | 45 mm |
| Weight | 0,15 Kg |
| Size (mm) | 45x60x22 |
| Width (mm) | 22 |
| Bearing number | NKS45 |
| Reference speed | 8500 r/min |
| Bore Diameter (mm) | 45 |
| Outer Diameter (mm) | 60 |
| Fatigue load limit (Pu) | 8 |
| Basic dynamic load rating (C) | 40,2 kN |
| Basic static load rating (C0) | 64 kN |



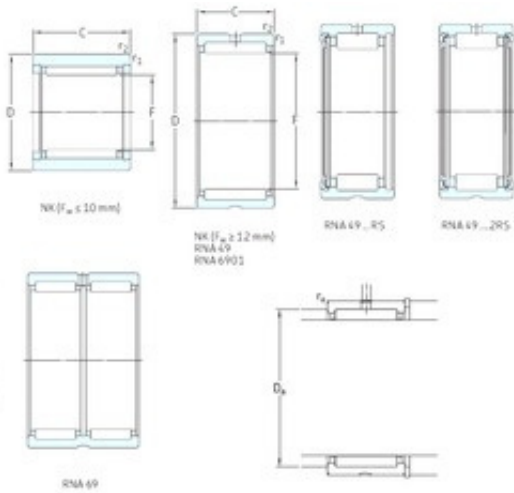
Bearing No. NKS43

| | |
|-------------------------------|------------|
| D | 58 mm |
| C | 22 mm |
| Fw | 43 mm |
| Weight | 0,14 Kg |
| Size (mm) | 43x58x22 |
| Width (mm) | 22 |
| Bearing number | NKS43 |
| Reference speed | 9000 r/min |
| Bore Diameter (mm) | 43 |
| Outer Diameter (mm) | 58 |
| Fatigue load limit (Pu) | 7,5 |
| Basic dynamic load rating (C) | 39,1 kN |
| Basic static load rating (C0) | 61 kN |



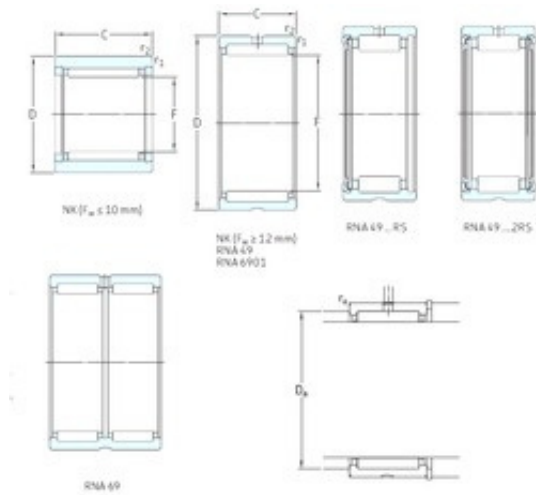
Bearing No. NKS40

| | |
|-------------------------------|------------|
| D | 55 mm |
| C | 22 mm |
| Fw | 40 mm |
| Weight | 0,13 Kg |
| Size (mm) | 40x55x22 |
| Width (mm) | 22 |
| Bearing number | NKS40 |
| Reference speed | 9500 r/min |
| Bore Diameter (mm) | 40 |
| Outer Diameter (mm) | 55 |
| Fatigue load limit (Pu) | 7,1 |
| Basic dynamic load rating (C) | 38 kN |
| Basic static load rating (C0) | 57 kN |



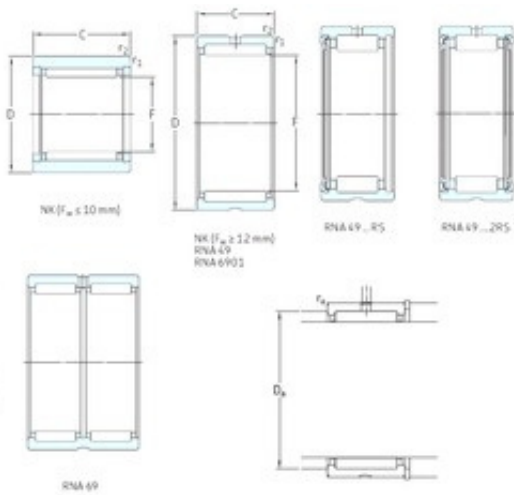
Bearing No. NKS37

| | |
|-------------------------------|-------------|
| D | 52 mm |
| C | 22 mm |
| Fw | 37 mm |
| Weight | 0,12 Kg |
| Size (mm) | 37x52x22 |
| Width (mm) | 22 |
| Bearing number | NKS37 |
| Reference speed | 10000 r/min |
| Bore Diameter (mm) | 37 |
| Outer Diameter (mm) | 52 |
| Fatigue load limit (Pu) | 6,55 |
| Basic dynamic load rating (C) | 36,9 kN |
| Basic static load rating (C0) | 54 kN |



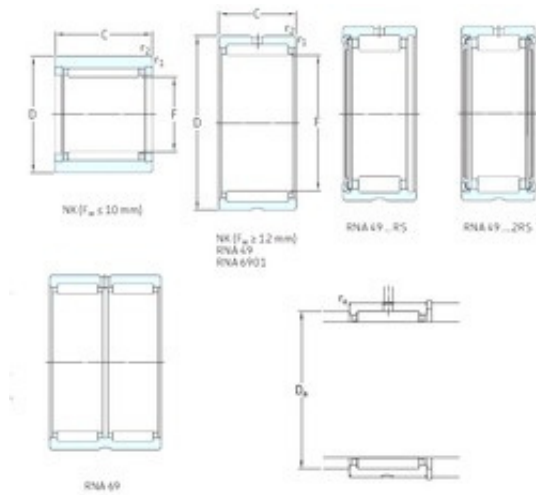
Bearing No. NKS35

| | |
|-------------------------------|-------------|
| D | 50 mm |
| C | 22 mm |
| Fw | 35 mm |
| Weight | 0,12 Kg |
| Size (mm) | 35x50x22 |
| Width (mm) | 22 |
| Bearing number | NKS35 |
| Reference speed | 11000 r/min |
| Bore Diameter (mm) | 35 |
| Outer Diameter (mm) | 50 |
| Fatigue load limit (Pu) | 6,2 |
| Basic dynamic load rating (C) | 35,2 kN |
| Basic static load rating (C0) | 50 kN |



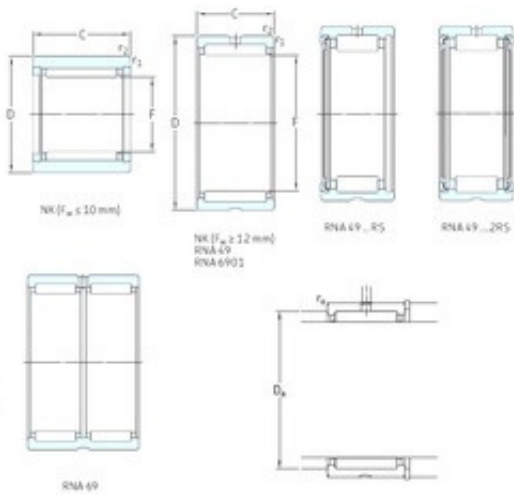
Bearing No. NKS32

| | |
|-------------------------------|-------------|
| D | 47 mm |
| C | 22 mm |
| Fw | 32 mm |
| Weight | 0,11 Kg |
| Size (mm) | 32x47x22 |
| Width (mm) | 22 |
| Bearing number | NKS32 |
| Reference speed | 12000 r/min |
| Bore Diameter (mm) | 32 |
| Outer Diameter (mm) | 47 |
| Fatigue load limit (Pu) | 5,7 |
| Basic dynamic load rating (C) | 34,1 kN |
| Basic static load rating (C0) | 46,5 kN |



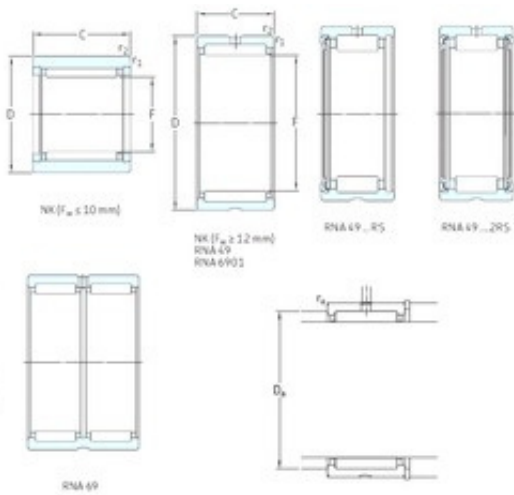
Bearing No. NKS30

| | |
|-------------------------------|-------------|
| D | 45 mm |
| C | 22 mm |
| Fw | 30 mm |
| Weight | 0,1 Kg |
| Size (mm) | 30x45x22 |
| Width (mm) | 22 |
| Bearing number | NKS30 |
| Reference speed | 12000 r/min |
| Bore Diameter (mm) | 30 |
| Outer Diameter (mm) | 45 |
| Fatigue load limit (Pu) | 5,3 |
| Basic dynamic load rating (C) | 31,9 kN |
| Basic static load rating (C0) | 43 kN |



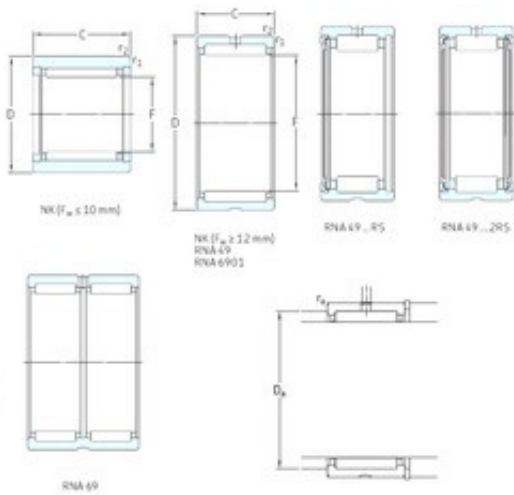
Bearing No. NKS28

| | |
|-------------------------------|-------------|
| D | 42 mm |
| C | 20 mm |
| Fw | 28 mm |
| Weight | 0,084 Kg |
| Size (mm) | 28x42x20 |
| Width (mm) | 20 |
| Bearing number | NKS28 |
| Reference speed | 13000 r/min |
| Bore Diameter (mm) | 28 |
| Outer Diameter (mm) | 42 |
| Fatigue load limit (Pu) | 4,75 |
| Basic dynamic load rating (C) | 28,6 kN |
| Basic static load rating (C0) | 39 kN |



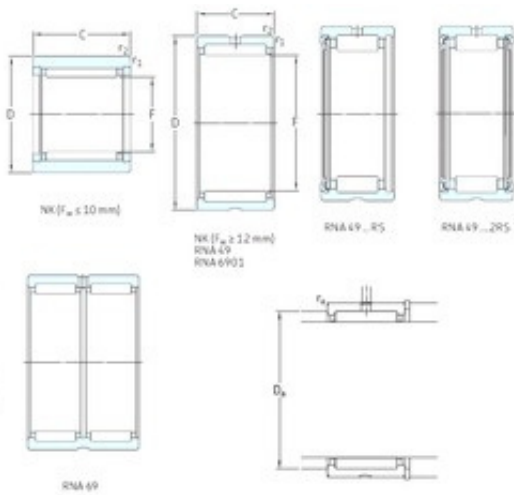
Bearing No. NKS25

| | |
|-------------------------------|-------------|
| D | 38 mm |
| C | 20 mm |
| Fw | 25 mm |
| Weight | 0,068 Kg |
| Size (mm) | 25x38x20 |
| Width (mm) | 20 |
| Bearing number | NKS25 |
| Reference speed | 15000 r/min |
| Bore Diameter (mm) | 25 |
| Outer Diameter (mm) | 38 |
| Fatigue load limit (Pu) | 4,4 |
| Basic dynamic load rating (C) | 27,5 kN |
| Basic static load rating (C0) | 36 kN |



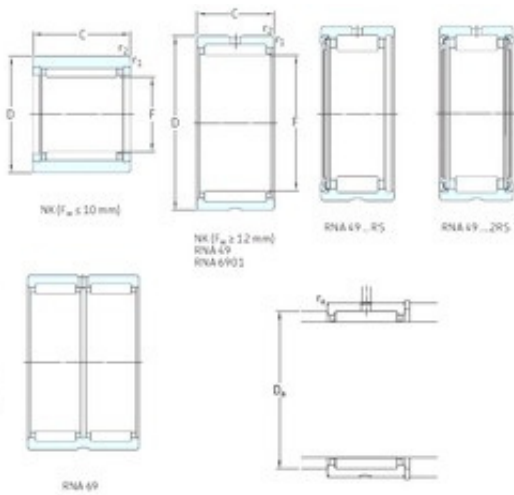
Bearing No. NKS24

| | |
|-------------------------------|-------------|
| D | 37 mm |
| C | 20 mm |
| Fw | 24 mm |
| Weight | 0,066 Kg |
| Size (mm) | 24x37x20 |
| Width (mm) | 20 |
| Bearing number | NKS24 |
| Reference speed | 15000 r/min |
| Bore Diameter (mm) | 24 |
| Outer Diameter (mm) | 37 |
| Fatigue load limit (Pu) | 4 |
| Basic dynamic load rating (C) | 26 kN |
| Basic static load rating (C0) | 33,5 kN |



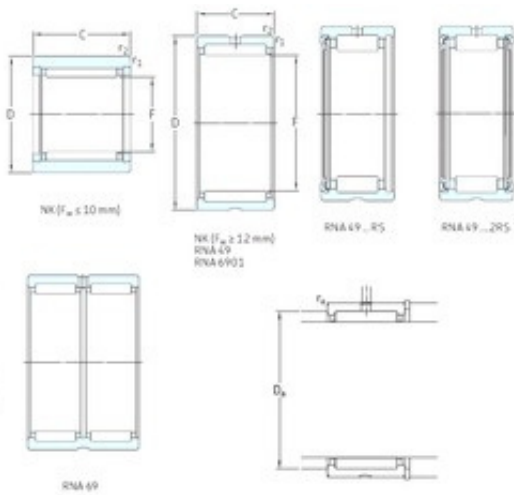
Bearing No. RNA4840

| | |
|-------------------------------|------------|
| D | 250 mm |
| C | 50 mm |
| Fw | 220 mm |
| Weight | 3,35 Kg |
| Size (mm) | 220x250x50 |
| Width (mm) | 50 |
| Bearing number | RNA4840 |
| Reference speed | 1800 r/min |
| Bore Diameter (mm) | 220 |
| Outer Diameter (mm) | 250 |
| Fatigue load limit (Pu) | 75 |
| Basic dynamic load rating (C) | 224 kN |
| Basic static load rating (C0) | 735 kN |



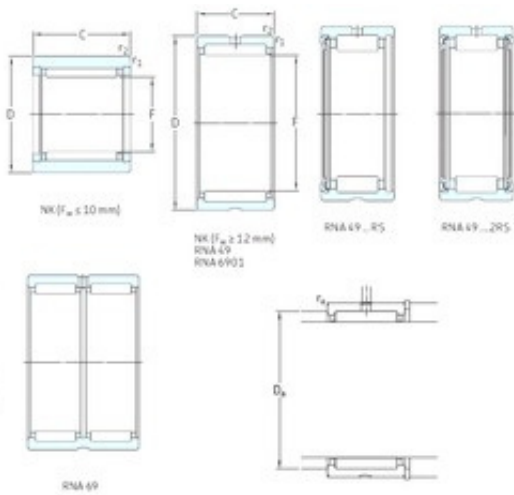
Bearing No. RNA4838

| | |
|-------------------------------|------------|
| D | 240 mm |
| C | 50 mm |
| Fw | 210 mm |
| Weight | 3,2 Kg |
| Size (mm) | 210x240x50 |
| Width (mm) | 50 |
| Bearing number | RNA4838 |
| Reference speed | 1900 r/min |
| Bore Diameter (mm) | 210 |
| Outer Diameter (mm) | 240 |
| Fatigue load limit (Pu) | 73,5 |
| Basic dynamic load rating (C) | 220 kN |
| Basic static load rating (C0) | 710 kN |



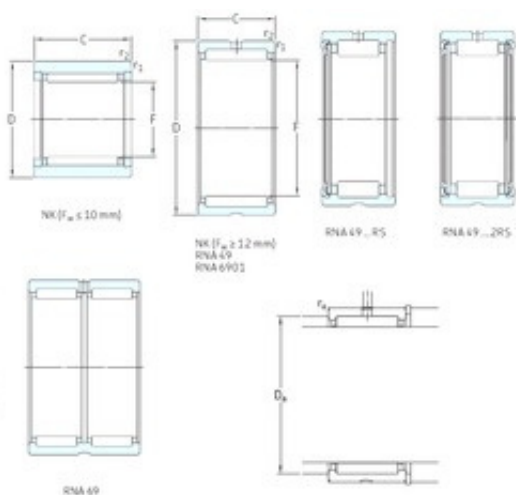
Bearing No. RNA4836

| | |
|-------------------------------|------------|
| D | 225 mm |
| C | 45 mm |
| Fw | 195 mm |
| Weight | 2,7 Kg |
| Size (mm) | 195x225x45 |
| Width (mm) | 45 |
| Bearing number | RNA4836 |
| Reference speed | 2000 r/min |
| Bore Diameter (mm) | 195 |
| Outer Diameter (mm) | 225 |
| Fatigue load limit (Pu) | 60 |
| Basic dynamic load rating (C) | 190 kN |
| Basic static load rating (C0) | 570 kN |



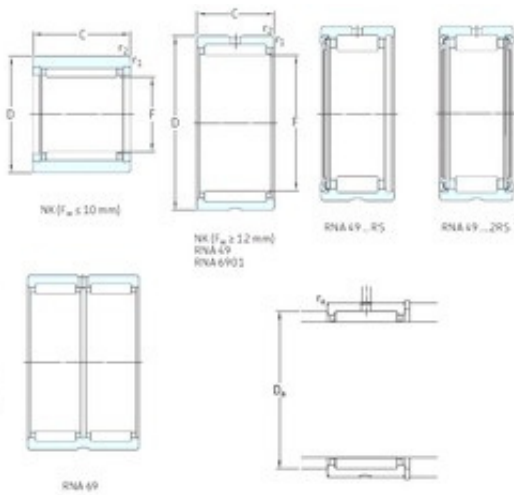
Bearing No. RNA4834

| | |
|-------------------------------|------------|
| D | 215 mm |
| C | 45 mm |
| Fw | 185 mm |
| Weight | 2,55 Kg |
| Size (mm) | 185x215x45 |
| Width (mm) | 45 |
| Bearing number | RNA4834 |
| Reference speed | 2200 r/min |
| Bore Diameter (mm) | 185 |
| Outer Diameter (mm) | 215 |
| Fatigue load limit (Pu) | 56 |
| Basic dynamic load rating (C) | 179 kN |
| Basic static load rating (C0) | 520 kN |



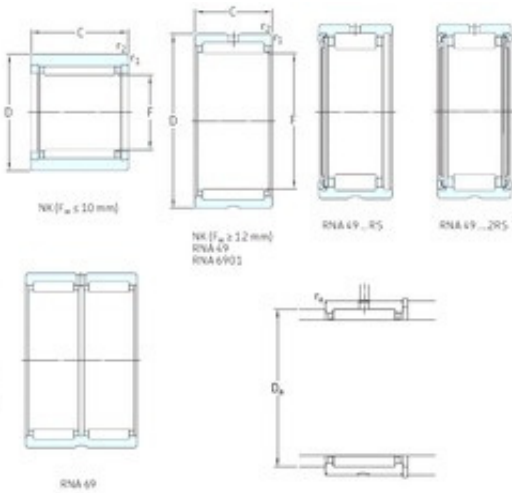
Bearing No. RNA4832

| | |
|-------------------------------|------------|
| D | 200 mm |
| C | 40 mm |
| Fw | 175 mm |
| Weight | 1,7 Kg |
| Size (mm) | 175x200x40 |
| Width (mm) | 40 |
| Bearing number | RNA4832 |
| Reference speed | 2200 r/min |
| Bore Diameter (mm) | 175 |
| Outer Diameter (mm) | 200 |
| Fatigue load limit (Pu) | 49 |
| Basic dynamic load rating (C) | 157 kN |
| Basic static load rating (C0) | 450 kN |



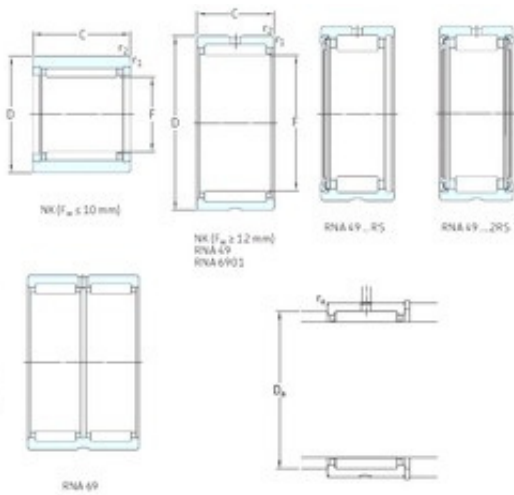
Bearing No. RNA4830

| | |
|-------------------------------|------------|
| D | 190 mm |
| C | 40 mm |
| Fw | 165 mm |
| Weight | 1,6 Kg |
| Size (mm) | 165x190x40 |
| Width (mm) | 40 |
| Bearing number | RNA4830 |
| Reference speed | 2400 r/min |
| Bore Diameter (mm) | 165 |
| Outer Diameter (mm) | 190 |
| Fatigue load limit (Pu) | 46,5 |
| Basic dynamic load rating (C) | 147 kN |
| Basic static load rating (C0) | 415 kN |



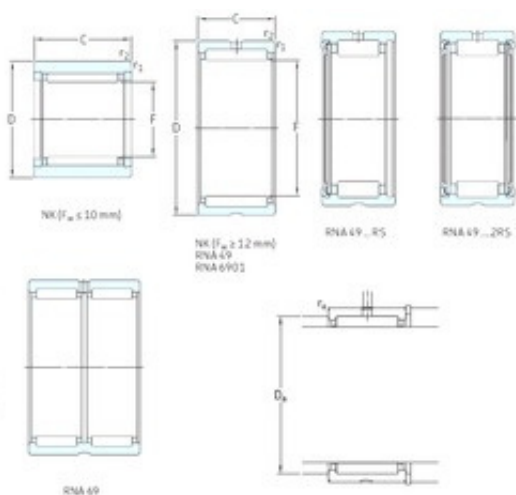
Bearing No. RNA4828

| | |
|-------------------------------|------------|
| D | 175 mm |
| C | 35 mm |
| Fw | 155 mm |
| Weight | 0,97 Kg |
| Size (mm) | 155x175x35 |
| Width (mm) | 35 |
| Bearing number | RNA4828 |
| Reference speed | 2600 r/min |
| Bore Diameter (mm) | 155 |
| Outer Diameter (mm) | 175 |
| Fatigue load limit (Pu) | 37,5 |
| Basic dynamic load rating (C) | 121 kN |
| Basic static load rating (C0) | 345 kN |



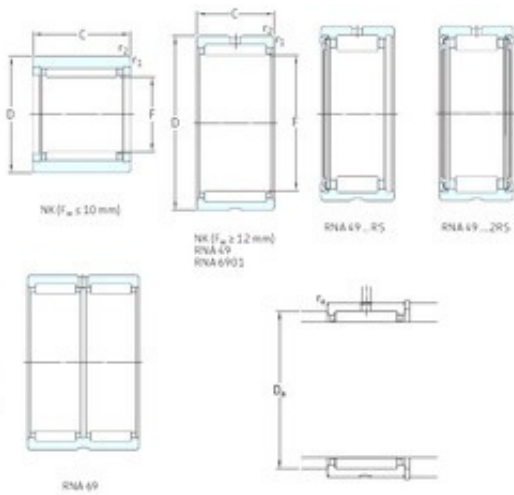
Bearing No. RNA4826

| | |
|-------------------------------|------------|
| D | 165 mm |
| C | 35 mm |
| Fw | 145 mm |
| Weight | 0,99 Kg |
| Size (mm) | 145x165x35 |
| Width (mm) | 35 |
| Bearing number | RNA4826 |
| Reference speed | 2800 r/min |
| Bore Diameter (mm) | 145 |
| Outer Diameter (mm) | 165 |
| Fatigue load limit (Pu) | 36,5 |
| Basic dynamic load rating (C) | 119 kN |
| Basic static load rating (C0) | 325 kN |



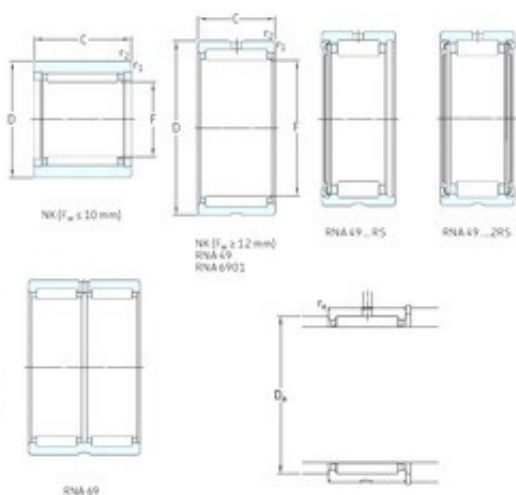
Bearing No. RNA4824

| | |
|-------------------------------|------------|
| D | 150 mm |
| C | 30 mm |
| Fw | 130 mm |
| Weight | 0,73 Kg |
| Size (mm) | 130x150x30 |
| Width (mm) | 30 |
| Bearing number | RNA4824 |
| Reference speed | 3200 r/min |
| Bore Diameter (mm) | 130 |
| Outer Diameter (mm) | 150 |
| Fatigue load limit (Pu) | 29 |
| Basic dynamic load rating (C) | 99 kN |
| Basic static load rating (C0) | 255 kN |



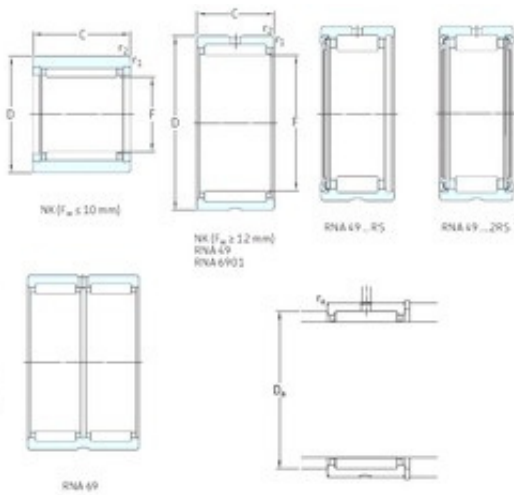
Bearing No. RNA4822

| | |
|-------------------------------|------------|
| D | 140 mm |
| C | 30 mm |
| Fw | 120 mm |
| Weight | 0,66 Kg |
| Size (mm) | 120x140x30 |
| Width (mm) | 30 |
| Bearing number | RNA4822 |
| Reference speed | 3400 r/min |
| Bore Diameter (mm) | 120 |
| Outer Diameter (mm) | 140 |
| Fatigue load limit (Pu) | 27 |
| Basic dynamic load rating (C) | 93,5 kN |
| Basic static load rating (C0) | 232 kN |



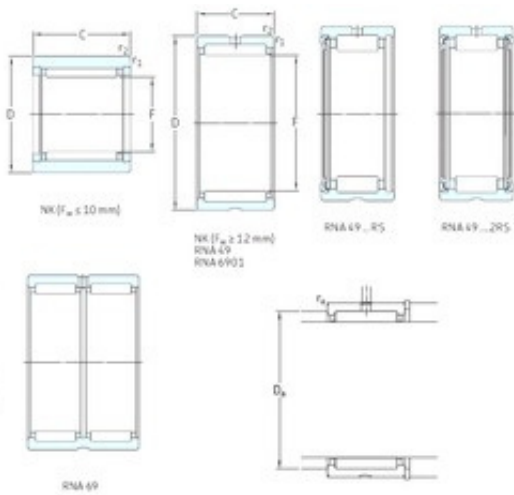
Bearing No. RNA4910

| | |
|-------------------------------|------------|
| D | 72 mm |
| C | 22 mm |
| Fw | 58 mm |
| Weight | 0,16 Kg |
| Size (mm) | 58x72x22 |
| Width (mm) | 22 |
| Bearing number | RNA4910 |
| Reference speed | 7000 r/min |
| Bore Diameter (mm) | 58 |
| Outer Diameter (mm) | 72 |
| Fatigue load limit (Pu) | 10,6 |
| Basic dynamic load rating (C) | 47,3 kN |
| Basic static load rating (C0) | 85 kN |



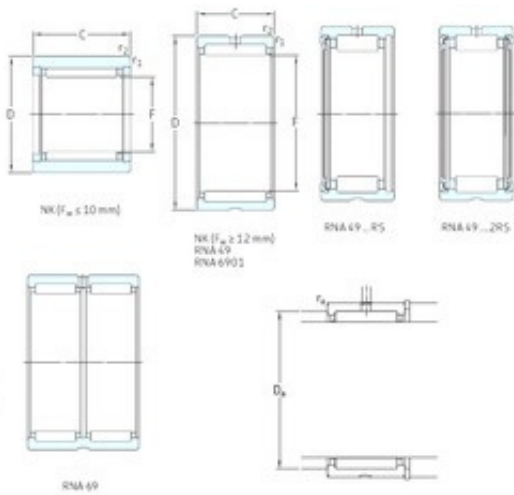
Bearing No. RNA4909

| | |
|-------------------------------|------------|
| D | 68 mm |
| C | 22 mm |
| Fw | 52 mm |
| Weight | 0,18 Kg |
| Size (mm) | 52x68x22 |
| Width (mm) | 22 |
| Bearing number | RNA4909 |
| Reference speed | 7500 r/min |
| Bore Diameter (mm) | 52 |
| Outer Diameter (mm) | 68 |
| Fatigue load limit (Pu) | 9,65 |
| Basic dynamic load rating (C) | 45,7 kN |
| Basic static load rating (C0) | 78 kN |



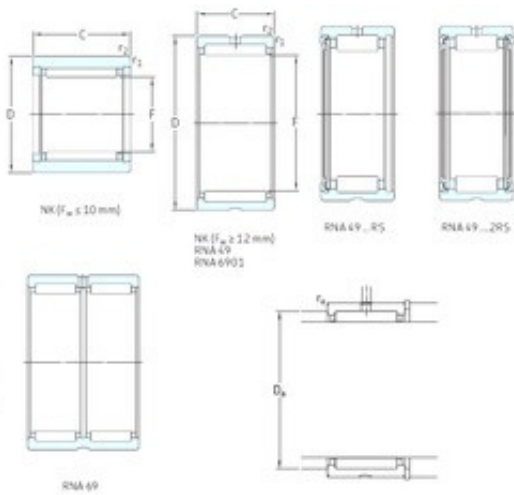
Bearing No. RNA4908

| | |
|-------------------------------|------------|
| D | 62 mm |
| C | 22 mm |
| Fw | 48 mm |
| Weight | 0,14 Kg |
| Size (mm) | 48x62x22 |
| Width (mm) | 22 |
| Bearing number | RNA4908 |
| Reference speed | 8000 r/min |
| Bore Diameter (mm) | 48 |
| Outer Diameter (mm) | 62 |
| Fatigue load limit (Pu) | 8,8 |
| Basic dynamic load rating (C) | 42,9 kN |
| Basic static load rating (C0) | 71 kN |



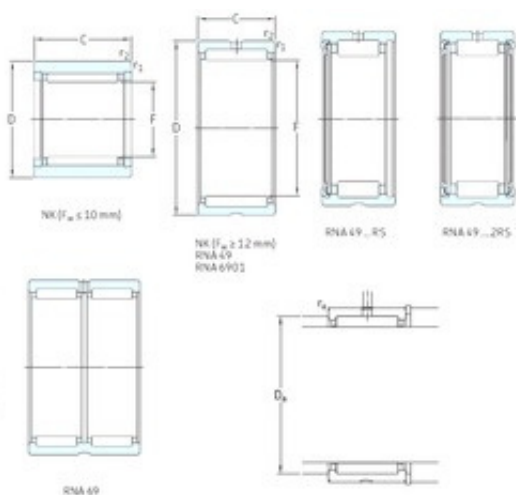
Bearing No. RNA4907

| | |
|-------------------------------|------------|
| D | 55 mm |
| C | 20 mm |
| Fw | 42 mm |
| Weight | 0,11 Kg |
| Size (mm) | 42x55x20 |
| Width (mm) | 20 |
| Bearing number | RNA4907 |
| Reference speed | 9500 r/min |
| Bore Diameter (mm) | 42 |
| Outer Diameter (mm) | 55 |
| Fatigue load limit (Pu) | 6,7 |
| Basic dynamic load rating (C) | 31,9 kN |
| Basic static load rating (C0) | 54 kN |



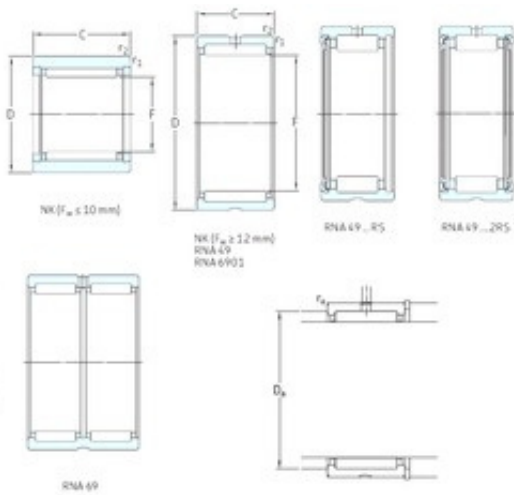
Bearing No. RNA4906

| | |
|-------------------------------|-------------|
| D | 47 mm |
| C | 17 mm |
| Fw | 35 mm |
| Weight | 0,069 Kg |
| Size (mm) | 35x47x17 |
| Width (mm) | 17 |
| Bearing number | RNA4906 |
| Reference speed | 11000 r/min |
| Bore Diameter (mm) | 35 |
| Outer Diameter (mm) | 47 |
| Fatigue load limit (Pu) | 4,65 |
| Basic dynamic load rating (C) | 25,5 kN |
| Basic static load rating (C0) | 39 kN |



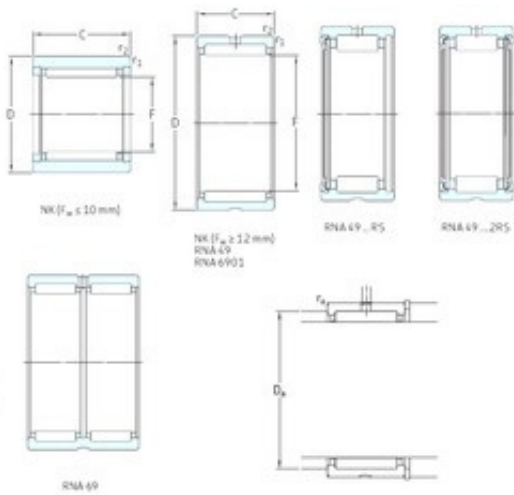
Bearing No. RNA4904

| | |
|-------------------------------|-------------|
| D | 37 mm |
| C | 17 mm |
| Fw | 25 mm |
| Weight | 0,052 Kg |
| Size (mm) | 25x37x17 |
| Width (mm) | 17 |
| Bearing number | RNA4904 |
| Reference speed | 15000 r/min |
| Bore Diameter (mm) | 25 |
| Outer Diameter (mm) | 37 |
| Fatigue load limit (Pu) | 3,35 |
| Basic dynamic load rating (C) | 21,6 kN |
| Basic static load rating (C0) | 28 kN |



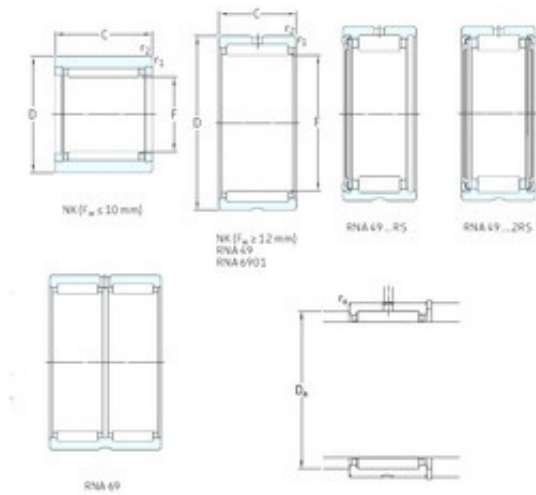
Bearing No. RNA4903

| | |
|-------------------------------|-------------|
| D | 30 mm |
| C | 13 mm |
| Fw | 22 mm |
| Weight | 0,022 Kg |
| Size (mm) | 22x30x13 |
| Width (mm) | 13 |
| Bearing number | RNA4903 |
| Reference speed | 18000 r/min |
| Bore Diameter (mm) | 22 |
| Outer Diameter (mm) | 30 |
| Fatigue load limit (Pu) | 1,96 |
| Basic dynamic load rating (C) | 11,4 kN |
| Basic static load rating (C0) | 16,3 kN |



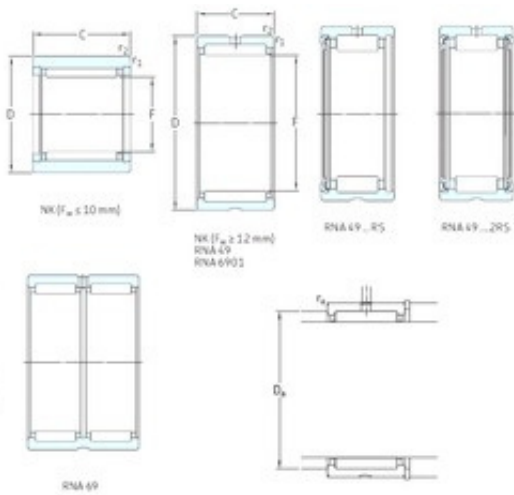
Bearing No. RNA4902

| | |
|-------------------------------|-------------|
| D | 28 mm |
| C | 13 mm |
| Fw | 20 mm |
| Weight | 0,022 Kg |
| Size (mm) | 20x28x13 |
| Width (mm) | 13 |
| Bearing number | RNA4902 |
| Reference speed | 19000 r/min |
| Bore Diameter (mm) | 20 |
| Outer Diameter (mm) | 28 |
| Fatigue load limit (Pu) | 1,83 |
| Basic dynamic load rating (C) | 11,2 kN |
| Basic static load rating (C0) | 15,3 kN |



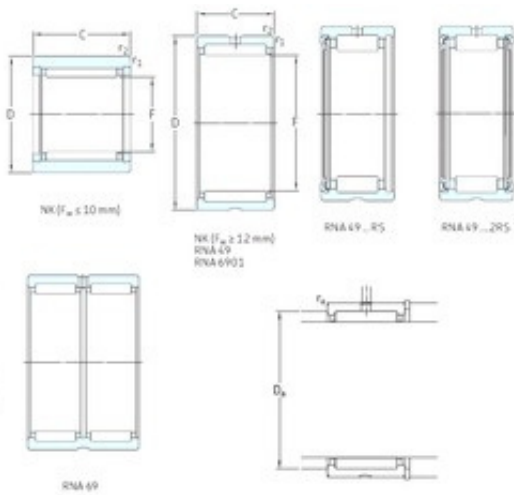
Bearing No. RNA4901

| | |
|-------------------------------|-------------|
| D | 24 mm |
| C | 13 mm |
| Fw | 16 mm |
| Weight | 0,017 Kg |
| Size (mm) | 16x24x13 |
| Width (mm) | 13 |
| Bearing number | RNA4901 |
| Reference speed | 22000 r/min |
| Bore Diameter (mm) | 16 |
| Outer Diameter (mm) | 24 |
| Fatigue load limit (Pu) | 1,46 |
| Basic dynamic load rating (C) | 9,9 kN |
| Basic static load rating (C0) | 12,2 kN |



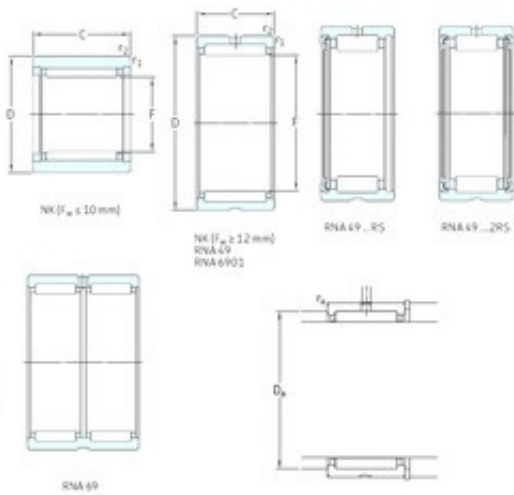
Bearing No. RNA4900

| | |
|-------------------------------|-------------|
| D | 22 mm |
| C | 13 mm |
| Fw | 14 mm |
| Weight | 0,017 Kg |
| Size (mm) | 14x22x13 |
| Width (mm) | 13 |
| Bearing number | RNA4900 |
| Reference speed | 24000 r/min |
| Bore Diameter (mm) | 14 |
| Outer Diameter (mm) | 22 |
| Fatigue load limit (Pu) | 1,22 |
| Basic dynamic load rating (C) | 8,8 kN |
| Basic static load rating (C0) | 10,4 kN |



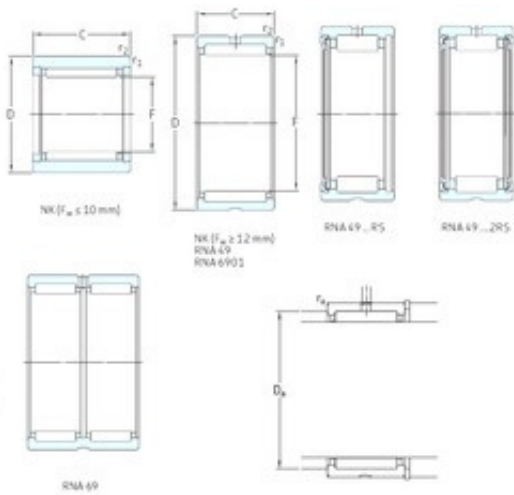
Bearing No. RNA6910

| | |
|-------------------------------|------------|
| D | 72 mm |
| C | 40 mm |
| Fw | 58 mm |
| Weight | 0,31 Kg |
| Size (mm) | 58x72x40 |
| Width (mm) | 40 |
| Bearing | RNA6910 |
| Reference speed | 7000 r/min |
| Bore Diameter (mm) | 58 |
| Outer Diameter (mm) | 72 |
| Fatigue load limit (Pu) | 18,6 |
| Basic dynamic load rating (C) | 73,7 kN |
| Basic static load rating (C0) | 150 kN |



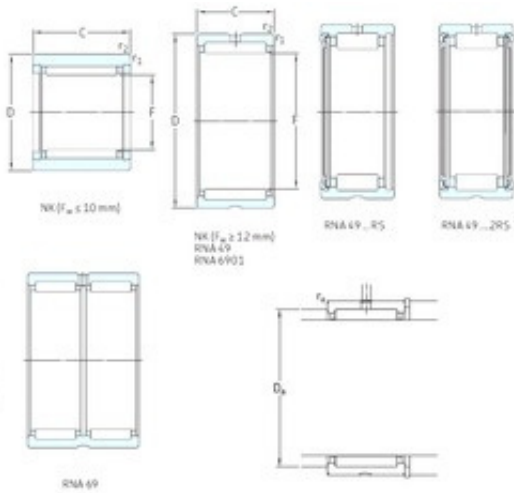
Bearing No. RNA6909

| | |
|-------------------------------|------------|
| D | 68 mm |
| C | 40 mm |
| Fw | 52 mm |
| Weight | 0,34 Kg |
| Size (mm) | 52x68x40 |
| Width (mm) | 40 |
| Bearing number | RNA6909 |
| Reference speed | 7500 r/min |
| Bore Diameter (mm) | 52 |
| Outer Diameter (mm) | 68 |
| Fatigue load limit (Pu) | 17 |
| Basic dynamic load rating (C) | 70,4 kN |
| Basic static load rating (C0) | 137 kN |



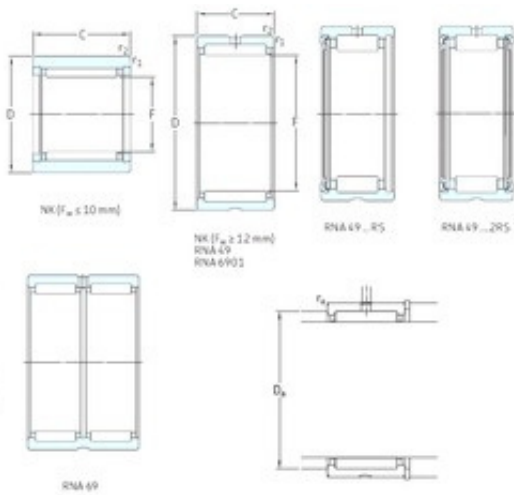
Bearing No. RNA6907

| | |
|-------------------------------|------------|
| D | 55 mm |
| C | 36 mm |
| Fw | 42 mm |
| Weight | 0,19 Kg |
| Size (mm) | 42x55x36 |
| Width (mm) | 36 |
| Bearing number | RNA6907 |
| Reference speed | 9500 r/min |
| Bore Diameter (mm) | 42 |
| Outer Diameter (mm) | 55 |
| Fatigue load limit (Pu) | 11,4 |
| Basic dynamic load rating (C) | 48,4 kN |
| Basic static load rating (C0) | 93 kN |



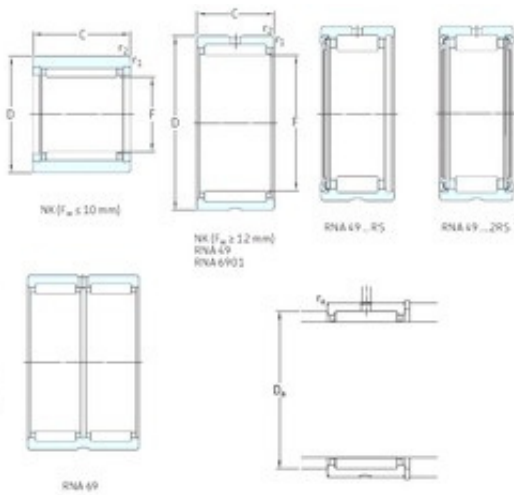
Bearing No. RNA6906

| | |
|-------------------------------|-------------|
| D | 47 mm |
| C | 30 mm |
| Fw | 35 mm |
| Weight | 0,13 Kg |
| Size (mm) | 35x47x30 |
| Width (mm) | 30 |
| Bearing number | RNA6906 |
| Reference speed | 11000 r/min |
| Bore Diameter (mm) | 35 |
| Outer Diameter (mm) | 47 |
| Fatigue load limit (Pu) | 9,3 |
| Basic dynamic load rating (C) | 42,9 kN |
| Basic static load rating (C0) | 75 kN |



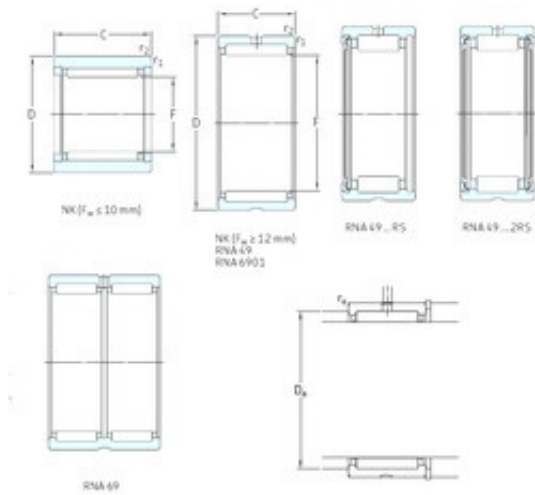
Bearing No. RNA6905

| | |
|-------------------------------|-------------|
| D | 42 mm |
| C | 30 mm |
| Fw | 30 mm |
| Weight | 0,11 Kg |
| Size (mm) | 30x42x30 |
| Width (mm) | 30 |
| Bearing number | RNA6905 |
| Reference speed | 13000 r/min |
| Bore Diameter (mm) | 30 |
| Outer Diameter (mm) | 42 |
| Fatigue load limit (Pu) | 7,65 |
| Basic dynamic load rating (C) | 38 kN |
| Basic static load rating (C0) | 62 kN |



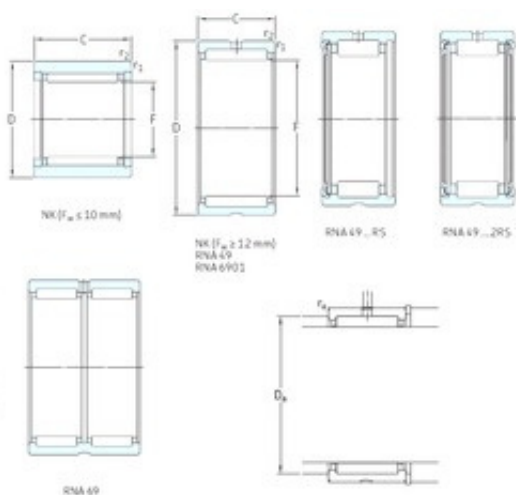
Bearing No. RNA6904

| | |
|-------------------------------|-------------|
| D | 37 mm |
| C | 30 mm |
| Fw | 25 mm |
| Weight | 0,1 Kg |
| Size (mm) | 25x37x30 |
| Width (mm) | 30 |
| Bearing number | RNA6904 |
| Reference speed | 15000 r/min |
| Bore Diameter (mm) | 25 |
| Outer Diameter (mm) | 37 |
| Fatigue load limit (Pu) | 6,55 |
| Basic dynamic load rating (C) | 35,2 kN |
| Basic static load rating (C0) | 53 kN |



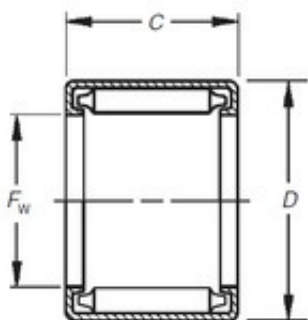
Bearing No. RNA6903

| | |
|-------------------------------|-------------|
| D | 30 mm |
| C | 23 mm |
| Fw | 22 mm |
| Weight | 0,042 Kg |
| Size (mm) | 22x30x23 |
| Width (mm) | 23 |
| Bearing number | RNA6903 |
| Reference speed | 18000 r/min |
| Bore Diameter (mm) | 22 |
| Outer Diameter (mm) | 30 |
| Fatigue load limit (Pu) | 3,75 |
| Basic dynamic load rating (C) | 18,7 kN |
| Basic static load rating (C0) | 30,5 kN |



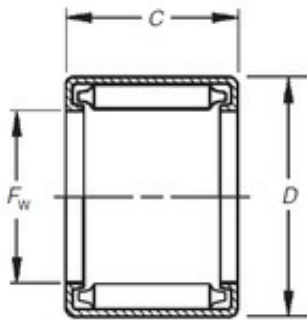
Bearing No. RNA6902

| | |
|-------------------------------|-------------|
| D | 28 mm |
| C | 23 mm |
| Fw | 20 mm |
| Weight | 0,04 Kg |
| Size (mm) | 20x28x23 |
| Width (mm) | 23 |
| Bearing number | RNA6902 |
| Reference speed | 19000 r/min |
| Bore Diameter (mm) | 20 |
| Outer Diameter (mm) | 28 |
| Fatigue load limit (Pu) | 3,35 |
| Basic dynamic load rating (C) | 17,2 kN |
| Basic static load rating (C0) | 27 kN |



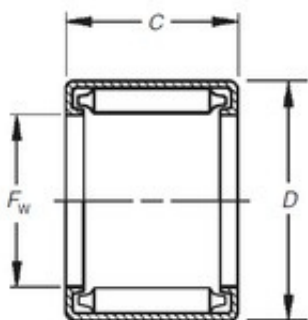
Bearing No. B-56

| | |
|-------------------------------|-----------------|
| D | 12,7 mm |
| C | 9,53 mm |
| Fw | 7,938 mm |
| Weight | 0,005 Kg |
| Size (mm) | 7.938x12.7x9.53 |
| Width (mm) | 9,53 |
| Bearing number | B-56 |
| Bore Diameter (mm) | 7,938 |
| Outer Diameter (mm) | 12,7 |
| (Grease) Lubrication Speed | 5400 r/min |
| Basic dynamic load rating (C) | 5,25 kN |
| Basic static load rating (C0) | 6,32 kN |



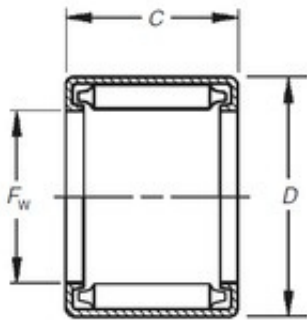
Bearing No. B-55

| | |
|-------------------------------|-----------------|
| D | 12,7 mm |
| C | 7,92 mm |
| Fw | 7,938 mm |
| Weight | 0,004 Kg |
| Size (mm) | 7.938x12.7x7.92 |
| Width (mm) | 7,92 |
| Bearing number | B-55 |
| Bore Diameter (mm) | 7,938 |
| Outer Diameter (mm) | 12,7 |
| (Grease) Lubrication Speed | 5400 r/min |
| Basic dynamic load rating (C) | 4,09 kN |
| Basic static load rating (C0) | 4,58 kN |



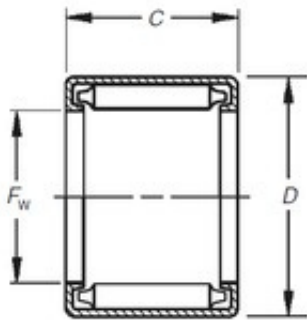
Bearing No. B-47

| | |
|-------------------------------|-------------------|
| D | 11,113 mm |
| C | 11,13 mm |
| Fw | 6,35 mm |
| Weight | 0,004 Kg |
| Size (mm) | 6.35x11.113x11.13 |
| Width (mm) | 11,13 |
| Bearing number | B-47 |
| Bore Diameter (mm) | 6,35 |
| Outer Diameter (mm) | 11,113 |
| (Grease) Lubrication Speed | 6500 r/min |
| Basic dynamic load rating (C) | 5,52 kN |
| Basic static load rating (C0) | 6,45 kN |



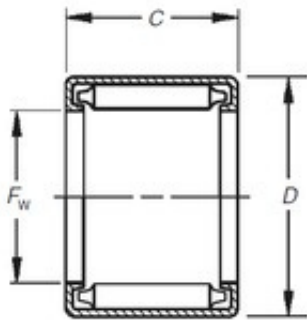
Bearing No. B-45

| | |
|-------------------------------|------------------|
| D | 11,113 mm |
| C | 7,92 mm |
| Fw | 6,35 mm |
| Weight | 0,003 Kg |
| Size (mm) | 6.35x11.113x7.92 |
| Width (mm) | 7,92 |
| Bearing number | B-45 |
| Bore Diameter (mm) | 6,35 |
| Outer Diameter (mm) | 11,113 |
| (Grease) Lubrication Speed | 6500 r/min |
| Basic dynamic load rating (C) | 3,56 kN |
| Basic static load rating (C0) | 3,69 kN |



Bearing No. B-44

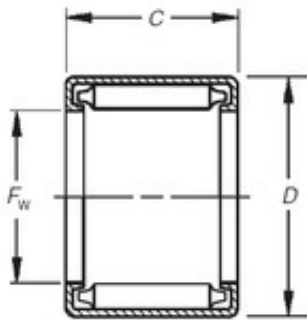
| | |
|-------------------------------|------------------|
| D | 11,113 mm |
| C | 6,35 mm |
| Fw | 6,35 mm |
| Weight | 0,002 Kg |
| Size (mm) | 6.35x11.113x6.35 |
| Width (mm) | 6,35 |
| Bearing number | B-44 |
| Bore Diameter (mm) | 6,35 |
| Outer Diameter (mm) | 11,113 |
| (Grease) Lubrication Speed | 6500 r/min |
| Basic dynamic load rating (C) | 2,76 kN |
| Basic static load rating (C0) | 2,62 kN |



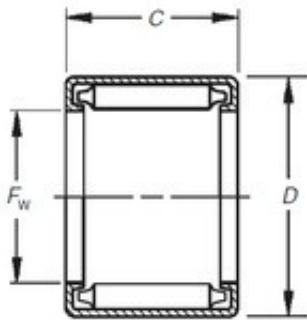
Bearing No. B-36

| | |
|-------------------------------|------------------|
| D | 8,733 mm |
| C | 9,53 mm |
| Fw | 4,763 mm |
| Weight | 0,002 Kg |
| Size (mm) | 4.763x8.733x9.53 |
| Width (mm) | 9,53 |
| Bearing number | B-36 |
| Bore Diameter (mm) | 4,763 |
| Outer Diameter (mm) | 8,733 |
| (Grease) Lubrication Speed | 7000 r/min |
| Basic dynamic load rating (C) | 3,78 kN |
| Basic static load rating (C0) | 4,23 kN |

Bearing No. B-34

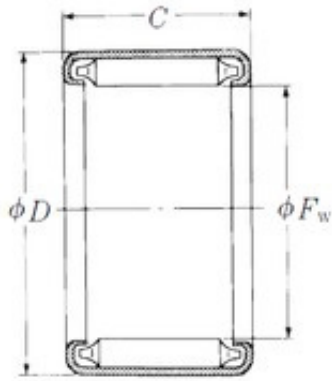


| | |
|-------------------------------|------------------|
| D | 8,733 mm |
| C | 6,35 mm |
| Fw | 4,763 mm |
| Weight | 0,001 Kg |
| Size (mm) | 4.763x8.733x6.35 |
| Width (mm) | 6,35 |
| Bearing number | B-34 |
| Bore Diameter (mm) | 4,763 |
| Outer Diameter (mm) | 8,733 |
| (Grease) Lubrication Speed | 7000 r/min |
| Basic dynamic load rating (C) | 2,22 kN |
| Basic static load rating (C0) | 2,14 kN |



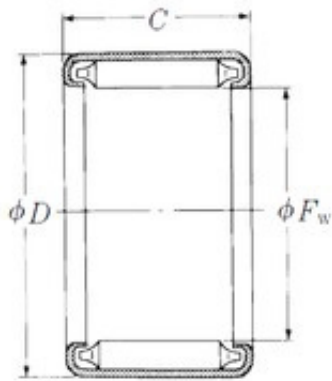
Bearing No. B-24

| | |
|-------------------------------|-----------------|
| D | 6,35 mm |
| C | 6,35 mm |
| Fw | 3,175 mm |
| Weight | 0,001 Kg |
| Size (mm) | 3.175x6.35x6.35 |
| Width (mm) | 6,35 |
| Bearing number | B-24 |
| Bore Diameter (mm) | 3,175 |
| Outer Diameter (mm) | 6,35 |
| (Grease) Lubrication Speed | 8100 r/min |
| Basic dynamic load rating (C) | 1,73 kN |
| Basic static load rating (C0) | 1,65 kN |



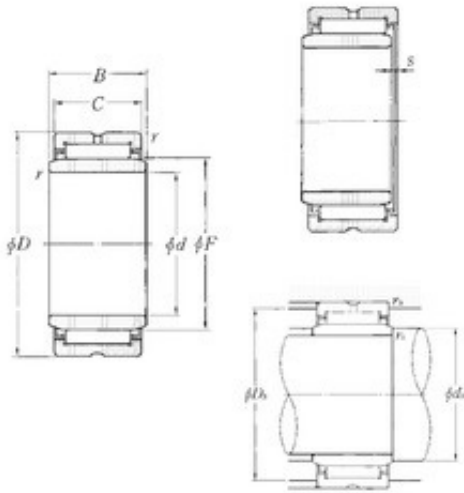
Bearing No. B-2 1/2 5

| | |
|-------------------------------|------------------|
| D | 7,144 mm |
| C | 7,92 mm |
| Fw | 3,969 mm |
| Weight | 0,0014 Kg |
| Size (mm) | 3.969x7.144x7.92 |
| Width (mm) | 7,92 |
| Bearing number | B-2 1/2 5 |
| Bore Diameter (mm) | 3,969 |
| Outer Diameter (mm) | 7,144 |
| Basic dynamic load rating (C) | 2,52 kN |



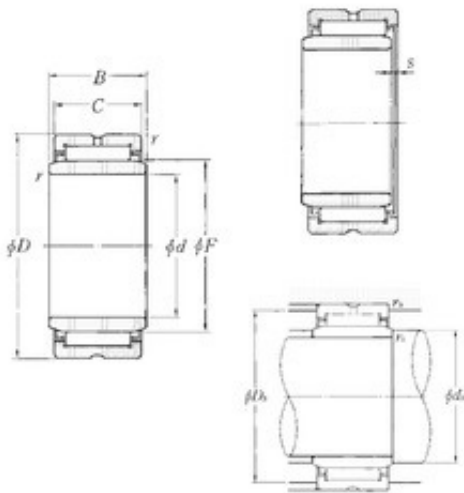
Bearing No. B-2 1/2 4

| | |
|-------------------------------|------------------|
| D | 7,144 mm |
| C | 6,35 mm |
| Fw | 3,969 mm |
| Weight | 0,0009 Kg |
| Size (mm) | 3.969x7.144x6.35 |
| Width (mm) | 6,35 |
| Bearing number | B-2 1/2 4 |
| Bore Diameter (mm) | 3,969 |
| Outer Diameter (mm) | 7,144 |
| Basic dynamic load rating (C) | 1,93 kN |



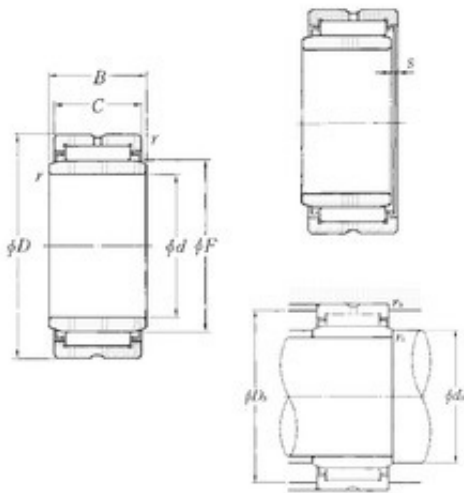
Bearing No. MR243320+MI-192420

| | |
|-------------------------------|--------------------|
| C | 31,75 mm |
| d | 30,162 mm |
| F | 38,1 mm |
| D | 52,388 mm |
| B | 32 mm |
| s | 2 mm |
| Weight | 0,286 Kg |
| r min. | 1 mm |
| Da max. | 46 mm |
| ra max. | 1,5 mm |
| da min. | 35 mm |
| Size (mm) | 30.162x52.388x32 |
| Width (mm) | 32 |
| Bearing number | MR243320+MI-192420 |
| Bore Diameter (mm) | 30,162 |
| Outer Diameter (mm) | 52,388 |
| (Grease) Lubrication Speed | 7 500 r/min |
| Basic dynamic load rating (C) | 51 kN |
| Basic static load rating (C0) | 81,5 kN |



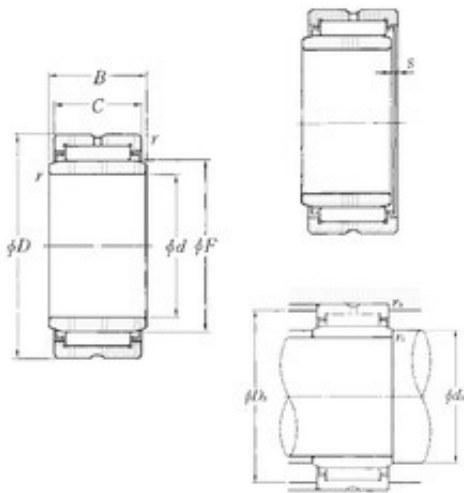
Bearing No. MR223016+MI-182216

| | |
|-------------------------------|---------------------|
| C | 25,4 mm |
| d | 28,575 mm |
| F | 34,925 mm |
| D | 47,625 mm |
| B | 25,65 mm |
| s | 3 mm |
| Weight | 0,181 Kg |
| r min. | 1 mm |
| Da max. | 42,5 mm |
| ra max. | 1 mm |
| da min. | 33,5 mm |
| Size (mm) | 28.575x47.625x25.65 |
| Width (mm) | 25,65 |
| Bearing number | MR223016+MI-182216 |
| Bore Diameter (mm) | 28,575 |
| Outer Diameter (mm) | 47,625 |
| (Grease) Lubrication Speed | 7 500 r/min |
| Basic dynamic load rating (C) | 37 kN |
| Basic static load rating (C0) | 57,5 kN |



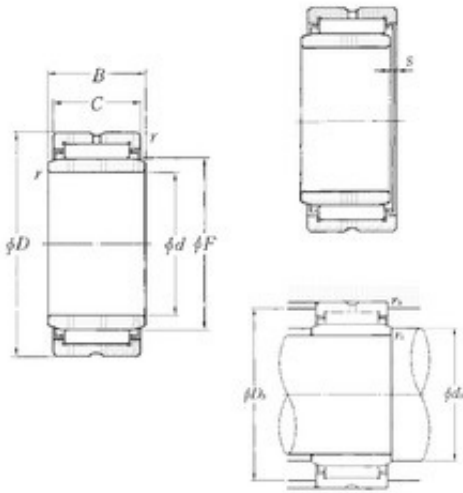
Bearing No. MR202820+MI-162020

| | |
|-------------------------------|--------------------|
| C | 31,75 mm |
| d | 25,4 mm |
| F | 31,75 mm |
| D | 44,45 mm |
| B | 32 mm |
| s | 2 mm |
| Weight | 0,201 Kg |
| r min. | 1 mm |
| Da max. | 39,5 mm |
| ra max. | 1 mm |
| da min. | 30,5 mm |
| Size (mm) | 25.4x44.45x32 |
| Width (mm) | 32 |
| Bearing number | MR202820+MI-162020 |
| Bore Diameter (mm) | 25,4 |
| Outer Diameter (mm) | 44,45 |
| (Grease) Lubrication Speed | 8 500 r/min |
| Basic dynamic load rating (C) | 43,5 kN |
| Basic static load rating (C0) | 68 kN |



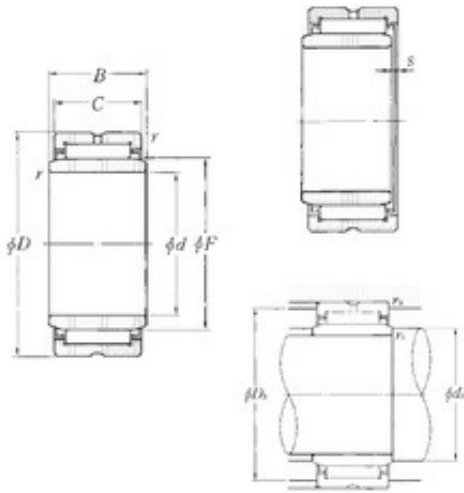
Bearing No. MR182620+MI-151820

| | |
|-------------------------------|--------------------|
| C | 31,75 mm |
| d | 23,812 mm |
| F | 28,575 mm |
| D | 41,275 mm |
| B | 32 mm |
| s | 2 mm |
| Weight | 0,176 Kg |
| r min. | 1 mm |
| Da max. | 36,5 mm |
| ra max. | 1 mm |
| da min. | 27 mm |
| Size (mm) | 23.812x41.275x32 |
| Width (mm) | 32 |
| Bearing number | MR182620+MI-151820 |
| Bore Diameter (mm) | 23,812 |
| Outer Diameter (mm) | 41,275 |
| (Grease) Lubrication Speed | 9 500 r/min |
| Basic dynamic load rating (C) | 40,5 kN |
| Basic static load rating (C0) | 60 kN |



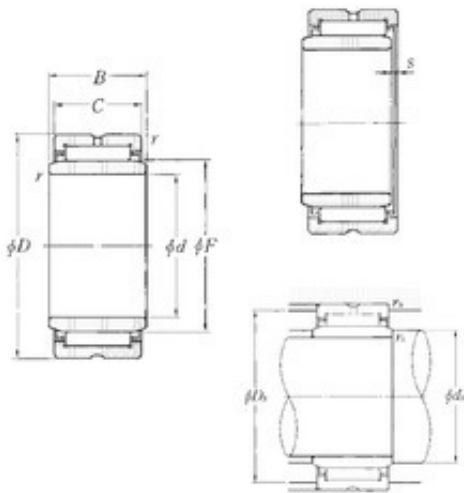
Bearing No. MR182620+MI-141820

| | |
|-------------------------------|--------------------|
| C | 31,75 mm |
| d | 22,225 mm |
| F | 28,575 mm |
| D | 41,275 mm |
| B | 32 mm |
| s | 2 mm |
| Weight | 0,193 Kg |
| r min. | 1 mm |
| Da max. | 36,5 mm |
| ra max. | 1 mm |
| da min. | 27 mm |
| Size (mm) | 22.225x41.275x32 |
| Width (mm) | 32 |
| Bearing number | MR182620+MI-141820 |
| Bore Diameter (mm) | 22,225 |
| Outer Diameter (mm) | 41,275 |
| (Grease) Lubrication Speed | 9 500 r/min |
| Basic dynamic load rating (C) | 40,5 kN |
| Basic static load rating (C0) | 60 kN |



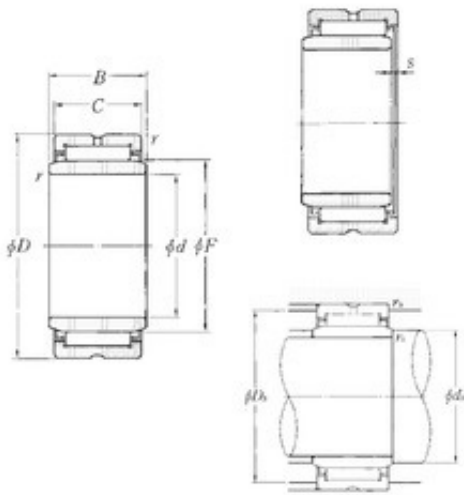
Bearing No. MR162416+MI-131616

| | |
|-------------------------------|--------------------|
| C | 25,4 mm |
| d | 20,638 mm |
| F | 25,4 mm |
| D | 38,1 mm |
| B | 25,65 mm |
| s | 2 mm |
| Weight | 0,125 Kg |
| r min. | 1 mm |
| Da max. | 33 mm |
| ra max. | 1 mm |
| da min. | 24 mm |
| Size (mm) | 20.638x38.1x25.65 |
| Width (mm) | 25,65 |
| Bearing number | MR162416+MI-131616 |
| Bore Diameter (mm) | 20,638 |
| Outer Diameter (mm) | 38,1 |
| (Grease) Lubrication Speed | 11 000 r/min |
| Basic dynamic load rating (C) | 29,5 kN |
| Basic static load rating (C0) | 38,5 kN |



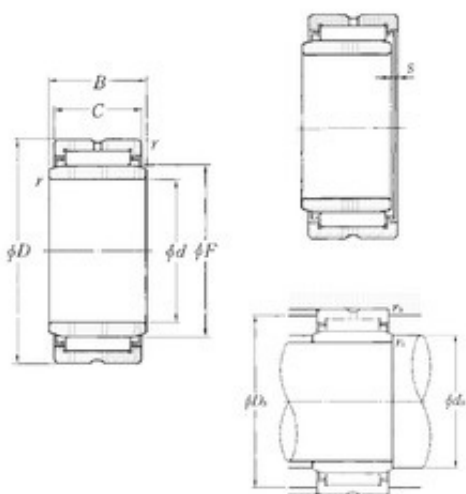
Bearing No. MR162416+MI-121616

| | |
|-------------------------------|--------------------|
| C | 25,4 mm |
| d | 19,05 mm |
| F | 25,4 mm |
| D | 38,1 mm |
| B | 25,65 mm |
| s | 1,5 mm |
| Weight | 0,136 Kg |
| r min. | 1 mm |
| Da max. | 33 mm |
| ra max. | 1 mm |
| da min. | 24 mm |
| Size (mm) | 19.05x38.1x25.65 |
| Width (mm) | 25,65 |
| Bearing number | MR162416+MI-121616 |
| Bore Diameter (mm) | 19,05 |
| Outer Diameter (mm) | 38,1 |
| (Grease) Lubrication Speed | 11 000 r/min |
| Basic dynamic load rating (C) | 29,5 kN |
| Basic static load rating (C0) | 38,5 kN |



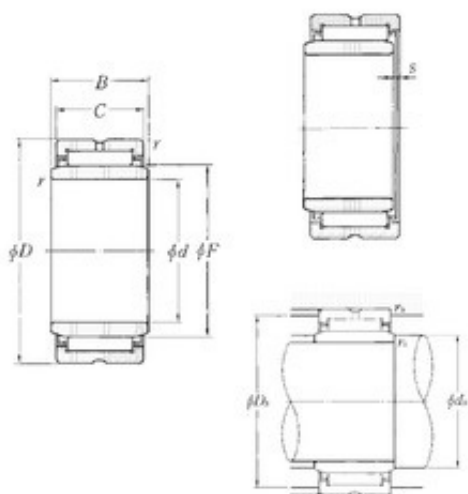
Bearing No. MR12415448+MI-10412448

| | |
|----------------------------------|----------------------------|
| C | 76,2 mm |
| d | 165,1 mm |
| F | 196,85 mm |
| D | 244,475 mm |
| B | 76,58 mm |
| s | 8,5 mm |
| Weight | 13,1 Kg |
| r min. | 3 mm |
| Da max. | 231,5 mm |
| ra max. | 3 mm |
| da min. | 178 mm |
| Size (mm) | 165.1x244.475x76.58 |
| Width (mm) | 76,58 |
| Bearing number | MR12415448+MI-10412 448 |
| Bore Diameter (mm) | 165,1 |
| Outer Diameter (mm) | 244,475 |
| (Grease) Lubrication Speed | 1 300 r/min |
| Basic dynamic load rating (C) | 455 kN |
| Basic static load rating (C0) | 990 kN |



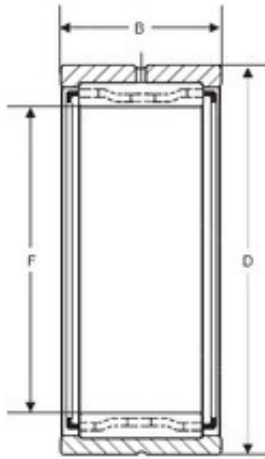
Bearing No. MR10412848+MI-8810448

| | |
|-------------------------------|-----------------------|
| C | 76,2 mm |
| d | 139,7 mm |
| F | 165,1 mm |
| D | 203,2 mm |
| B | 76,58 mm |
| s | 5,5 mm |
| Weight | 8,22 Kg |
| r min. | 3 mm |
| Da max. | 190 mm |
| ra max. | 3 mm |
| da min. | 152,5 mm |
| Size (mm) | 139.7x203.2x76.58 |
| Width (mm) | 76,58 |
| Bearing number | MR10412848+MI-8810448 |
| Bore Diameter (mm) | 139,7 |
| Outer Diameter (mm) | 203,2 |
| (Grease) Lubrication Speed | 1 600 r/min |
| Basic dynamic load rating (C) | 390 kN |
| Basic static load rating (C0) | 870 kN |



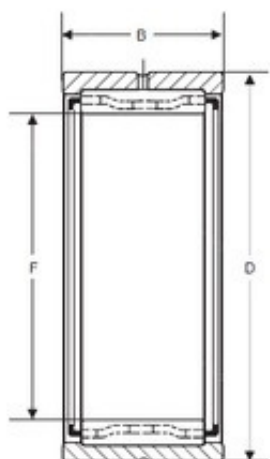
Bearing No. MR688432+MI-606832

| | |
|-------------------------------|--------------------|
| C | 50,8 mm |
| d | 95,25 mm |
| F | 107,95 mm |
| D | 133,35 mm |
| B | 51,05 mm |
| s | 2,5 mm |
| Weight | 2,17 Kg |
| r min. | 2,5 mm |
| Da max. | 124,5 mm |
| ra max. | 2,5 mm |
| da min. | 104,5 mm |
| Size (mm) | 95.25x133.35x51.05 |
| Width (mm) | 51,05 |
| Bearing number | MR688432+MI-606832 |
| Bore Diameter (mm) | 95,25 |
| Outer Diameter (mm) | 133,35 |
| (Grease) Lubrication Speed | 2 500 r/min |
| Basic dynamic load rating (C) | 172 kN |
| Basic static load rating (C0) | 360 kN |



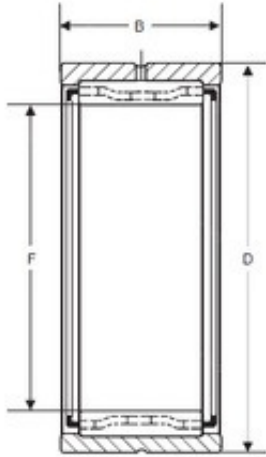
Bearing No. MR-16-N

| | |
|---------------------|-----------------|
| D | 38,1 mm |
| d | 25,4 mm |
| C | 19,05 mm |
| Size (mm) | 25.4x38.1x19.05 |
| Width (mm) | 19,05 |
| Bearing number | MR-16-N |
| Bore Diameter (mm) | 25,4 |
| Outer Diameter (mm) | 38,1 |



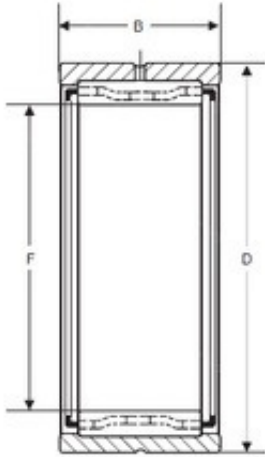
Bearing No. MR-16

| | |
|---------------------|----------------|
| D | 38,1 mm |
| d | 25,4 mm |
| C | 25,4 mm |
| Size (mm) | 25.4x38.1x25.4 |
| Width (mm) | 25,4 |
| Bearing number | MR-16 |
| Bore Diameter (mm) | 25,4 |
| Outer Diameter (mm) | 38,1 |



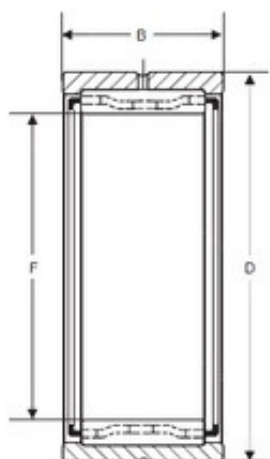
Bearing No. MR-14-N

| | |
|---------------------|-------------------|
| D | 34,92 mm |
| d | 22,22 mm |
| C | 19,05 mm |
| Size (mm) | 22.22x34.92x19.05 |
| Width (mm) | 19,05 |
| Bearing number | MR-14-N |
| Bore Diameter (mm) | 22,22 |
| Outer Diameter (mm) | 34,92 |



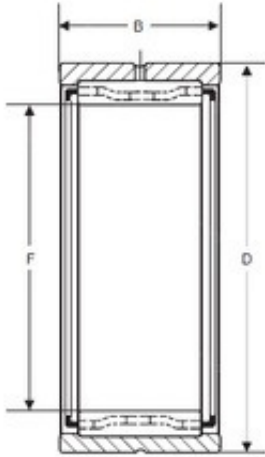
Bearing No. MR-14

| | |
|---------------------|------------------|
| D | 34,92 mm |
| d | 22,22 mm |
| C | 25,4 mm |
| Size (mm) | 22.22x34.92x25.4 |
| Width (mm) | 25,4 |
| Bearing number | MR-14 |
| Bore Diameter (mm) | 22,22 |
| Outer Diameter (mm) | 34,92 |



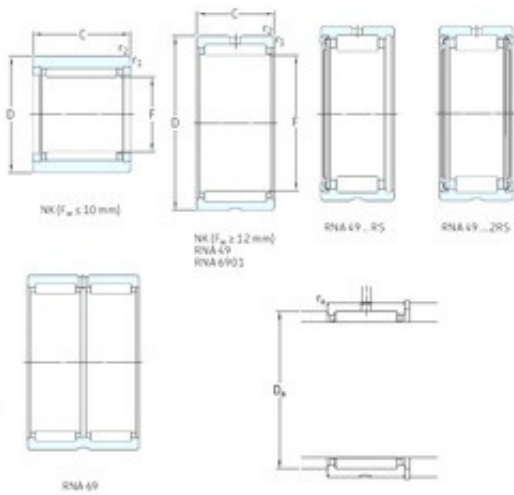
Bearing No. MR-12-N

| | |
|---------------------|-------------------|
| D | 31,75 mm |
| d | 19.05 mm |
| C | 19,05 mm |
| Size (mm) | 19.05x31.75x19.05 |
| Width (mm) | 19,05 |
| Bearing number | MR-12-N |
| Bore Diameter (mm) | 19.05 |
| Outer Diameter (mm) | 31,75 |



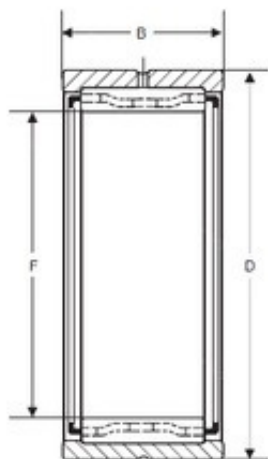
Bearing No. MR-12

| | |
|---------------------|------------------|
| D | 31,75 mm |
| d | 19.05 mm |
| C | 25,4 mm |
| Size (mm) | 19.05x31.75x25.4 |
| Width (mm) | 25,4 |
| Bearing number | MR-12 |
| Bore Diameter (mm) | 19.05 |
| Outer Diameter (mm) | 31,75 |



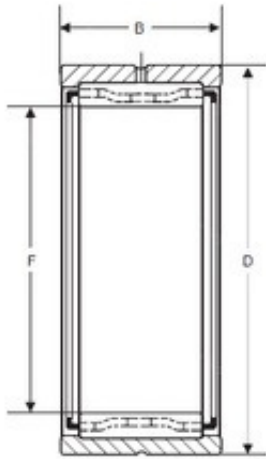
Bearing No. RNA6901

| | |
|-------------------------------|-------------|
| D | 24 mm |
| C | 22 mm |
| Fw | 16 mm |
| Weight | 0,031 Kg |
| Size (mm) | 16x24x22 |
| Width (mm) | 22 |
| Bearing number | RNA6901 |
| Reference speed | 22000 r/min |
| Bore Diameter (mm) | 16 |
| Outer Diameter (mm) | 24 |
| Fatigue load limit (Pu) | 2,75 |
| Basic dynamic load rating (C) | 16,1 kN |
| Basic static load rating (C0) | 23,2 kN |



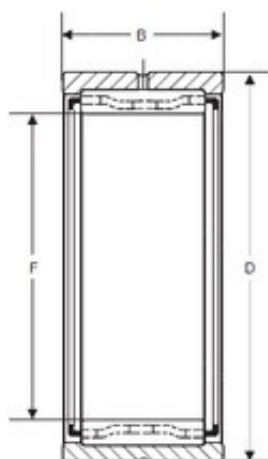
Bearing No. MR-10-N

| | |
|---------------------|--------------------|
| D | 28,57 mm |
| d | 15,875 mm |
| C | 19,05 mm |
| Size (mm) | 15.875x28.57x19.05 |
| Width (mm) | 19,05 |
| Bearing number | MR-10-N |
| Bore Diameter (mm) | 15,875 |
| Outer Diameter (mm) | 28,57 |



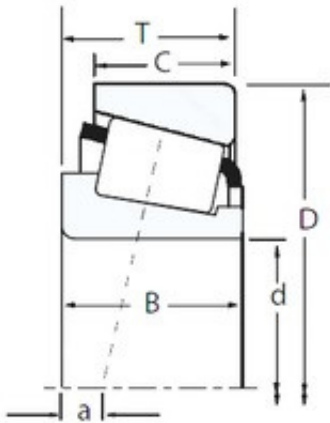
Bearing No. MR-18

| | |
|---------------------|------------------|
| D | 41,2 mm |
| d | 28,57 mm |
| C | 31,75 mm |
| Size (mm) | 28.57x41.2x31.75 |
| Width (mm) | 31,75 |
| Bearing number | MR-18 |
| Bore Diameter (mm) | 28,57 |
| Outer Diameter (mm) | 41,2 |



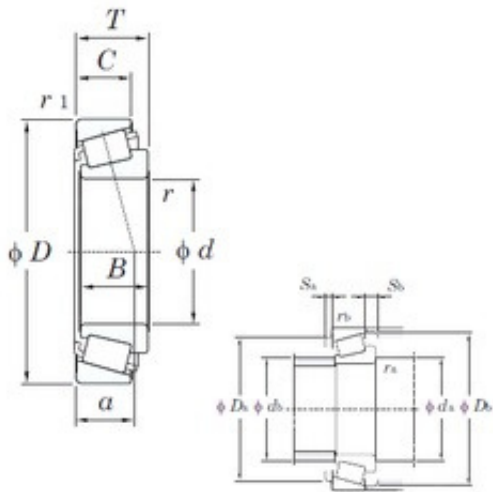
Bearing No. MR-10

| | |
|---------------------|-------------------|
| D | 28,57 mm |
| d | 15,875 mm |
| C | 25,4 mm |
| Size (mm) | 15.875x28.57x25.4 |
| Width (mm) | 25,4 |
| Bearing number | MR-10 |
| Bore Diameter (mm) | 15,875 |
| Outer Diameter (mm) | 28,57 |



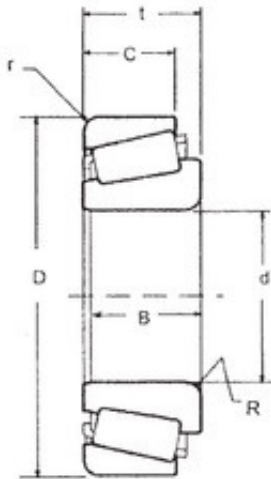
Bearing No. 385A/382

| | |
|---------------------|----------------|
| D | 98,425 mm |
| d | 50,8 mm |
| T | 21 mm |
| B | 21,946 mm |
| C | 17,826 mm |
| R | 2,3 mm |
| r | 0,8 mm |
| Size (mm) | 50.8x98.425x21 |
| Width (mm) | 21 |
| Bearing number | 385A/382 |
| Bore Diameter (mm) | 50,8 |
| Outer Diameter (mm) | 98,425 |



Bearing No. 369S/363

| | |
|-------------------------------|-----------|
| d | 47,625 mm |
| T | 20 mm |
| B | 22,225 mm |
| C | 20 mm |
| a | 15,4 mm |
| da | 57 mm |
| Db | 85 mm |
| Da | 82 mm |
| db | 53 mm |
| r min. | 2,4 mm |
| r1 min. | 0,8 mm |
| Width (mm) | 22,225 |
| Bearing number | 369S/363 |
| Bore Diameter (mm) | 47,625 |
| Calculation factor (e) | 0,32 |
| Calculation factor (Y0) | 1,03 |
| Basic dynamic load rating (C) | 74,3 kN |
| Basic static load rating (C0) | 87,3 kN |



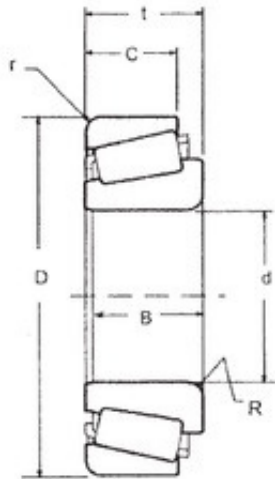
Bearing No. 369S/362A

| | |
|-------------------------------|--------------------|
| D | 88,9 mm |
| d | 47,625 mm |
| T | 20,638 mm |
| B | 22,225 mm |
| C | 16,513 mm |
| Weight | 0,561 Kg |
| Size (mm) | 47.625x88.9x20.638 |
| Width (mm) | 20,638 |
| Bearing number | 369S/362A |
| Bore Diameter (mm) | 47,625 |
| Outer Diameter (mm) | 88,9 |
| (Grease) Lubrication Speed | 4100 r/min |
| Basic dynamic load rating (C) | 76,5 kN |
| Basic static load rating (C0) | 90,5 kN |



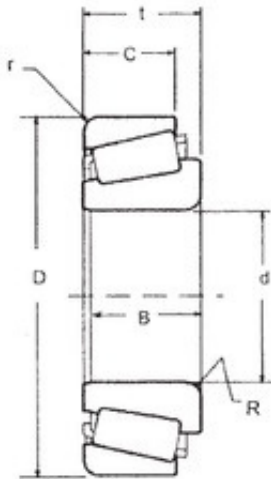
Bearing No. 369A/363

| | |
|---------------------|--------------|
| D | 90 mm |
| d | 47,625 mm |
| Size (mm) | 47.625x90x20 |
| Width (mm) | 20 |
| Bearing number | 369A/363 |
| Bore Diameter (mm) | 47,625 |
| Outer Diameter (mm) | 90 |



Bearing No. 369A/362A

| | |
|-------------------------------|--------------------|
| D | 88,9 mm |
| d | 47,625 mm |
| T | 20,638 mm |
| B | 22,225 mm |
| C | 16,513 mm |
| Weight | 0,559 Kg |
| Size (mm) | 47.625x88.9x20.638 |
| Width (mm) | 20,638 |
| Bearing number | 369A/362A |
| Bore Diameter (mm) | 47,625 |
| Outer Diameter (mm) | 88,9 |
| (Grease) Lubrication Speed | 4100 r/min |
| Basic dynamic load rating (C) | 76,5 kN |
| Basic static load rating (C0) | 90,5 kN |



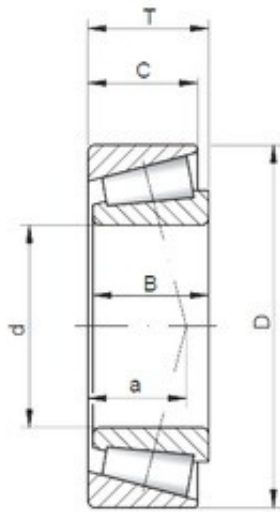
Bearing No. 368S/362A

| | |
|-------------------------------|--------------------|
| D | 88,9 mm |
| d | 51,592 mm |
| T | 20,638 mm |
| B | 22,225 mm |
| C | 16,513 mm |
| Weight | 0,507 Kg |
| Size (mm) | 51.592x88.9x20.638 |
| Width (mm) | 20,638 |
| Bearing number | 368S/362A |
| Bore Diameter (mm) | 51,592 |
| Outer Diameter (mm) | 88,9 |
| (Grease) Lubrication Speed | 4100 r/min |
| Basic dynamic load rating (C) | 76,5 kN |
| Basic static load rating (C0) | 90,5 kN |



Bearing No. 368A/362X

| | |
|---------------------|------------|
| D | 90 mm |
| d | 50,8 mm |
| Size (mm) | 50.8x90x25 |
| Width (mm) | 25 |
| Bearing number | 368A/362X |
| Bore Diameter (mm) | 50,8 |
| Outer Diameter (mm) | 90 |



Bearing No. 368A/362A

| | |
|---------------------|------------------|
| D | 88,9 mm |
| d | 50,8 mm |
| T | 20,638 mm |
| B | 22,225 mm |
| C | 16,513 mm |
| a | 4,3 mm |
| Size (mm) | 50.8x88.9x20.638 |
| Width (mm) | 20,638 |
| Bearing number | 368A/362A |
| Bore Diameter (mm) | 50,8 |
| Outer Diameter (mm) | 88,9 |



Bearing No. 359S/354X

| | |
|---------------------|------------------|
| D | 85 mm |
| d | 46,038 mm |
| Size (mm) | 46.038x85x20.638 |
| Width (mm) | 20,638 |
| Bearing number | 359S/354X |
| Bore Diameter (mm) | 46,038 |
| Outer Diameter (mm) | 85 |



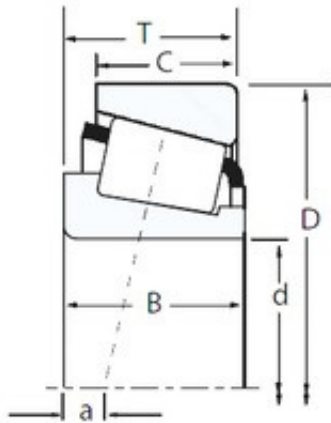
Bearing No. 359A/354X

| | |
|---------------------|------------------|
| D | 85 mm |
| d | 46,038 mm |
| Size (mm) | 46.038x85x20.638 |
| Width (mm) | 20,638 |
| Bearing number | 359A/354X |
| Bore Diameter (mm) | 46,038 |
| Outer Diameter (mm) | 85 |



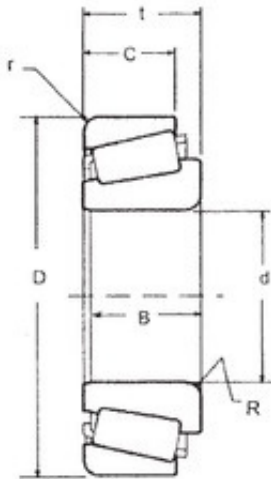
Bearing No. 355X/354X

| | |
|---------------------|-----------------|
| D | 85 mm |
| d | 44,45 mm |
| Size (mm) | 44.45x85x20.638 |
| Width (mm) | 20,638 |
| Bearing number | 355X/354X |
| Bore Diameter (mm) | 44,45 |
| Outer Diameter (mm) | 85 |



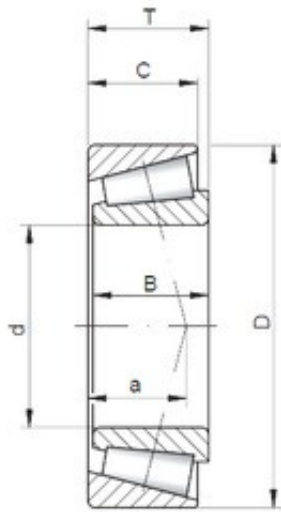
Bearing No. 355X/352

| | |
|---------------------|-----------------|
| D | 90,119 mm |
| d | 44,45 mm |
| T | 23 mm |
| B | 21,692 mm |
| C | 21,808 mm |
| R | 3,5 mm |
| r | 2,3 mm |
| Size (mm) | 44.45x90.119x23 |
| Width (mm) | 23 |
| Bearing number | 355X/352 |
| Bore Diameter (mm) | 44,45 |
| Outer Diameter (mm) | 90,119 |



Bearing No. 385A/382A

| | |
|-------------------------------|----------------|
| D | 96,838 mm |
| d | 50,8 mm |
| T | 21 mm |
| B | 21,946 mm |
| C | 15,875 mm |
| Weight | 0,676 Kg |
| Size (mm) | 50.8x96.838x21 |
| Width (mm) | 21 |
| Bearing number | 385A/382A |
| Bore Diameter (mm) | 50,8 |
| Outer Diameter (mm) | 96,838 |
| (Grease) Lubrication Speed | 3700 r/min |
| Basic dynamic load rating (C) | 78 kN |
| Basic static load rating (C0) | 96,5 kN |



Bearing No. 386A/382A

| | |
|---------------------|------------------|
| D | 96,838 mm |
| d | 47,625 mm |
| T | 21 mm |
| B | 21,946 mm |
| C | 15,875 mm |
| a | 3 mm |
| Size (mm) | 47.625x96.838x21 |
| Width (mm) | 21 |
| Bearing number | 386A/382A |
| Bore Diameter (mm) | 47,625 |
| Outer Diameter (mm) | 96,838 |



Bearing No. 30214F

| | |
|---------------------|--------------|
| D | 125 mm |
| d | 70 mm |
| Size (mm) | 70x125x26.25 |
| Width (mm) | 26,25 |
| Bearing number | 30214F |
| Bore Diameter (mm) | 70 |
| Outer Diameter (mm) | 125 |



Bearing No. 30213F

| | |
|---------------------|--------------|
| D | 120 mm |
| d | 65 mm |
| Size (mm) | 65x120x24.75 |
| Width (mm) | 24,75 |
| Bearing number | 30213F |
| Bore Diameter (mm) | 65 |
| Outer Diameter (mm) | 120 |



Bearing No. 30212F

| | |
|---------------------|--------------|
| D | 110 mm |
| d | 60 mm |
| Size (mm) | 60x110x23.75 |
| Width (mm) | 23,75 |
| Bearing number | 30212F |
| Bore Diameter (mm) | 60 |
| Outer Diameter (mm) | 110 |



Bearing No. 30211F

| | |
|---------------------|--------------|
| D | 100 mm |
| d | 55 mm |
| Size (mm) | 55x100x22.75 |
| Width (mm) | 22,75 |
| Bearing number | 30211F |
| Bore Diameter (mm) | 55 |
| Outer Diameter (mm) | 100 |



Bearing No. 30210F

| | |
|---------------------|-------------|
| D | 90 mm |
| d | 50 mm |
| Size (mm) | 50x90x21.75 |
| Width (mm) | 21,75 |
| Bearing number | 30210F |
| Bore Diameter (mm) | 50 |
| Outer Diameter (mm) | 90 |



Bearing No. 30209F

| | |
|---------------------|-------------|
| D | 85 mm |
| d | 45 mm |
| Size (mm) | 45x85x20.75 |
| Width (mm) | 20,75 |
| Bearing number | 30209F |
| Bore Diameter (mm) | 45 |
| Outer Diameter (mm) | 85 |



Bearing No. 30208F

| | |
|---------------------|-------------|
| D | 80 mm |
| d | 40 mm |
| Size (mm) | 40x80x19.75 |
| Width (mm) | 19,75 |
| Bearing number | 30208F |
| Bore Diameter (mm) | 40 |
| Outer Diameter (mm) | 80 |



Bearing No. 30207F

| | |
|---------------------|-------------|
| D | 72 mm |
| d | 35 mm |
| Size (mm) | 35x72x18.25 |
| Width (mm) | 18,25 |
| Bearing number | 30207F |
| Bore Diameter (mm) | 35 |
| Outer Diameter (mm) | 72 |



Bearing No. 30206F

| | |
|---------------------|-------------|
| D | 62 mm |
| d | 30 mm |
| Size (mm) | 30x62x17.25 |
| Width (mm) | 17,25 |
| Bearing number | 30206F |
| Bore Diameter (mm) | 30 |
| Outer Diameter (mm) | 62 |



Bearing No. 30205F

| | |
|---------------------|-------------|
| D | 52 mm |
| d | 25 mm |
| Size (mm) | 25x52x16.25 |
| Width (mm) | 16,25 |
| Bearing number | 30205F |
| Bore Diameter (mm) | 25 |
| Outer Diameter (mm) | 52 |



Bearing No. 30204F

| | |
|---------------------|-------------|
| D | 47 mm |
| d | 20 mm |
| Size (mm) | 20x47x15.25 |
| Width (mm) | 15,25 |
| Bearing number | 30204F |
| Bore Diameter (mm) | 20 |
| Outer Diameter (mm) | 47 |



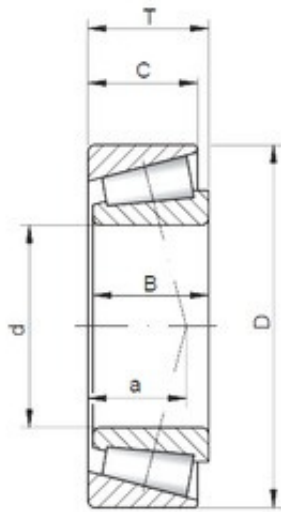
Bearing No. 30203F

| | |
|---------------------|-------------|
| D | 40 mm |
| d | 17 mm |
| Size (mm) | 17x40x13.25 |
| Width (mm) | 13,25 |
| Bearing number | 30203F |
| Bore Diameter (mm) | 17 |
| Outer Diameter (mm) | 40 |



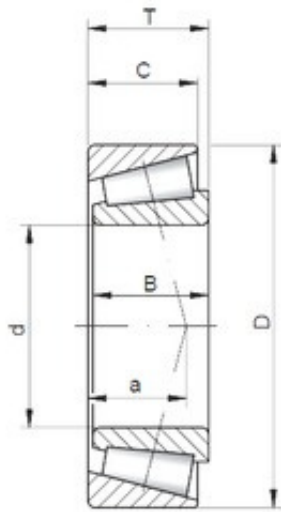
Bearing No. 30202F

| | |
|---------------------|-------------|
| D | 35 mm |
| d | 15 mm |
| Size (mm) | 15x35x11.75 |
| Width (mm) | 11,75 |
| Bearing number | 30202F |
| Bore Diameter (mm) | 15 |
| Outer Diameter (mm) | 35 |



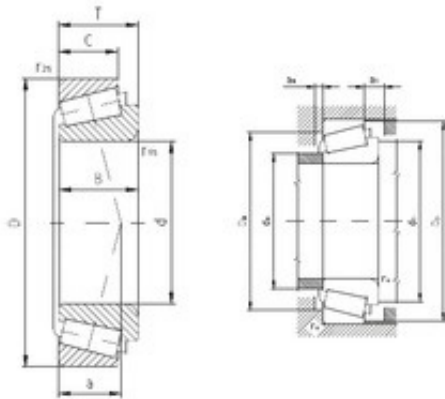
Bearing No. T4DB160

| | |
|---------------------|------------|
| D | 220 mm |
| d | 160 mm |
| T | 32 mm |
| B | 30 mm |
| C | 23 mm |
| a | 44,7 mm |
| Size (mm) | 160x220x32 |
| Width (mm) | 32 |
| Bearing number | T4DB160 |
| Bore Diameter (mm) | 160 |
| Outer Diameter (mm) | 220 |



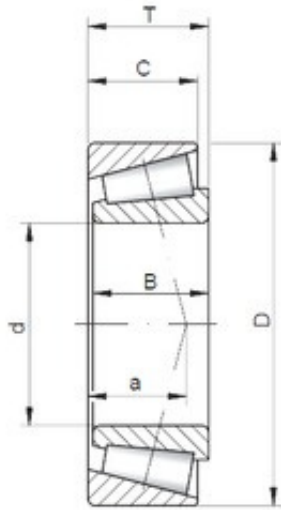
Bearing No. T4DB150

| | |
|---------------------|------------|
| D | 210 mm |
| d | 150 mm |
| T | 32 mm |
| B | 30 mm |
| C | 23 mm |
| a | 41 mm |
| Size (mm) | 150x210x32 |
| Width (mm) | 32 |
| Bearing number | T4DB150 |
| Bore Diameter (mm) | 150 |
| Outer Diameter (mm) | 210 |



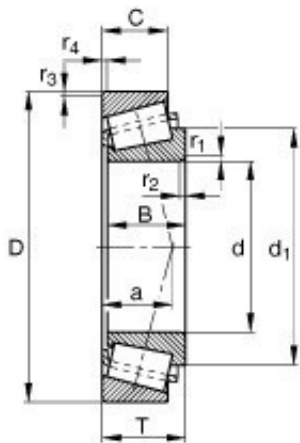
Bearing No. T4CB120

| | |
|-------------------------------|-------------|
| B | 25 mm |
| T | 27 mm |
| a | 34,5 mm |
| C | 19,5 mm |
| d | 120 mm |
| D | 170 mm |
| Da min | 157 mm |
| da max | 130 mm |
| db min | 132 mm |
| Weight | 1,7 Kg |
| Db min. | 164 mm |
| ra max. | 3 mm |
| r1 min. | 3 mm |
| r2 min. | 3 mm |
| Da max. | 157 mm |
| Size (mm) | 120x170x27 |
| Width (mm) | 27 |
| Bearing number | T4CB120 |
| Bore Diameter (mm) | 120 |
| Outer Diameter (mm) | 170 |
| Calculation factor (e) | 0,47 |
| Calculation factor (Y) | 1,3 |
| (Oil) Lubrication Speed | 2 600 r/min |
| (Grease) Lubrication Speed | 2 000 r/min |
| Basic dynamic load rating (C) | 154 kN |
| Basic static load rating (C0) | 248 kN |



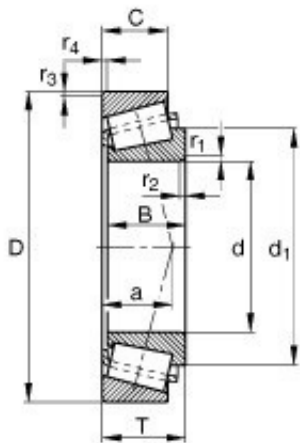
Bearing No. T2ED055

| | |
|---------------------|-----------|
| D | 110 mm |
| d | 55 mm |
| T | 39 mm |
| B | 35 mm |
| C | 27 mm |
| a | 25 mm |
| Size (mm) | 55x110x39 |
| Width (mm) | 39 |
| Bearing number | T2ED055 |
| Bore Diameter (mm) | 55 |
| Outer Diameter (mm) | 110 |



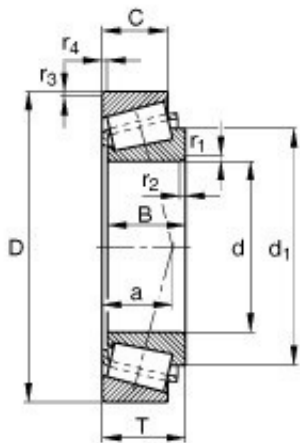
Bearing No. T7FC075

| | |
|----------------|--|
| D | 150 mm |
| d | 75 mm |
| T | 42 mm |
| a | 51 mm |
| B | 38 mm |
| C | 29 mm |
| Y | 0,69 |
| e | 0,87 |
| m | 3,27 kg / Weight |
| Size (mm) | 75x150x42 |
| Width (mm) | 42 |
| nB | 3850 1/min / Reference speed |
| nG | 4500 1/min / Limiting speed |
| Y0 | 0,38 |
| Cr | 238000 N |
| d1 | 116,2 mm |
| C0r | 275000 N / Static load rating (radial) |
| Cur | 41500 N / Fatigue limit load, radial |
| Bearing number | T7FC075 |
| Db min | 143 mm |
| da max | 87 mm |
| db min | 96 mm |
| ra max | 3 mm |
| rb max | 3 mm |
| Da min | 114 mm |
| Da max | 136 mm |



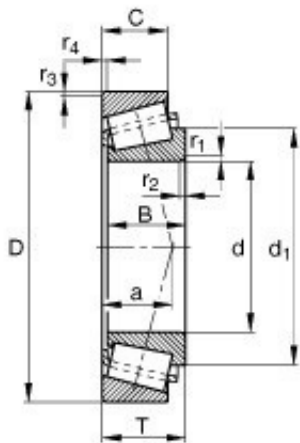
Bearing No. T7FC060

| | |
|----------------|--|
| D | 125 mm |
| d | 60 mm |
| T | 37 mm |
| a | 42 mm |
| B | 33,5 mm |
| C | 26 mm |
| Y | 0,73 |
| e | 0,82 |
| m | 2,24 kg / Weight |
| Size (mm) | 60x125x37 |
| Width (mm) | 37 |
| nB | 4600 1/min / Reference speed |
| nG | 5500 1/min / Limiting speed |
| Y0 | 0,4 |
| Cr | 181000 N |
| d1 | 96,5 mm |
| C0r | 200000 N / Static load rating (radial) |
| Cur | 29000 N / Fatigue limit load, radial |
| Bearing number | T7FC060 |
| Db min | 119 mm |
| da max | 71 mm |
| db min | 78 mm |
| ra max | 3 mm |
| rb max | 3 mm |
| Da min | 94 mm |
| Da max | 111 mm |



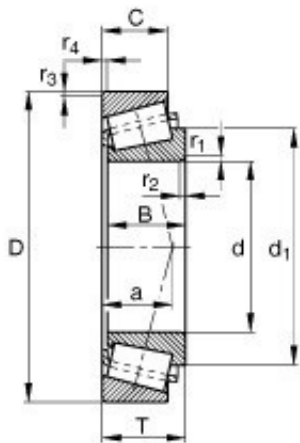
Bearing No. T7FC055

| | |
|----------------|--|
| D | 115 mm |
| d | 55 mm |
| T | 34 mm |
| a | 40 mm |
| B | 31 mm |
| C | 23,5 mm |
| Y | 0,69 |
| e | 0,87 |
| m | 1,62 kg / Weight |
| Size (mm) | 55x115x34 |
| Width (mm) | 34 |
| nB | 4950 1/min / Reference speed |
| nG | 6000 1/min / Limiting speed |
| Y0 | 0,38 |
| Cr | 152000 N |
| d1 | 88,6 mm |
| C0r | 165000 N / Static load rating (radial) |
| Cur | 25500 N / Fatigue limit load, radial |
| Bearing number | T7FC055 |
| Db min | 109 mm |
| da max | 65 mm |
| db min | 72 mm |
| ra max | 3 mm |
| rb max | 3 mm |
| Da min | 86 mm |
| Da max | 101 mm |



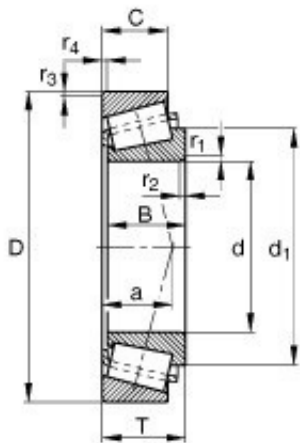
Bearing No. T7FC050

| | |
|----------------|--|
| D | 105 mm |
| d | 50 mm |
| T | 32 mm |
| a | 36 mm |
| B | 29 mm |
| C | 22 mm |
| Y | 0,69 |
| e | 0,87 |
| m | 1,24 kg / Weight |
| Size (mm) | 50x105x32 |
| Width (mm) | 32 |
| nB | 5500 1/min / Reference speed |
| nG | 6600 1/min / Limiting speed |
| Y0 | 0,38 |
| Cr | 127000 N |
| d1 | 80,9 mm |
| C0r | 135000 N / Static load rating (radial) |
| Cur | 20400 N / Fatigue limit load, radial |
| Bearing number | T7FC050 |
| Db min | 100 mm |
| da max | 59 mm |
| db min | 65 mm |
| ra max | 3 mm |
| rb max | 3 mm |
| Da min | 78 mm |
| Da max | 91 mm |



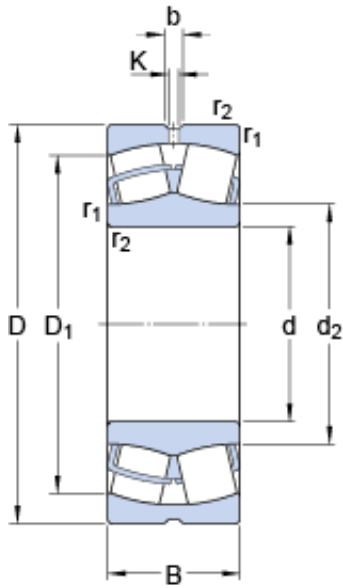
Bearing No. T7FC045

| | |
|----------------|--|
| D | 95 mm |
| d | 45 mm |
| T | 29 mm |
| a | 33 mm |
| B | 26,5 mm |
| C | 20 mm |
| Y | 0,69 |
| e | 0,87 |
| m | 0,94 kg / Weight |
| Size (mm) | 45x95x29 |
| Width (mm) | 29 |
| nB | 5900 1/min / Reference speed |
| nG | 7300 1/min / Limiting speed |
| Y0 | 0,38 |
| Cr | 105000 N |
| d1 | 73,6 mm |
| C0r | 109000 N / Static load rating (radial) |
| Cur | 15100 N / Fatigue limit load, radial |
| Bearing number | T7FC045 |
| Db min | 91 mm |
| da max | 53 mm |
| db min | 59 mm |
| ra max | 2,5 mm |
| rb max | 2,5 mm |
| Da min | 71 mm |
| Da max | 83 mm |



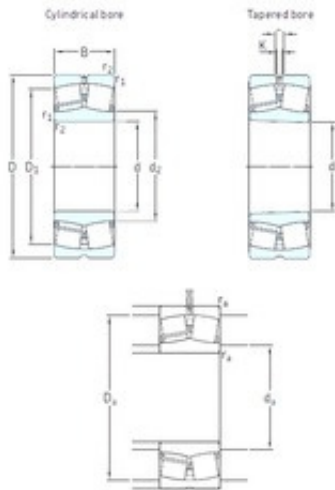
Bearing No. T4DB200

| | |
|----------------|--|
| D | 270 mm |
| d | 200 mm |
| T | 37 mm |
| a | 54 mm |
| B | 34 mm |
| C | 27 mm |
| Y | 1,27 |
| e | 0,47 |
| m | 5,55 kg / Weight |
| Size (mm) | 200x270x37 |
| Width (mm) | 37 |
| nB | 1530 1/min / Reference speed |
| nG | 2460 1/min / Limiting speed |
| Y0 | 0,7 |
| Cr | 310000 N |
| d1 | 234 mm |
| C0r | 550000 N / Static load rating (radial) |
| Cur | 63000 N / Fatigue limit load, radial |
| Bearing number | T4DB200 |
| Db min | 262 mm |
| da max | 214 mm |
| db min | 218 mm |
| ra max | 3 mm |
| rb max | 3 mm |
| Da min | 251 mm |
| Da max | 254 mm |



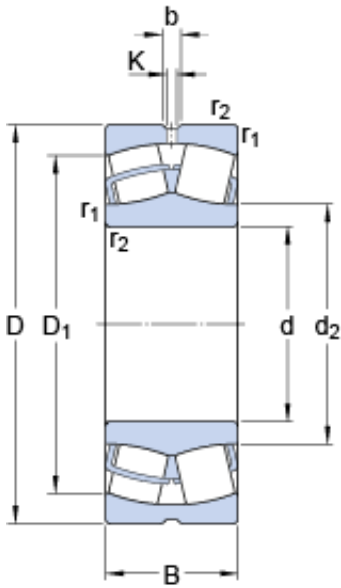
Bearing No. 21313 E

| | |
|----------------|----------------------------|
| b | 6 mm |
| K | 3 mm |
| d | 65 mm |
| D | 140 mm |
| B | 33 mm |
| Noun | Bearing |
| Bore | 2.559 Inch 65 Millimeter |
| Width | 1.299 Inch 33 Millimeter |
| UNSPSC | 31171510 |
| series: | 213 |
| Category | Spherical Roller Bearing |
| Size (mm) | 140x65x33 |
| Enclosure | Open |
| Inventory | 0.0 |
| bore type: | Straight |
| Width (mm) | 33 |
| cage type: | Inner Ring Guided |
| maximum rpm: | 6000 RPM |
| Weight / LBS | 5.671 |
| Bore Profile | Straight |
| Mass bearing | 2.55 kg |
| D1 | 124 mm |
| Cage Material | Steel |
| closure type: | Open |
| d2 | 94.7 mm |
| Product Group | B04311 |
| Inch - Metric | Metric |
| fillet radius: | 2 mm |
| | |



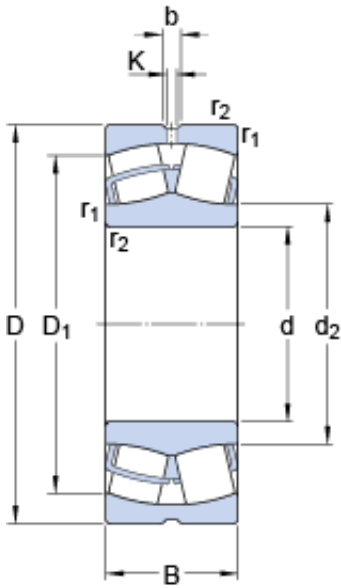
Bearing No. 21312E

| | |
|-------------------------------|------------|
| C | 31 mm |
| B | 31 mm |
| K | 3 mm |
| b | 6 mm |
| d | 60 mm |
| D | 130 mm |
| d2 | 87,8 mm |
| D1 | 115 mm |
| Weight | 2,1 Kg |
| ra max. | 2 mm |
| r1 min. | 2,1 mm |
| r2 min. | 2,1 mm |
| da min. | 72 mm |
| Da max. | 118 mm |
| Size (mm) | 60x130x31 |
| Width (mm) | 31 |
| Limiting speed | 6300 r/min |
| Bearing number | 21312E |
| Reference speed | 4800 r/min |
| Bore Diameter (mm) | 60 |
| Outer Diameter (mm) | 130 |
| Calculation factor (e) | 0,22 |
| Fatigue load limit (Pu) | 26,5 |
| Calculation factor (Y0) | 2,8 |
| Calculation factor (Y1) | 3 |
| Basic dynamic load rating (C) | 212 kN |
| Basic static load rating (C0) | 240 kN |



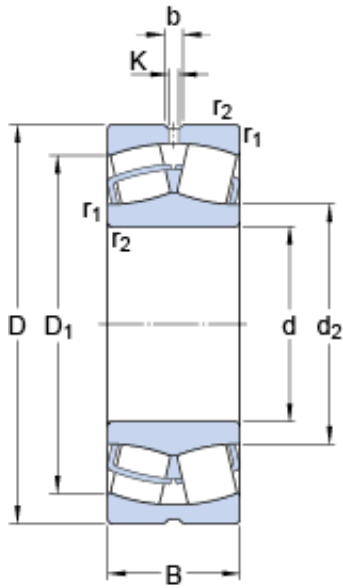
Bearing No. 21311 E

| | |
|----------------|----------------------------|
| b | 6 mm |
| K | 3 mm |
| d | 55 mm |
| D | 120 mm |
| B | 29 mm |
| Noun | Bearing |
| Bore | 2.165 Inch 55 Millimeter |
| Width | 1.142 Inch 29 Millimeter |
| UNSPSC | 31171510 |
| series: | 213 |
| Category | Spherical Roller Bearing |
| Size (mm) | 120x55x29 |
| Enclosure | Open |
| Inventory | 8.0 |
| bore type: | Straight |
| Width (mm) | 29 |
| cage type: | Inner Ring Guided |
| maximum rpm: | 7500 RPM |
| Weight / LBS | 3.761 |
| Bore Profile | Straight |
| Mass bearing | 1.7 kg |
| D1 | 96.2 mm |
| Cage Material | Steel |
| closure type: | Open |
| d2 | 72.7 mm |
| Product Group | B04311 |
| Inch - Metric | Metric |
| fillet radius: | 2 mm |
| | |



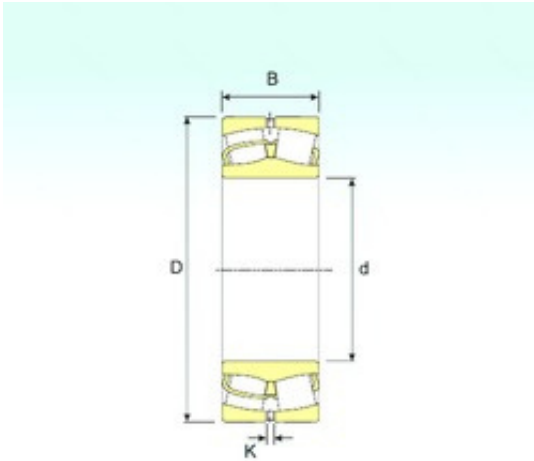
Bearing No. 21310 E

| | |
|----------------|-------------------------------|
| b | 6 mm |
| K | 3 mm |
| d | 50 mm |
| D | 110 mm |
| B | 27 mm |
| Noun | Bearing |
| Bore | 1.969 Inch 50 Millimeter |
| Width | 1.063 Inch 27 Millimeter |
| UNSPSC | 31171510 |
| series: | 213 |
| Category | Spherical Roller Bearing |
| Size (mm) | 110x50x27 |
| Enclosure | Open |
| Inventory | 1.0 |
| bore type: | Straight |
| Width (mm) | 27 |
| cage type: | Inner Ring Guided |
| maximum rpm: | 7500 RPM |
| Weight / LBS | 2.899 |
| Bore Profile | Straight |
| Mass bearing | 1.35 kg |
| D1 | 96.8 mm |
| Cage Material | Steel |
| closure type: | Open |
| d2 | 72.7 mm |
| Product Group | B04311 |
| Inch - Metric | Metric |
| fillet radius: | 2 mm |
| | |



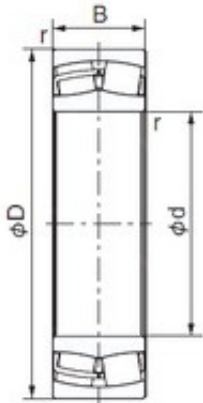
Bearing No. 21309 E

| | |
|----------------|-------------------------------|
| b | 6 mm |
| K | 3 mm |
| d | 45 mm |
| D | 100 mm |
| B | 25 mm |
| Noun | Bearing |
| Bore | 1.772 Inch 45 Millimeter |
| Width | 0.984 Inch 25 Millimeter |
| UNSPSC | 31171510 |
| series: | 213 |
| Category | Spherical Roller Bearing |
| Size (mm) | 100x45x25 |
| Enclosure | Open |
| Inventory | 1.0 |
| bore type: | Straight |
| Width (mm) | 25 |
| cage type: | Inner Ring Guided |
| maximum rpm: | 8500 RPM |
| Weight / LBS | 2.22 |
| Bore Profile | Straight |
| Mass bearing | 0.99 kg |
| D1 | 88 mm |
| Cage Material | Steel |
| closure type: | Open |
| d2 | 65.3 mm |
| Product Group | B04311 |
| Inch - Metric | Metric |
| fillet radius: | 1.5 mm |
| | |



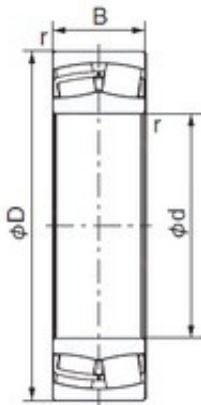
Bearing No. 21308

| | |
|-------------------------------|--------------|
| D | 90 mm |
| d | 40 mm |
| B | 23 mm |
| C | 23 mm |
| K | 3 mm |
| Weight | 0,75 Kg |
| Size (mm) | 40x90x23 |
| Width (mm) | 23 |
| Bearing number | 21308 |
| Bore Diameter (mm) | 40 |
| Outer Diameter (mm) | 90 |
| (Grease) Lubrication Speed | 7267,5 r/min |
| Basic dynamic load rating (C) | 102 kN |
| Basic static load rating (C0) | 106 kN |



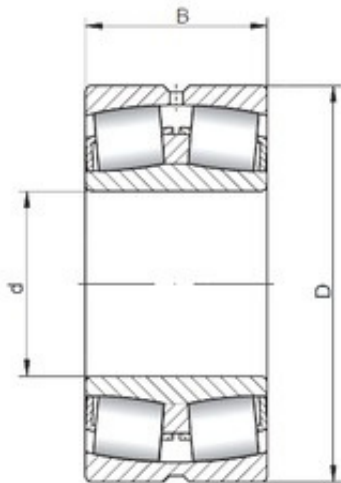
Bearing No. 21307E

| | |
|-------------------------------|------------|
| D | 80 mm |
| d | 35 mm |
| B | 21 mm |
| C | 21 mm |
| r min. | 1,5 mm |
| Weight | 0,57 Kg |
| Category | Bearings |
| Size (mm) | 35x80x21 |
| Inventory | 0.0 |
| Width (mm) | 21 |
| Product Group | B04311 |
| Bearing number | 21307E |
| Weight / Kilogram | 0 |
| Manufacturer Name | NACHI |
| Bore Diameter (mm) | 35 |
| Outer Diameter (mm) | 80 |
| Minimum Buy Quantity | N/A |
| Calculation factor (e) | 0,27 |
| (Oil) Lubrication Speed | 8500 r/min |
| Calculation factor (Y0) | 2,43 |
| Calculation factor (Y1) | 2,49 |
| (Grease) Lubrication Speed | 7000 r/min |
| Basic dynamic load rating (C) | 96 kN |
| Basic static load rating (C0) | 76 kN |



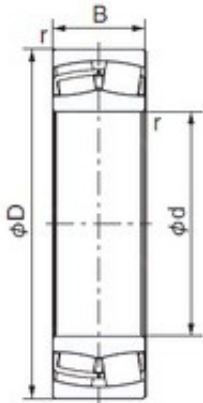
Bearing No. 21306E

| | |
|-------------------------------|------------|
| D | 72 mm |
| d | 30 mm |
| B | 19 mm |
| C | 19 mm |
| r min. | 1,1 mm |
| Weight | 0,43 Kg |
| Category | Bearings |
| Size (mm) | 30x72x19 |
| Inventory | 0.0 |
| Width (mm) | 19 |
| Product Group | B04311 |
| Bearing number | 21306E |
| Weight / Kilogram | 0 |
| Manufacturer Name | NACHI |
| Bore Diameter (mm) | 30 |
| Outer Diameter (mm) | 72 |
| Minimum Buy Quantity | N/A |
| Calculation factor (e) | 0,27 |
| (Oil) Lubrication Speed | 9500 r/min |
| Calculation factor (Y0) | 2,43 |
| Calculation factor (Y1) | 2,49 |
| (Grease) Lubrication Speed | 8000 r/min |
| Basic dynamic load rating (C) | 83 kN |
| Basic static load rating (C0) | 62,5 kN |



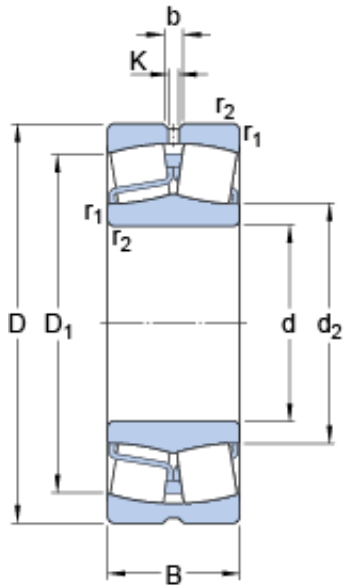
Bearing No. 21304

| | |
|---------------------|----------|
| D | 52 mm |
| d | 20 mm |
| B | 15 mm |
| C | 15 mm |
| Size (mm) | 20x52x15 |
| Width (mm) | 15 |
| Bearing number | 21304 |
| Bore Diameter (mm) | 20 |
| Outer Diameter (mm) | 52 |



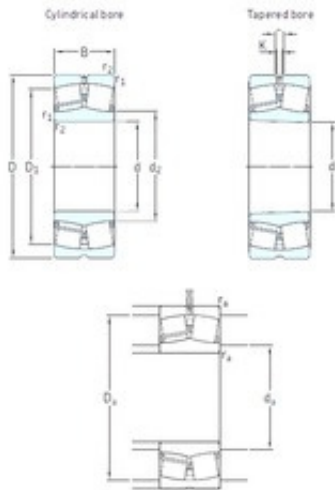
Bearing No. 21305E

| | |
|-------------------------------|-------------|
| C | 17 mm |
| d | 25 mm |
| D | 62 mm |
| B | 17 mm |
| r min. | 1,1 mm |
| Weight | 0,29 Kg |
| Size (mm) | 25x62x17 |
| Width (mm) | 17 |
| Bearing number | 21305E |
| Bore Diameter (mm) | 25 |
| Outer Diameter (mm) | 62 |
| Calculation factor (e) | 0,28 |
| (Oil) Lubrication Speed | 11500 r/min |
| Calculation factor (Y0) | 2,34 |
| Calculation factor (Y1) | 2,39 |
| (Grease) Lubrication Speed | 9000 r/min |
| Basic dynamic load rating (C) | 64 kN |
| Basic static load rating (C0) | 47,5 kN |



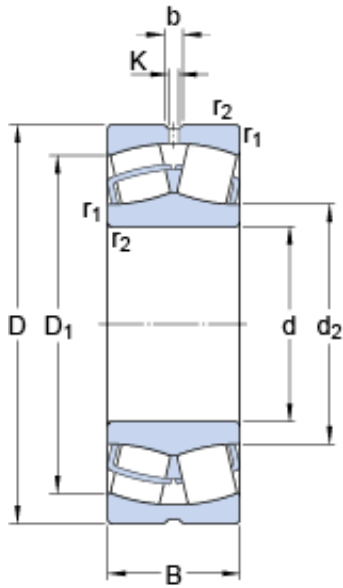
Bearing No. 22214 E

| | |
|----------------|----------------------------|
| b | 6 mm |
| K | 3 mm |
| d | 70 mm |
| D | 125 mm |
| B | 31 mm |
| Bore | 2.756 Inch 70 Millimeter |
| Noun | Bearing |
| Width | 1.22 Inch 31 Millimeter |
| UNSPSC | 31171510 |
| series: | 222 |
| Category | Spherical Roller Bearing |
| Size (mm) | 125x70x31 |
| Enclosure | Open |
| Inventory | 0.0 |
| Width (mm) | 31 |
| bore type: | Straight |
| maximum rpm: | 6700 RPM |
| Weight / LBS | 3.637 |
| Bore Profile | Straight |
| Mass bearing | 1.55 kg |
| Cage Material | Steel |
| closure type: | Open |
| d2 | 83 mm |
| D1 | 111 mm |
| Inch - Metric | Metric |
| Product Group | B04311 |
| Limiting speed | 6700 r/min |
| fillet radius: | 1.5 mm |
| cage material: | Steel |



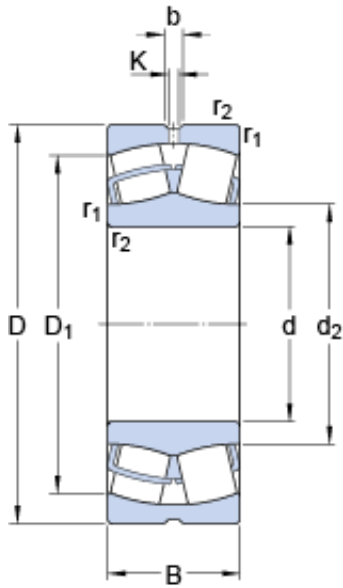
Bearing No. 22213E

| | |
|-------------------------------|------------|
| C | 31 mm |
| B | 31 mm |
| K | 3 mm |
| b | 6 mm |
| d | 65 mm |
| D | 120 mm |
| d2 | 80,1 mm |
| D1 | 106 mm |
| Weight | 1,55 Kg |
| ra max. | 1,5 mm |
| r1 min. | 1,5 mm |
| r2 min. | 1,5 mm |
| da min. | 74 mm |
| Da max. | 111 mm |
| Size (mm) | 65x120x31 |
| Width (mm) | 31 |
| Limiting speed | 7000 r/min |
| Bearing number | 22213E |
| Reference speed | 5000 r/min |
| Bore Diameter (mm) | 65 |
| Outer Diameter (mm) | 120 |
| Calculation factor (e) | 0,24 |
| Fatigue load limit (Pu) | 24 |
| Calculation factor (Y0) | 2,8 |
| Calculation factor (Y1) | 2,8 |
| Basic dynamic load rating (C) | 193 kN |
| Basic static load rating (C0) | 216 kN |



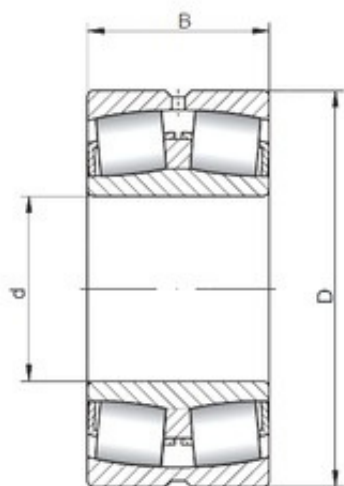
Bearing No. 22212 E

| | |
|----------------|----------------------------|
| b | 6 mm |
| K | 3 mm |
| d | 60 mm |
| D | 110 mm |
| B | 28 mm |
| Noun | Bearing |
| Bore | 2.362 Inch 60 Millimeter |
| Width | 1.102 Inch 28 Millimeter |
| UNSPSC | 31171510 |
| series: | 222 |
| Category | Spherical Roller Bearing |
| Size (mm) | 110x60x28 |
| Enclosure | Open |
| Inventory | 0.0 |
| bore type: | Straight |
| Width (mm) | 28 |
| cage type: | Inner Ring Guided |
| maximum rpm: | 7500 RPM |
| Weight / LBS | 2.586 |
| Bore Profile | Straight |
| Mass bearing | 1.15 kg |
| D1 | 96.5 mm |
| Cage Material | Steel |
| closure type: | Open |
| d2 | 72.7 mm |
| Product Group | B04311 |
| Inch - Metric | Metric |
| fillet radius: | 1.5 mm |
| | |



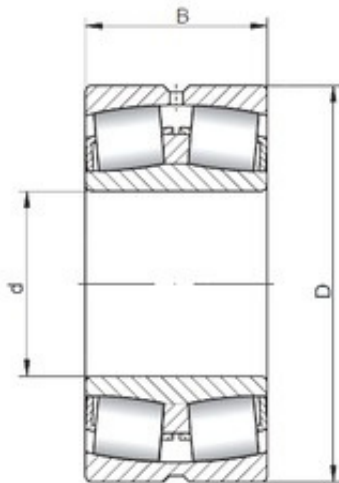
Bearing No. 22211 E

| | |
|----------------|----------------------------|
| b | 6 mm |
| K | 3 mm |
| d | 55 mm |
| D | 100 mm |
| B | 25 mm |
| Noun | Bearing |
| Bore | 2.165 Inch 55 Millimeter |
| Width | 0.984 Inch 25 Millimeter |
| UNSPSC | 31171510 |
| series: | 222 |
| Category | Spherical Roller Bearing |
| Size (mm) | 100x55x25 |
| Enclosure | Open |
| Inventory | 0.0 |
| bore type: | Straight |
| Width (mm) | 25 |
| cage type: | Inner Ring Guided |
| maximum rpm: | 8500 RPM |
| Weight / LBS | 1.875 |
| Bore Profile | Straight |
| Mass bearing | 0.84 kg |
| D1 | 88 mm |
| Cage Material | Steel |
| closure type: | Open |
| d2 | 65.3 mm |
| Product Group | B04311 |
| Inch - Metric | Metric |
| fillet radius: | 1.5 mm |
| | |



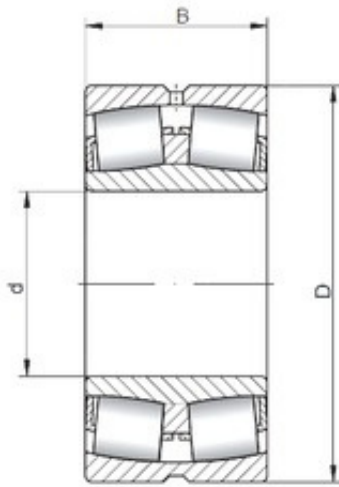
Bearing No. 22210W33

| | |
|---------------------|----------|
| D | 90 mm |
| d | 50 mm |
| B | 23 mm |
| C | 23 mm |
| Size (mm) | 50x90x23 |
| Width (mm) | 23 |
| Bearing number | 22210W33 |
| Bore Diameter (mm) | 50 |
| Outer Diameter (mm) | 90 |



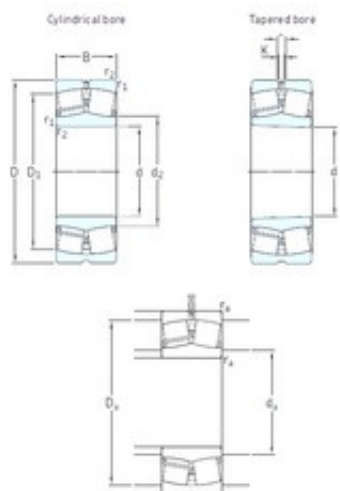
Bearing No. 22209W33

| | |
|---------------------|----------|
| D | 85 mm |
| d | 45 mm |
| B | 23 mm |
| C | 23 mm |
| Size (mm) | 45x85x23 |
| Width (mm) | 23 |
| Bearing number | 22209W33 |
| Bore Diameter (mm) | 45 |
| Outer Diameter (mm) | 85 |



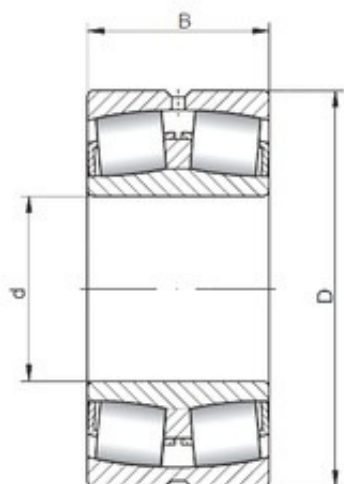
Bearing No. 22207W33

| | |
|---------------------|----------|
| D | 72 mm |
| d | 35 mm |
| B | 23 mm |
| C | 23 mm |
| Size (mm) | 35x72x23 |
| Width (mm) | 23 |
| Bearing number | 22207W33 |
| Bore Diameter (mm) | 35 |
| Outer Diameter (mm) | 72 |



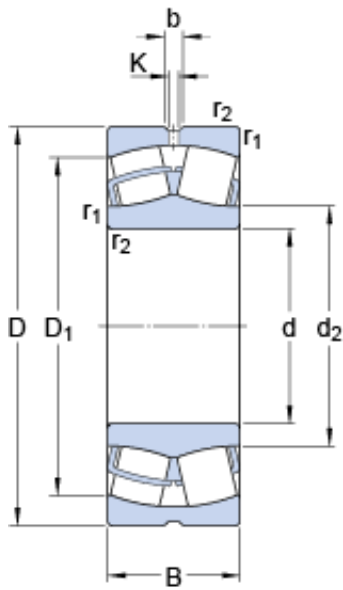
Bearing No. 22208E

| | |
|-------------------------------|-------------|
| C | 23 mm |
| B | 23 mm |
| K | 3 mm |
| b | 6 mm |
| d | 40 mm |
| D | 80 mm |
| d2 | 49,6 mm |
| D1 | 69,4 mm |
| Weight | 0,53 Kg |
| ra max. | 1 mm |
| r1 min. | 1,1 mm |
| r2 min. | 1,1 mm |
| da min. | 47 mm |
| Da max. | 73 mm |
| Size (mm) | 40x80x23 |
| Width (mm) | 23 |
| Limiting speed | 11000 r/min |
| Bearing number | 22208E |
| Reference speed | 8000 r/min |
| Bore Diameter (mm) | 40 |
| Outer Diameter (mm) | 80 |
| Calculation factor (e) | 0,28 |
| Fatigue load limit (Pu) | 9,8 |
| Calculation factor (Y0) | 2,5 |
| Calculation factor (Y1) | 2,4 |
| Basic dynamic load rating (C) | 96,5 kN |
| Basic static load rating (C0) | 90 kN |



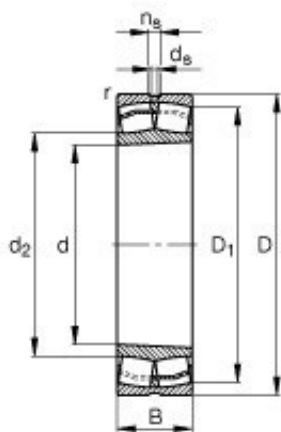
Bearing No. 22206W33

| | |
|---------------------|----------|
| D | 62 mm |
| d | 30 mm |
| B | 20 mm |
| C | 20 mm |
| Size (mm) | 30x62x20 |
| Width (mm) | 20 |
| Bearing number | 22206W33 |
| Bore Diameter (mm) | 30 |
| Outer Diameter (mm) | 62 |



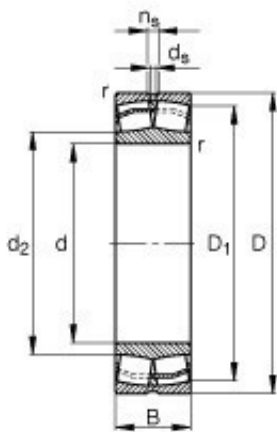
Bearing No. 22205 E

| | |
|----------------|----------------------------|
| b | 3.7 mm |
| K | 2 mm |
| d | 25 mm |
| D | 52 mm |
| B | 18 mm |
| Noun | Bearing |
| Bore | 0.984 Inch 25 Millimeter |
| Width | 0.709 Inch 18 Millimeter |
| UNSPSC | 31171510 |
| series: | 222 |
| Category | Spherical Roller Bearing |
| Size (mm) | 52x25x18 |
| Enclosure | Open |
| Inventory | 0.0 |
| bore type: | Straight |
| Width (mm) | 18 |
| cage type: | Inner Ring Guided |
| maximum rpm: | 17000 RPM |
| Weight / LBS | 0.408 |
| Bore Profile | Straight |
| Mass bearing | 0.26 kg |
| D1 | 44.2 mm |
| Cage Material | Steel |
| closure type: | Open |
| d2 | 31.3 mm |
| Product Group | B04311 |
| Inch - Metric | Metric |
| fillet radius: | 1 mm |
| | |



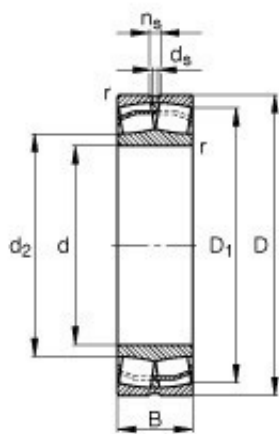
Bearing No. 22317-E1-K-T41A

| | |
|---------------------|---|
| m | 7,1 kg / Weight |
| d | 85 mm |
| D | 180 mm |
| B | 60 mm |
| e | 0,33 |
| Size (mm) | 85x180x60 |
| Width (mm) | 60 |
| nB | 3300 1/min |
| nG | 4100 1/min / Limiting speed |
| Y0 | 2 |
| Y2 | 3,04 |
| Y1 | 2,04 |
| Cr | 540000 N / Dynamic load rating (radial) |
| ds | 4,8 mm |
| ns | 9,5 mm |
| d2 | 104,4 mm |
| D1 | 154,2 mm |
| C0r | 560000 N / Static load rating (radial) |
| Bearing number | 22317-E1-K-T41A |
| rmin | 3 mm |
| ra max | 2,5 mm |
| da min | 99 mm |
| Da max | 166 mm |
| Bore Diameter (mm) | 85 |
| Outer Diameter (mm) | 180 |



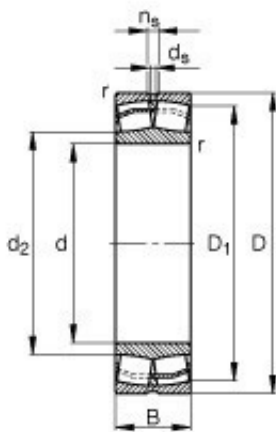
Bearing No. 22316-E1-T41A

| | |
|---------------------|---|
| m | 6,27 kg / Weight |
| d | 80 mm |
| D | 170 mm |
| B | 58 mm |
| e | 0,34 |
| Size (mm) | 80x170x58 |
| Width (mm) | 58 |
| nB | 3450 1/min |
| nG | 4250 1/min / Limiting speed |
| Y0 | 1,94 |
| Y2 | 2,96 |
| Y1 | 1,99 |
| Cr | 495000 N / Dynamic load rating (radial) |
| ds | 4,8 mm |
| ns | 9,5 mm |
| d2 | 98,3 mm |
| D1 | 145,1 mm |
| C0r | 510000 N / Static load rating (radial) |
| Bearing number | 22316-E1-T41A |
| rmin | 2,1 mm |
| ra max | 2,1 mm |
| da min | 92 mm |
| Da max | 158 mm |
| Bore Diameter (mm) | 80 |
| Outer Diameter (mm) | 170 |



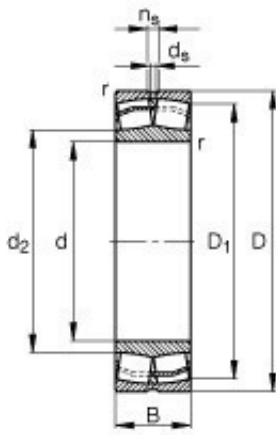
Bearing No. 22315-E1-T41A

| | |
|---------------------|---|
| m | 5,38 kg / Weight |
| d | 75 mm |
| D | 160 mm |
| B | 55 mm |
| e | 0,34 |
| Size (mm) | 75x160x55 |
| Width (mm) | 55 |
| nB | 3650 1/min |
| nG | 4500 1/min / Limiting speed |
| Y0 | 1,94 |
| Y2 | 2,96 |
| Y1 | 1,99 |
| Cr | 445000 N / Dynamic load rating (radial) |
| ds | 4,8 mm |
| ns | 9,5 mm |
| d2 | 92,4 mm |
| D1 | 136,3 mm |
| C0r | 450000 N / Static load rating (radial) |
| Bearing number | 22315-E1-T41A |
| rmin | 2,1 mm |
| ra max | 2,1 mm |
| da min | 87 mm |
| Da max | 148 mm |
| Bore Diameter (mm) | 75 |
| Outer Diameter (mm) | 160 |



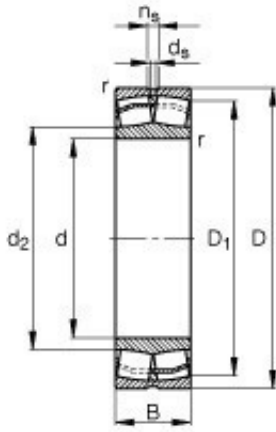
Bearing No. 22314-E1-T41A

| | |
|---------------------|---|
| m | 4,21 kg / Weight |
| d | 70 mm |
| D | 150 mm |
| B | 51 mm |
| e | 0,34 |
| Size (mm) | 70x150x51 |
| Width (mm) | 51 |
| nB | 3850 1/min |
| nG | 4800 1/min / Limiting speed |
| Y0 | 1,96 |
| Y2 | 2,98 |
| Y1 | 2 |
| Cr | 390000 N / Dynamic load rating (radial) |
| ds | 4,8 mm |
| ns | 9,5 mm |
| d2 | 86,7 mm |
| D1 | 128 mm |
| C0r | 390000 N / Static load rating (radial) |
| Bearing number | 22314-E1-T41A |
| rmin | 2,1 mm |
| ra max | 2,1 mm |
| da min | 82 mm |
| Da max | 138 mm |
| Bore Diameter (mm) | 70 |
| Outer Diameter (mm) | 150 |



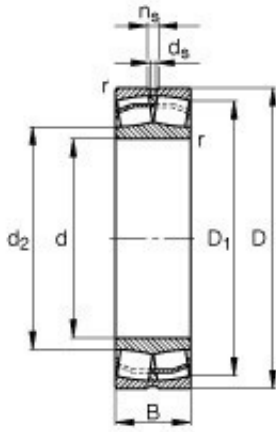
Bearing No. 22313-E1-T41A

| | |
|---------------------|---|
| m | 3,57 kg / Weight |
| d | 65 mm |
| D | 140 mm |
| B | 48 mm |
| e | 0,34 |
| Size (mm) | 65x140x48 |
| Width (mm) | 48 |
| nB | 3950 1/min |
| nG | 5000 1/min / Limiting speed |
| Y0 | 1,96 |
| Y2 | 2,98 |
| Y1 | 2 |
| Cr | 350000 N / Dynamic load rating (radial) |
| ds | 4,8 mm |
| ns | 9,5 mm |
| d2 | 83,2 mm |
| D1 | 119,3 mm |
| C0r | 365000 N / Static load rating (radial) |
| Bearing number | 22313-E1-T41A |
| rmin | 2,1 mm |
| ra max | 2,1 mm |
| da min | 77 mm |
| Da max | 128 mm |
| Bore Diameter (mm) | 65 |
| Outer Diameter (mm) | 140 |



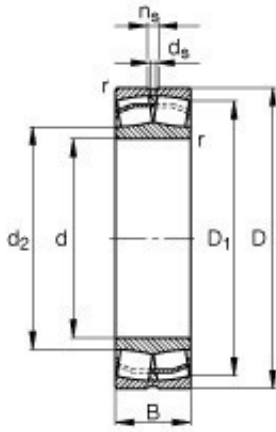
Bearing No. 22312-E1-T41A

| | |
|---------------------|---|
| m | 2,97 kg / Weight |
| d | 60 mm |
| D | 130 mm |
| B | 46 mm |
| e | 0,35 |
| Size (mm) | 60x130x46 |
| Width (mm) | 46 |
| nB | 4300 1/min |
| nG | 5400 1/min / Limiting speed |
| Y0 | 1,87 |
| Y2 | 2,85 |
| Y1 | 1,91 |
| Cr | 310000 N / Dynamic load rating (radial) |
| ds | 3,2 mm |
| ns | 6,5 mm |
| d2 | 74,8 mm |
| D1 | 110,1 mm |
| C0r | 310000 N / Static load rating (radial) |
| Bearing number | 22312-E1-T41A |
| rmin | 2,1 mm |
| ra max | 2,1 mm |
| da min | 72 mm |
| Da max | 118 mm |
| Bore Diameter (mm) | 60 |
| Outer Diameter (mm) | 130 |



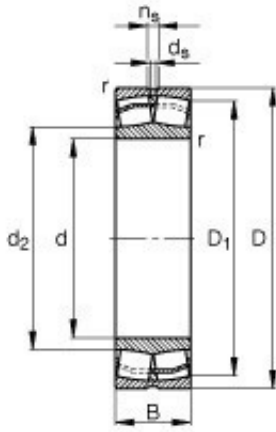
Bearing No. 22311-E1-T41A

| | |
|---------------------|---|
| m | 2,27 kg / Weight |
| d | 55 mm |
| D | 120 mm |
| B | 43 mm |
| e | 0,36 |
| Size (mm) | 55x120x43 |
| Width (mm) | 43 |
| nB | 4650 1/min |
| nG | 5800 1/min / Limiting speed |
| Y0 | 1,84 |
| Y2 | 2,81 |
| Y1 | 1,89 |
| Cr | 265000 N / Dynamic load rating (radial) |
| ds | 3,2 mm |
| ns | 6,5 mm |
| d2 | 68,9 mm |
| D1 | 101,4 mm |
| C0r | 260000 N / Static load rating (radial) |
| Bearing number | 22311-E1-T41A |
| rmin | 2 mm |
| ra max | 2 mm |
| da min | 66 mm |
| Da max | 109 mm |
| Bore Diameter (mm) | 55 |
| Outer Diameter (mm) | 120 |



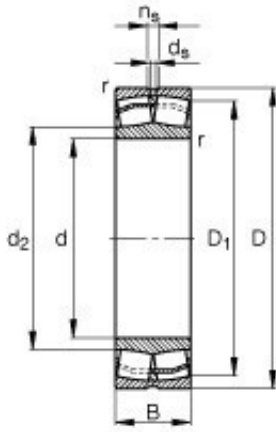
Bearing No. 22310-E1-T41A

| | |
|---------------------|---|
| m | 1,9 kg / Weight |
| d | 50 mm |
| D | 110 mm |
| B | 40 mm |
| e | 0,36 |
| Size (mm) | 50x110x40 |
| Width (mm) | 40 |
| nB | 5000 1/min |
| nG | 6300 1/min / Limiting speed |
| Y0 | 1,82 |
| Y2 | 2,77 |
| Y1 | 1,86 |
| Cr | 229000 N / Dynamic load rating (radial) |
| ds | 3,2 mm |
| ns | 6,5 mm |
| d2 | 63 mm |
| D1 | 92,6 mm |
| C0r | 223000 N / Static load rating (radial) |
| Bearing number | 22310-E1-T41A |
| rmin | 2 mm |
| ra max | 2 mm |
| da min | 61 mm |
| Da max | 99 mm |
| Bore Diameter (mm) | 50 |
| Outer Diameter (mm) | 110 |



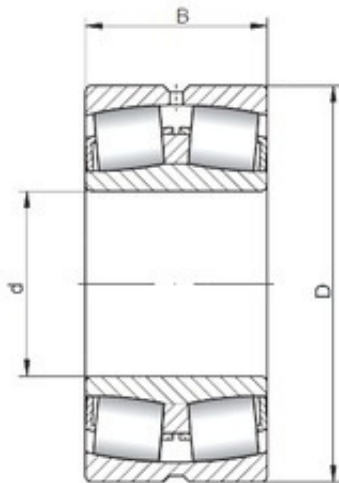
Bearing No. 22309-E1-T41A

| | |
|---------------------|---|
| m | 1,39 kg / Weight |
| d | 45 mm |
| D | 100 mm |
| B | 36 mm |
| e | 0,36 |
| Size (mm) | 45x100x36 |
| Width (mm) | 36 |
| nB | 5300 1/min |
| nG | 6800 1/min / Limiting speed |
| Y0 | 1,86 |
| Y2 | 2,83 |
| Y1 | 1,9 |
| Cr | 187000 N / Dynamic load rating (radial) |
| ds | 3,2 mm |
| ns | 6,5 mm |
| d2 | 58,9 mm |
| D1 | 84,7 mm |
| C0r | 183000 N / Static load rating (radial) |
| Bearing number | 22309-E1-T41A |
| rmin | 1,5 mm |
| ra max | 1,5 mm |
| da min | 54 mm |
| Da max | 91 mm |
| Bore Diameter (mm) | 45 |
| Outer Diameter (mm) | 100 |



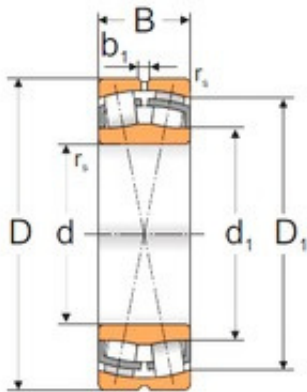
Bearing No. 22308-E1-T41A

| | |
|---------------------|---|
| m | 1,05 kg / Weight |
| d | 40 mm |
| D | 90 mm |
| B | 33 mm |
| e | 0,36 |
| Size (mm) | 40x90x33 |
| Width (mm) | 33 |
| nB | 5800 1/min |
| nG | 7600 1/min / Limiting speed |
| Y0 | 1,82 |
| Y2 | 2,77 |
| Y1 | 1,86 |
| Cr | 156000 N / Dynamic load rating (radial) |
| ds | 3,2 mm |
| ns | 4,8 mm |
| d2 | 52,4 mm |
| D1 | 76 mm |
| C0r | 149000 N / Static load rating (radial) |
| Bearing number | 22308-E1-T41A |
| rmin | 1,5 mm |
| ra max | 1,5 mm |
| da min | 49 mm |
| Da max | 81 mm |
| Bore Diameter (mm) | 40 |
| Outer Diameter (mm) | 90 |



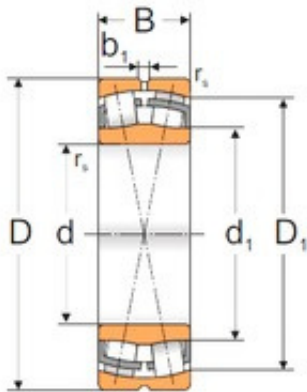
Bearing No. 22317W33

| | |
|---------------------|-----------|
| D | 180 mm |
| d | 85 mm |
| B | 60 mm |
| C | 60 mm |
| Size (mm) | 85x180x60 |
| Width (mm) | 60 |
| Bearing number | 22317W33 |
| Bore Diameter (mm) | 85 |
| Outer Diameter (mm) | 180 |



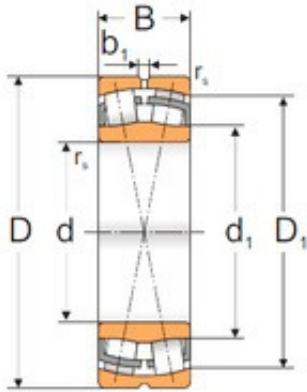
Bearing No. 22316 W33

| | |
|-------------------------------|------------|
| D | 170 mm |
| d | 80 mm |
| B | 58 mm |
| C | 58 mm |
| d1 | 99,9 mm |
| D1 | 141,6 mm |
| b1 | 8 mm |
| Weight | 6,49 Kg |
| r5 min. | 2,1 mm |
| Size (mm) | 80x170x58 |
| Width (mm) | 58 |
| Bearing number | 22316 W33 |
| Bore Diameter (mm) | 80 |
| Outer Diameter (mm) | 170 |
| Calculation factor (e) | 0,36 |
| (Oil) Lubrication Speed | 2800 r/min |
| Calculation factor (Y0) | 1,84 |
| Calculation factor (Y1) | 1,88 |
| (Grease) Lubrication Speed | 2000 r/min |
| Basic dynamic load rating (C) | 408 kN |
| Basic static load rating (C0) | 517 kN |



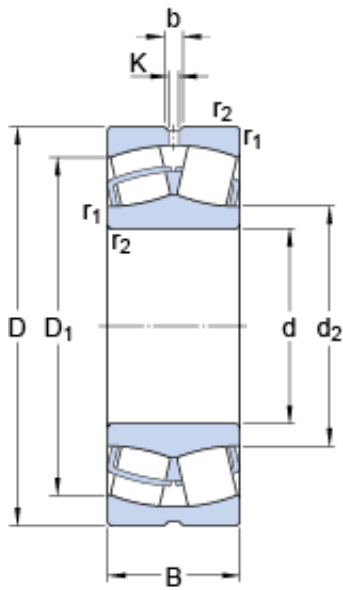
Bearing No. 22315 W33

| | |
|-------------------------------|------------|
| D | 160 mm |
| d | 75 mm |
| B | 55 mm |
| C | 55 mm |
| d1 | 94,2 mm |
| D1 | 132 mm |
| b1 | 8 mm |
| Weight | 5,41 Kg |
| r5 min. | 2,1 mm |
| Size (mm) | 75x160x55 |
| Width (mm) | 55 |
| Bearing number | 22315 W33 |
| Bore Diameter (mm) | 75 |
| Outer Diameter (mm) | 160 |
| Calculation factor (e) | 0,36 |
| (Oil) Lubrication Speed | 3000 r/min |
| Calculation factor (Y0) | 1,81 |
| Calculation factor (Y1) | 1,85 |
| (Grease) Lubrication Speed | 2200 r/min |
| Basic dynamic load rating (C) | 338 kN |
| Basic static load rating (C0) | 424 kN |



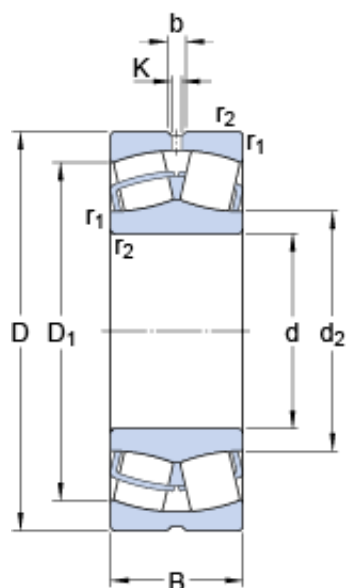
Bearing No. 22314 W33

| | |
|-------------------------------|------------|
| D | 150 mm |
| d | 70 mm |
| B | 51 mm |
| C | 51 mm |
| d1 | 87,3 mm |
| D1 | 125 mm |
| b1 | 8 mm |
| Weight | 4,41 Kg |
| r5 min. | 2,1 mm |
| Size (mm) | 70x150x51 |
| Width (mm) | 51 |
| Bearing number | 22314 W33 |
| Bore Diameter (mm) | 70 |
| Outer Diameter (mm) | 150 |
| Calculation factor (e) | 0,37 |
| (Oil) Lubrication Speed | 3200 r/min |
| Calculation factor (Y0) | 1,78 |
| Calculation factor (Y1) | 1,82 |
| (Grease) Lubrication Speed | 2400 r/min |
| Basic dynamic load rating (C) | 297 kN |
| Basic static load rating (C0) | 358 kN |



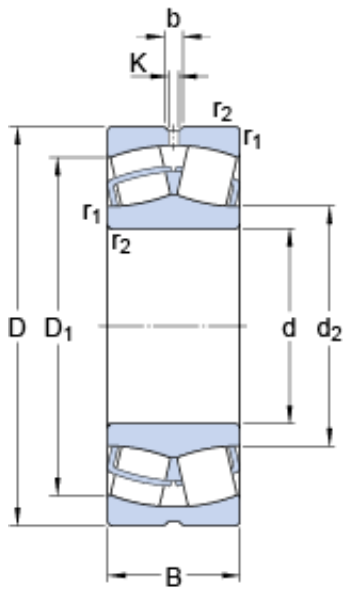
Bearing No. 22312 E

| | |
|----------------|----------------------------|
| b | 8.3 mm |
| K | 4.5 mm |
| d | 60 mm |
| D | 130 mm |
| B | 46 mm |
| Noun | Bearing |
| Bore | 2.362 Inch 60 Millimeter |
| Width | 1.811 Inch 46 Millimeter |
| UNSPSC | 31171510 |
| series: | 223 |
| Category | Spherical Roller Bearing |
| Size (mm) | 130x60x46 |
| Enclosure | Open |
| Inventory | 6.0 |
| bore type: | Straight |
| Width (mm) | 46 |
| cage type: | Inner Ring Guided |
| maximum rpm: | 5300 RPM |
| Weight / LBS | 6.541 |
| Bore Profile | Straight |
| Mass bearing | 3.1 kg |
| D1 | 110 mm |
| Cage Material | Steel |
| closure type: | Open |
| d2 | 77.9 mm |
| Product Group | B04311 |
| Inch - Metric | Metric |
| fillet radius: | 2 mm |
| | |



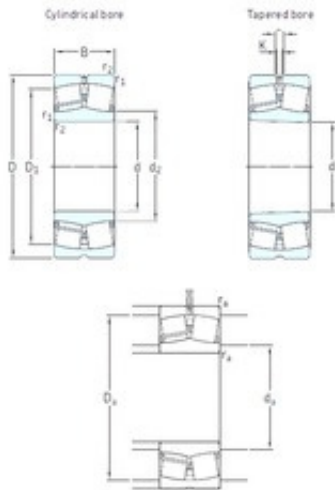
Bearing No. 22313 E

| | |
|----------------|----------------------------|
| b | 8.3 mm |
| K | 4.5 mm |
| d | 65 mm |
| D | 140 mm |
| B | 48 mm |
| Noun | Bearing |
| Bore | 2.559 Inch 65 Millimeter |
| Width | 1.89 Inch 48 Millimeter |
| UNSPSC | 31171510 |
| series: | 223 |
| Category | Spherical Roller Bearing |
| Size (mm) | 140x65x48 |
| Enclosure | Open |
| Inventory | 0.0 |
| bore type: | Straight |
| Width (mm) | 48 |
| cage type: | Inner Ring Guided |
| maximum rpm: | 5000 RPM |
| Weight / LBS | 7.839 |
| Bore Profile | Straight |
| Mass bearing | 3.75 kg |
| D1 | 118 mm |
| Cage Material | Steel |
| closure type: | Open |
| d2 | 81.6 mm |
| Product Group | B04311 |
| Inch - Metric | Metric |
| fillet radius: | 2 mm |
| cage material: | Steel |



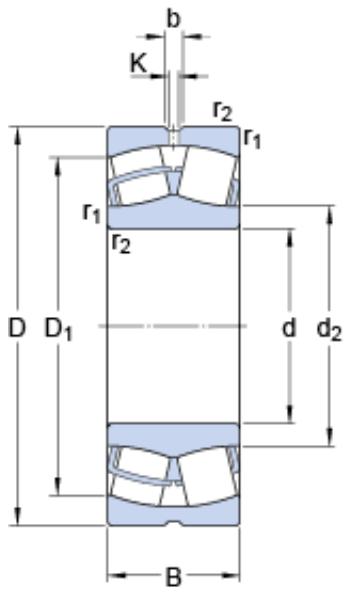
Bearing No. 22311 E

| | |
|----------------|----------------------------|
| b | 5.5 mm |
| K | 3 mm |
| d | 55 mm |
| D | 120 mm |
| B | 43 mm |
| Noun | Bearing |
| Bore | 2.165 Inch 55 Millimeter |
| Width | 1.693 Inch 43 Millimeter |
| UNSPSC | 31171510 |
| series: | 223 |
| Category | Spherical Roller Bearing |
| Size (mm) | 120x55x43 |
| Enclosure | Open |
| Inventory | 56.0 |
| bore type: | Straight |
| Width (mm) | 43 |
| cage type: | Inner Ring Guided |
| maximum rpm: | 5600 RPM |
| Weight / LBS | 5.242 |
| Bore Profile | Straight |
| Mass bearing | 2.45 kg |
| D1 | 102 mm |
| Cage Material | Steel |
| closure type: | Open |
| d2 | 70.1 mm |
| Product Group | B04311 |
| Inch - Metric | Metric |
| fillet radius: | 2 mm |
| | |



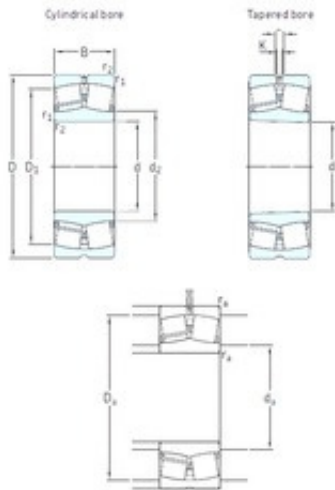
Bearing No. 22310E

| | |
|-------------------------------|------------|
| C | 40 mm |
| B | 40 mm |
| K | 3 mm |
| b | 6 mm |
| d | 50 mm |
| D | 110 mm |
| d2 | 63,9 mm |
| D1 | 91,9 mm |
| Weight | 1,9 Kg |
| ra max. | 2 mm |
| r1 min. | 2 mm |
| r2 min. | 2 mm |
| da min. | 61 mm |
| Da max. | 99 mm |
| Size (mm) | 50x110x40 |
| Width (mm) | 40 |
| Limiting speed | 6300 r/min |
| Bearing number | 22310E |
| Reference speed | 4800 r/min |
| Bore Diameter (mm) | 50 |
| Outer Diameter (mm) | 110 |
| Calculation factor (e) | 0,37 |
| Fatigue load limit (Pu) | 24 |
| Calculation factor (Y0) | 1,8 |
| Calculation factor (Y1) | 1,8 |
| Basic dynamic load rating (C) | 220 kN |
| Basic static load rating (C0) | 224 kN |



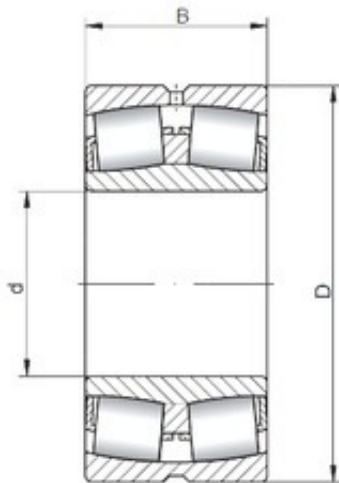
Bearing No. 22308 E

| | |
|----------------|----------------------------|
| b | 6 mm |
| K | 3 mm |
| d | 40 mm |
| D | 90 mm |
| B | 33 mm |
| Noun | Bearing |
| Bore | 1.575 Inch 40 Millimeter |
| Width | 1.299 Inch 33 Millimeter |
| UNSPSC | 31171510 |
| series: | 223 |
| Category | Spherical Roller Bearing |
| Size (mm) | 90x40x33 |
| Enclosure | Open |
| Inventory | 0.0 |
| bore type: | Straight |
| Width (mm) | 33 |
| cage type: | Inner Ring Guided |
| maximum rpm: | 8000 RPM |
| Weight / LBS | 2.266 |
| Bore Profile | Straight |
| Mass bearing | 1.05 kg |
| D1 | 74.3 mm |
| Cage Material | Steel |
| closure type: | Open |
| d2 | 49.9 mm |
| Product Group | B04311 |
| Inch - Metric | Metric |
| fillet radius: | 1.5 mm |
| | |



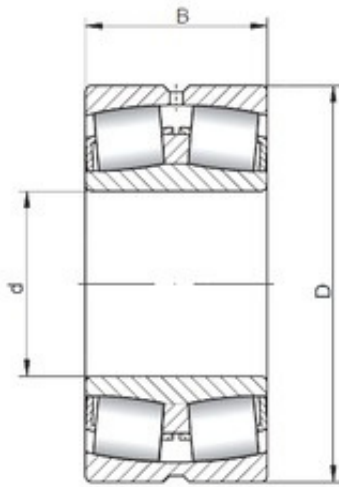
Bearing No. 22309E

| | |
|-------------------------------|------------|
| C | 36 mm |
| B | 36 mm |
| K | 3 mm |
| b | 6 mm |
| d | 45 mm |
| D | 100 mm |
| d2 | 57,6 mm |
| D1 | 83,4 mm |
| Weight | 1,4 Kg |
| ra max. | 1,5 mm |
| r1 min. | 1,5 mm |
| r2 min. | 1,5 mm |
| da min. | 54 mm |
| Da max. | 91 mm |
| Size (mm) | 45x100x36 |
| Width (mm) | 36 |
| Limiting speed | 7000 r/min |
| Bearing number | 22309E |
| Reference speed | 5300 r/min |
| Bore Diameter (mm) | 45 |
| Outer Diameter (mm) | 100 |
| Calculation factor (e) | 0,37 |
| Fatigue load limit (Pu) | 19,6 |
| Calculation factor (Y0) | 1,8 |
| Calculation factor (Y1) | 1,8 |
| Basic dynamic load rating (C) | 183 kN |
| Basic static load rating (C0) | 183 kN |



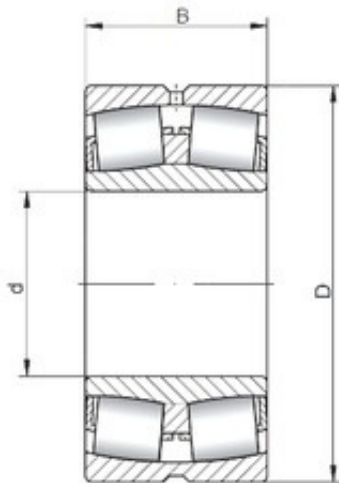
Bearing No. 23038W33

| | |
|---------------------|------------|
| D | 290 mm |
| d | 190 mm |
| B | 75 mm |
| C | 75 mm |
| Size (mm) | 190x290x75 |
| Width (mm) | 75 |
| Bearing number | 23038W33 |
| Bore Diameter (mm) | 190 |
| Outer Diameter (mm) | 290 |



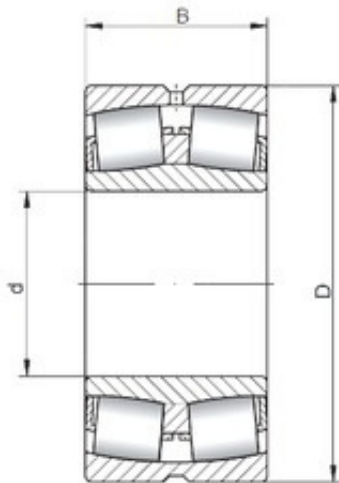
Bearing No. 23036W33

| | |
|---------------------|------------|
| D | 280 mm |
| d | 180 mm |
| B | 74 mm |
| C | 74 mm |
| Size (mm) | 180x280x74 |
| Width (mm) | 74 |
| Bearing number | 23036W33 |
| Bore Diameter (mm) | 180 |
| Outer Diameter (mm) | 280 |



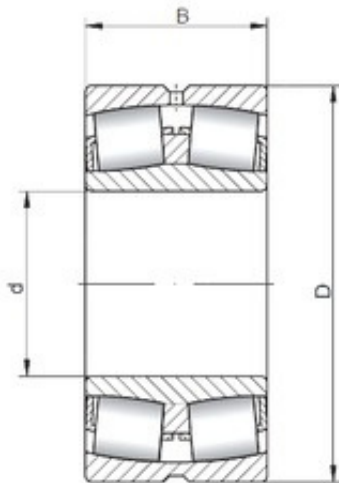
Bearing No. 23034W33

| | |
|---------------------|------------|
| D | 260 mm |
| d | 170 mm |
| B | 67 mm |
| C | 67 mm |
| Size (mm) | 170x260x67 |
| Width (mm) | 67 |
| Bearing number | 23034W33 |
| Bore Diameter (mm) | 170 |
| Outer Diameter (mm) | 260 |



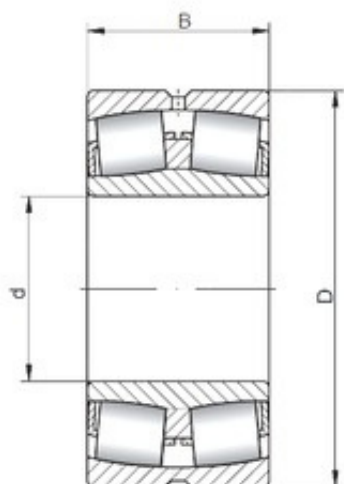
Bearing No. 23032W33

| | |
|---------------------|------------|
| D | 240 mm |
| d | 160 mm |
| B | 60 mm |
| C | 60 mm |
| Size (mm) | 160x240x60 |
| Width (mm) | 60 |
| Bearing number | 23032W33 |
| Bore Diameter (mm) | 160 |
| Outer Diameter (mm) | 240 |



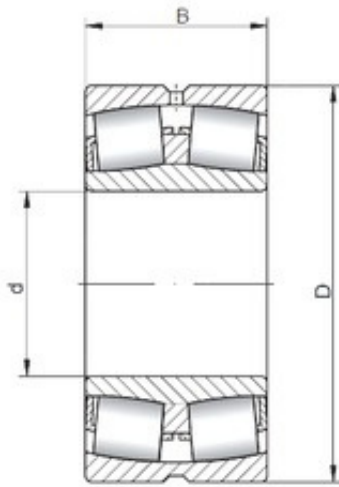
Bearing No. 23030W33

| | |
|---------------------|------------|
| D | 225 mm |
| d | 150 mm |
| B | 56 mm |
| C | 56 mm |
| Size (mm) | 150x225x56 |
| Width (mm) | 56 |
| Bearing number | 23030W33 |
| Bore Diameter (mm) | 150 |
| Outer Diameter (mm) | 225 |



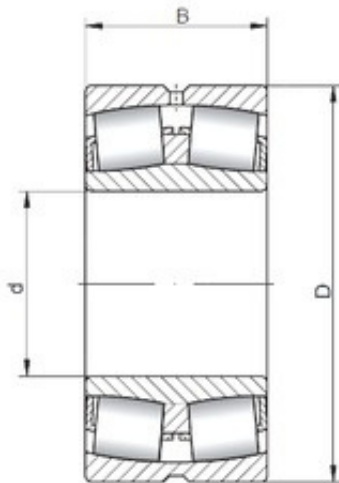
Bearing No. 23028W33

| | |
|---------------------|------------|
| D | 210 mm |
| d | 140 mm |
| B | 53 mm |
| C | 53 mm |
| Size (mm) | 140x210x53 |
| Width (mm) | 53 |
| Bearing number | 23028W33 |
| Bore Diameter (mm) | 140 |
| Outer Diameter (mm) | 210 |



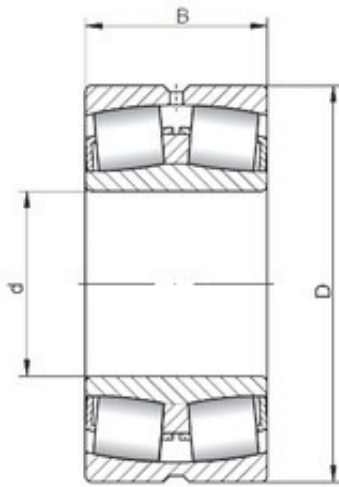
Bearing No. 23026W33

| | |
|---------------------|------------|
| D | 200 mm |
| d | 130 mm |
| B | 52 mm |
| C | 52 mm |
| Size (mm) | 130x200x52 |
| Width (mm) | 52 |
| Bearing number | 23026W33 |
| Bore Diameter (mm) | 130 |
| Outer Diameter (mm) | 200 |



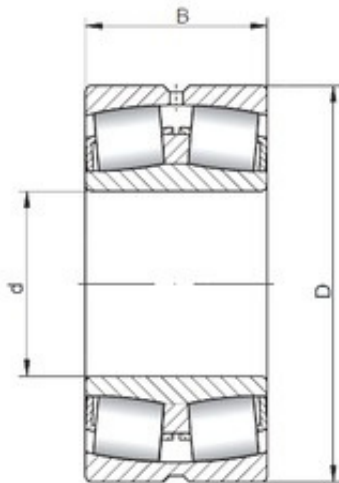
Bearing No. 23024W33

| | |
|---------------------|------------|
| D | 180 mm |
| d | 120 mm |
| B | 46 mm |
| C | 46 mm |
| Size (mm) | 120x180x46 |
| Width (mm) | 46 |
| Bearing number | 23024W33 |
| Bore Diameter (mm) | 120 |
| Outer Diameter (mm) | 180 |



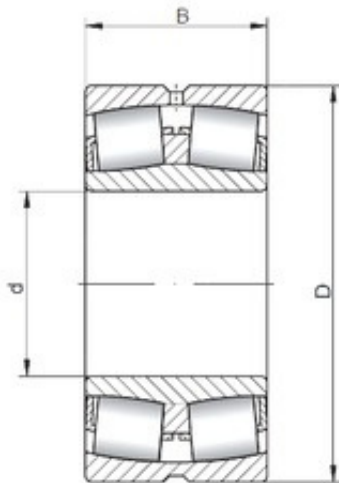
Bearing No. 23022W33

| | |
|---------------------|------------|
| D | 170 mm |
| d | 110 mm |
| B | 45 mm |
| C | 45 mm |
| Size (mm) | 110x170x45 |
| Width (mm) | 45 |
| Bearing number | 23022W33 |
| Bore Diameter (mm) | 110 |
| Outer Diameter (mm) | 170 |



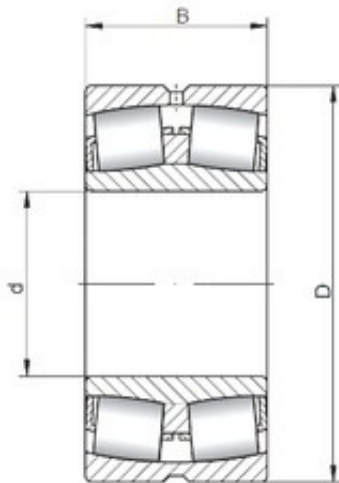
Bearing No. 23134W33

| | |
|---------------------|------------|
| D | 280 mm |
| d | 170 mm |
| B | 88 mm |
| C | 88 mm |
| Size (mm) | 170x280x88 |
| Width (mm) | 88 |
| Bearing number | 23134W33 |
| Bore Diameter (mm) | 170 |
| Outer Diameter (mm) | 280 |



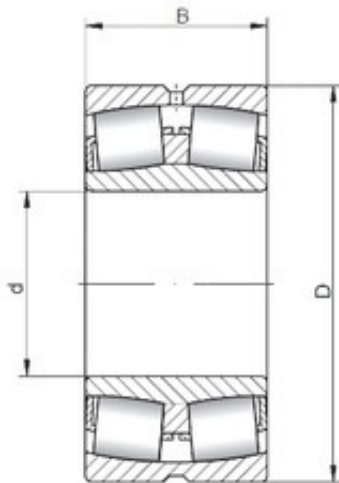
Bearing No. 23132W33

| | |
|---------------------|------------|
| D | 270 mm |
| d | 160 mm |
| B | 86 mm |
| C | 86 mm |
| Size (mm) | 160x270x86 |
| Width (mm) | 86 |
| Bearing number | 23132W33 |
| Bore Diameter (mm) | 160 |
| Outer Diameter (mm) | 270 |



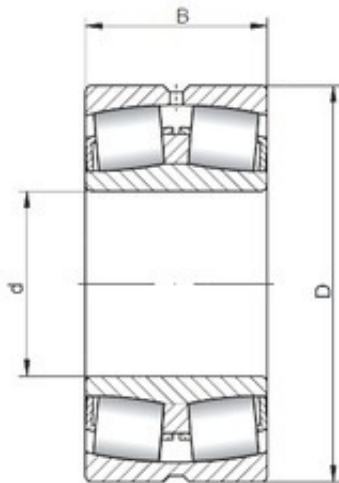
Bearing No. 23128W33

| | |
|---------------------|------------|
| D | 225 mm |
| d | 140 mm |
| B | 68 mm |
| C | 68 mm |
| Size (mm) | 140x225x68 |
| Width (mm) | 68 |
| Bearing number | 23128W33 |
| Bore Diameter (mm) | 140 |
| Outer Diameter (mm) | 225 |



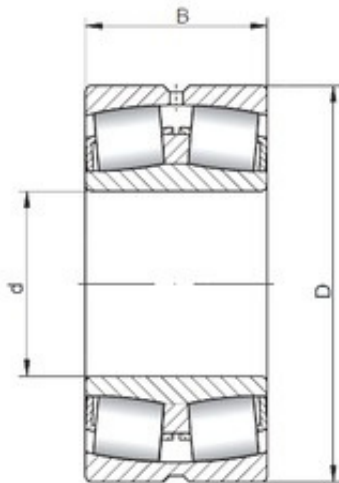
Bearing No. 23130W33

| | |
|---------------------|------------|
| D | 250 mm |
| d | 150 mm |
| B | 80 mm |
| C | 80 mm |
| Size (mm) | 150x250x80 |
| Width (mm) | 80 |
| Bearing number | 23130W33 |
| Bore Diameter (mm) | 150 |
| Outer Diameter (mm) | 250 |



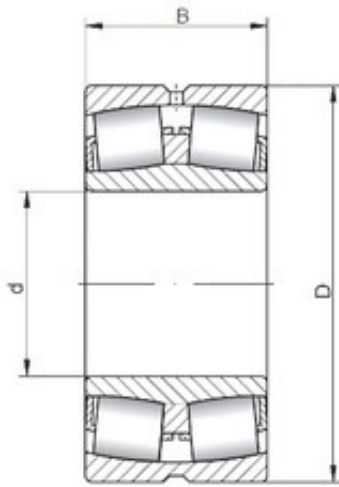
Bearing No. 23126W33

| | |
|---------------------|------------|
| D | 210 mm |
| d | 130 mm |
| B | 64 mm |
| C | 64 mm |
| Size (mm) | 130x210x64 |
| Width (mm) | 64 |
| Bearing number | 23126W33 |
| Bore Diameter (mm) | 130 |
| Outer Diameter (mm) | 210 |



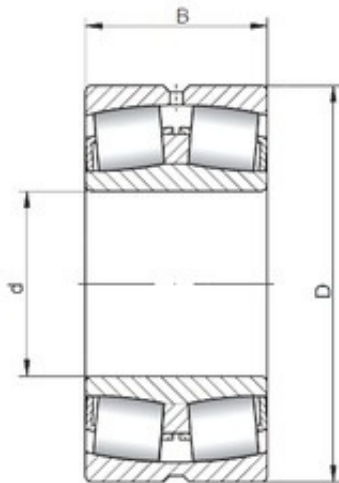
Bearing No. 23124W33

| | |
|---------------------|------------|
| D | 200 mm |
| d | 120 mm |
| B | 62 mm |
| C | 62 mm |
| Size (mm) | 120x200x62 |
| Width (mm) | 62 |
| Bearing number | 23124W33 |
| Bore Diameter (mm) | 120 |
| Outer Diameter (mm) | 200 |



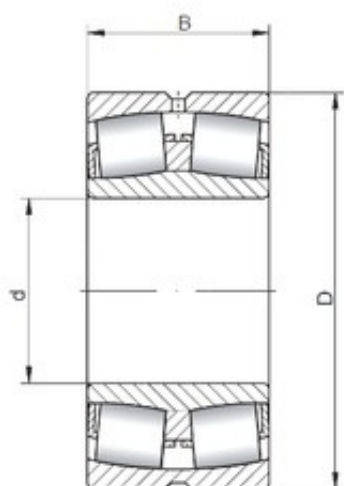
Bearing No. 23122W33

| | |
|---------------------|------------|
| D | 180 mm |
| d | 110 mm |
| B | 56 mm |
| C | 56 mm |
| Size (mm) | 110x180x56 |
| Width (mm) | 56 |
| Bearing number | 23122W33 |
| Bore Diameter (mm) | 110 |
| Outer Diameter (mm) | 180 |



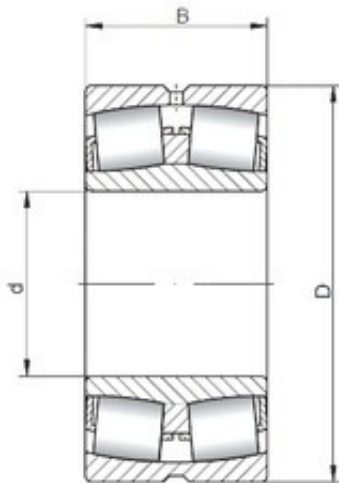
Bearing No. 23120W33

| | |
|---------------------|------------|
| D | 165 mm |
| d | 100 mm |
| B | 52 mm |
| C | 52 mm |
| Size (mm) | 100x165x52 |
| Width (mm) | 52 |
| Bearing number | 23120W33 |
| Bore Diameter (mm) | 100 |
| Outer Diameter (mm) | 165 |



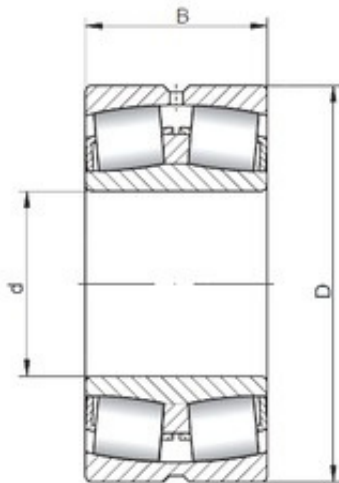
Bearing No. 23236W33

| | |
|---------------------|-------------|
| D | 320 mm |
| d | 180 mm |
| B | 112 mm |
| C | 112 mm |
| Size (mm) | 180x320x112 |
| Width (mm) | 112 |
| Bearing number | 23236W33 |
| Bore Diameter (mm) | 180 |
| Outer Diameter (mm) | 320 |



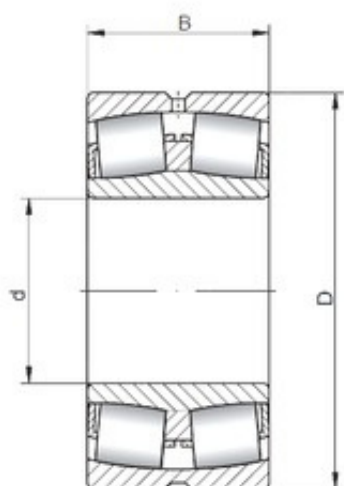
Bearing No. 23234W33

| | |
|---------------------|-------------|
| D | 310 mm |
| d | 170 mm |
| B | 110 mm |
| C | 110 mm |
| Size (mm) | 170x310x110 |
| Width (mm) | 110 |
| Bearing number | 23234W33 |
| Bore Diameter (mm) | 170 |
| Outer Diameter (mm) | 310 |



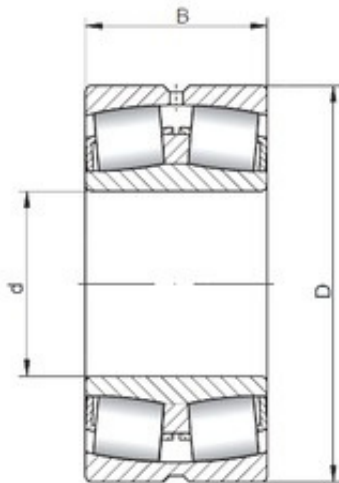
Bearing No. 23232W33

| | |
|---------------------|-------------|
| D | 290 mm |
| d | 160 mm |
| B | 104 mm |
| C | 104 mm |
| Size (mm) | 160x290x104 |
| Width (mm) | 104 |
| Bearing number | 23232W33 |
| Bore Diameter (mm) | 160 |
| Outer Diameter (mm) | 290 |



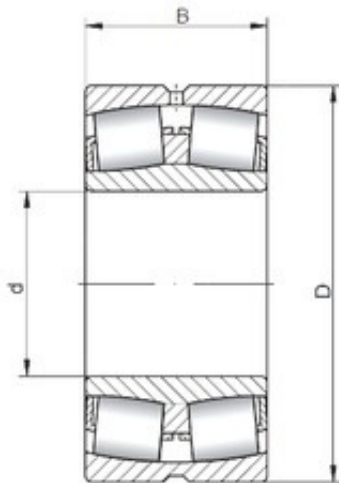
Bearing No. 23230W33

| | |
|---------------------|------------|
| D | 270 mm |
| d | 150 mm |
| B | 96 mm |
| C | 96 mm |
| Size (mm) | 150x270x96 |
| Width (mm) | 96 |
| Bearing number | 23230W33 |
| Bore Diameter (mm) | 150 |
| Outer Diameter (mm) | 270 |



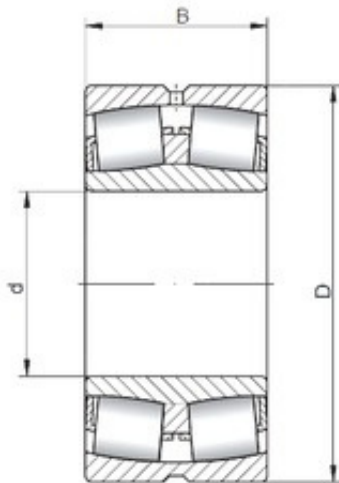
Bearing No. 23228W33

| | |
|---------------------|------------|
| D | 250 mm |
| d | 140 mm |
| B | 88 mm |
| C | 88 mm |
| Size (mm) | 140x250x88 |
| Width (mm) | 88 |
| Bearing number | 23228W33 |
| Bore Diameter (mm) | 140 |
| Outer Diameter (mm) | 250 |



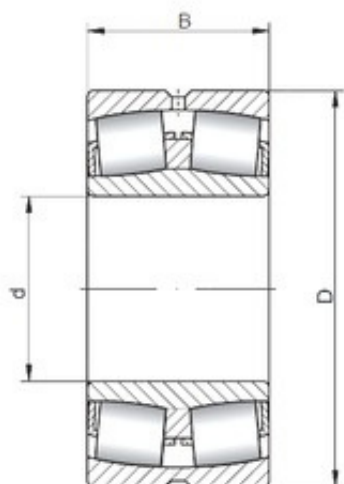
Bearing No. 23226W33

| | |
|---------------------|------------|
| D | 230 mm |
| d | 130 mm |
| B | 80 mm |
| C | 80 mm |
| Size (mm) | 130x230x80 |
| Width (mm) | 80 |
| Bearing number | 23226W33 |
| Bore Diameter (mm) | 130 |
| Outer Diameter (mm) | 230 |



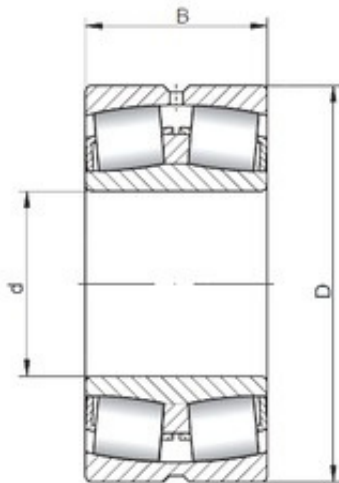
Bearing No. 23224W33

| | |
|---------------------|------------|
| D | 215 mm |
| d | 120 mm |
| B | 76 mm |
| C | 76 mm |
| Size (mm) | 120x215x76 |
| Width (mm) | 76 |
| Bearing number | 23224W33 |
| Bore Diameter (mm) | 120 |
| Outer Diameter (mm) | 215 |



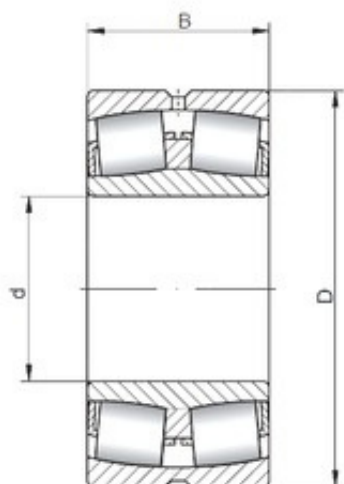
Bearing No. 23222W33

| | |
|---------------------|------------|
| D | 200 mm |
| d | 110 mm |
| B | 70 mm |
| C | 70 mm |
| Size (mm) | 110x200x70 |
| Width (mm) | 70 |
| Bearing number | 23222W33 |
| Bore Diameter (mm) | 110 |
| Outer Diameter (mm) | 200 |



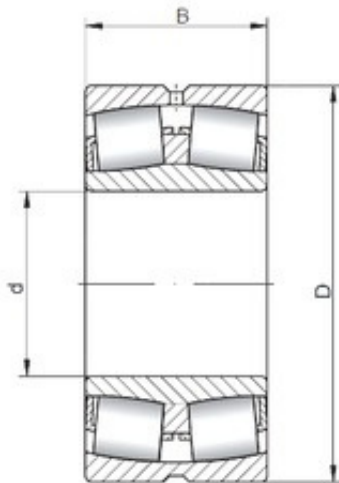
Bearing No. 23220W33

| | |
|---------------------|--------------|
| D | 180 mm |
| d | 100 mm |
| B | 60.3 mm |
| C | 60.3 mm |
| Size (mm) | 100x180x60.3 |
| Width (mm) | 60.3 |
| Bearing number | 23220W33 |
| Bore Diameter (mm) | 100 |
| Outer Diameter (mm) | 180 |



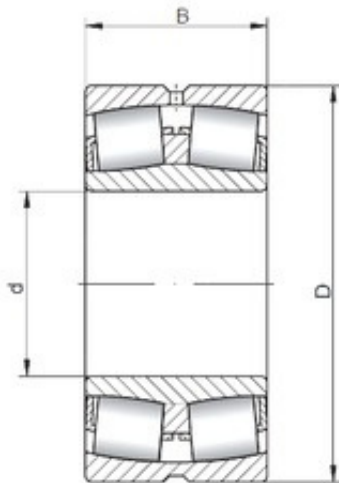
Bearing No. 23218W33

| | |
|---------------------|-------------|
| D | 160 mm |
| d | 90 mm |
| B | 52.4 mm |
| C | 52.4 mm |
| Size (mm) | 90x160x52.4 |
| Width (mm) | 52.4 |
| Bearing number | 23218W33 |
| Bore Diameter (mm) | 90 |
| Outer Diameter (mm) | 160 |



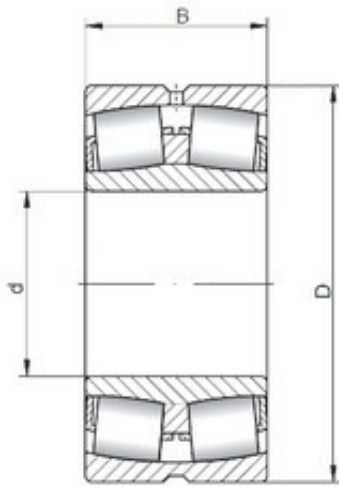
Bearing No. 23972W33

| | |
|---------------------|------------|
| D | 480 mm |
| d | 360 mm |
| B | 90 mm |
| C | 90 mm |
| Size (mm) | 360x480x90 |
| Width (mm) | 90 |
| Bearing number | 23972W33 |
| Bore Diameter (mm) | 360 |
| Outer Diameter (mm) | 480 |



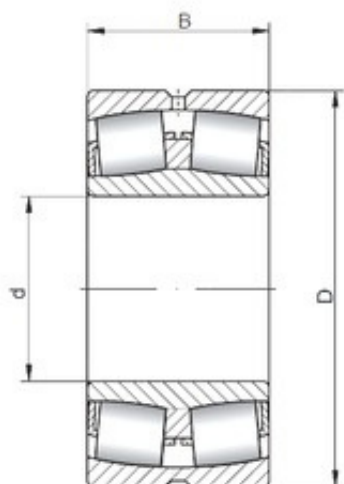
Bearing No. 23968W33

| | |
|---------------------|------------|
| D | 460 mm |
| d | 340 mm |
| B | 90 mm |
| C | 90 mm |
| Size (mm) | 340x460x90 |
| Width (mm) | 90 |
| Bearing number | 23968W33 |
| Bore Diameter (mm) | 340 |
| Outer Diameter (mm) | 460 |



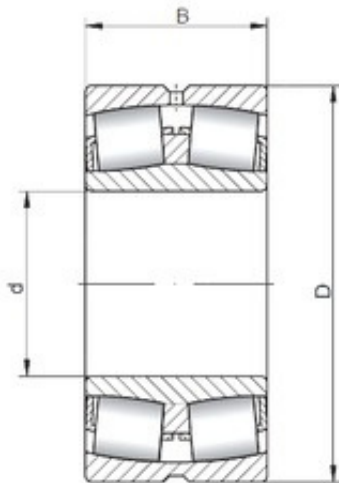
Bearing No. 23960W33

| | |
|---------------------|------------|
| D | 420 mm |
| d | 300 mm |
| B | 90 mm |
| C | 90 mm |
| Size (mm) | 300x420x90 |
| Width (mm) | 90 |
| Bearing number | 23960W33 |
| Bore Diameter (mm) | 300 |
| Outer Diameter (mm) | 420 |



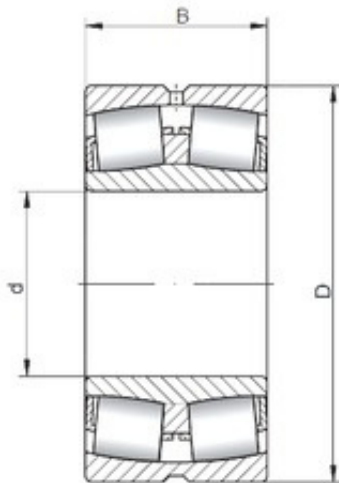
Bearing No. 23956W33

| | |
|---------------------|------------|
| D | 380 mm |
| d | 280 mm |
| B | 75 mm |
| C | 75 mm |
| Size (mm) | 280x380x75 |
| Width (mm) | 75 |
| Bearing number | 23956W33 |
| Bore Diameter (mm) | 280 |
| Outer Diameter (mm) | 380 |



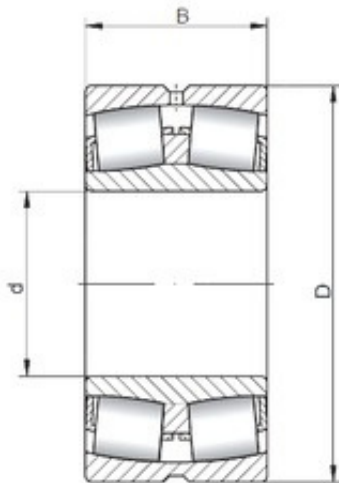
Bearing No. 23952W33

| | |
|---------------------|------------|
| D | 360 mm |
| d | 260 mm |
| B | 75 mm |
| C | 75 mm |
| Size (mm) | 260x360x75 |
| Width (mm) | 75 |
| Bearing number | 23952W33 |
| Bore Diameter (mm) | 260 |
| Outer Diameter (mm) | 360 |



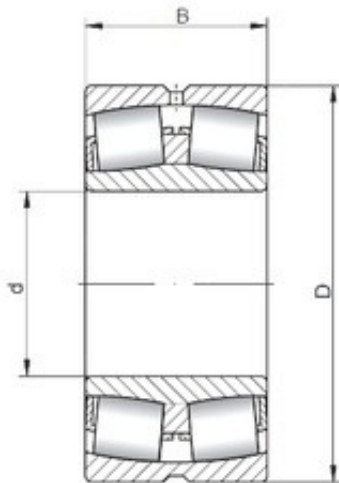
Bearing No. 23948W33

| | |
|---------------------|------------|
| D | 320 mm |
| d | 240 mm |
| B | 60 mm |
| C | 60 mm |
| Size (mm) | 240x320x60 |
| Width (mm) | 60 |
| Bearing number | 23948W33 |
| Bore Diameter (mm) | 240 |
| Outer Diameter (mm) | 320 |



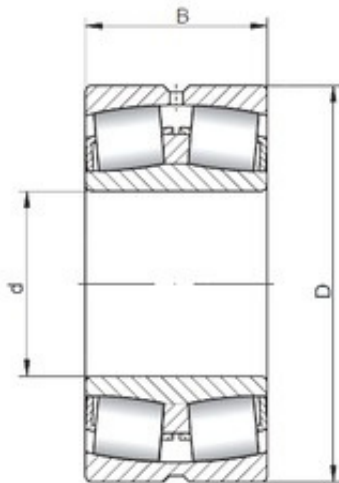
Bearing No. 23944W33

| | |
|---------------------|------------|
| D | 300 mm |
| d | 220 mm |
| B | 60 mm |
| C | 60 mm |
| Size (mm) | 220x300x60 |
| Width (mm) | 60 |
| Bearing number | 23944W33 |
| Bore Diameter (mm) | 220 |
| Outer Diameter (mm) | 300 |



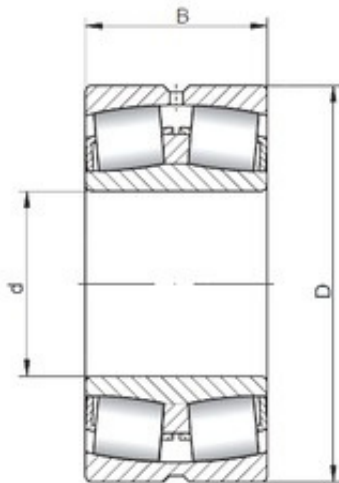
Bearing No. 23940W33

| | |
|---------------------|------------|
| D | 280 mm |
| d | 200 mm |
| B | 60 mm |
| C | 60 mm |
| Size (mm) | 200x280x60 |
| Width (mm) | 60 |
| Bearing number | 23940W33 |
| Bore Diameter (mm) | 200 |
| Outer Diameter (mm) | 280 |



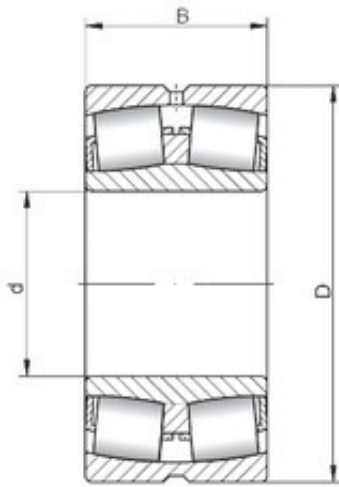
Bearing No. 23938W33

| | |
|---------------------|------------|
| D | 260 mm |
| d | 190 mm |
| B | 52 mm |
| C | 52 mm |
| Size (mm) | 190x260x52 |
| Width (mm) | 52 |
| Bearing number | 23938W33 |
| Bore Diameter (mm) | 190 |
| Outer Diameter (mm) | 260 |



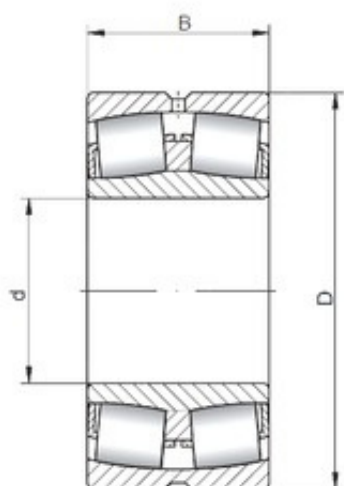
Bearing No. 23936W33

| | |
|---------------------|------------|
| D | 250 mm |
| d | 180 mm |
| B | 52 mm |
| C | 52 mm |
| Size (mm) | 180x250x52 |
| Width (mm) | 52 |
| Bearing number | 23936W33 |
| Bore Diameter (mm) | 180 |
| Outer Diameter (mm) | 250 |



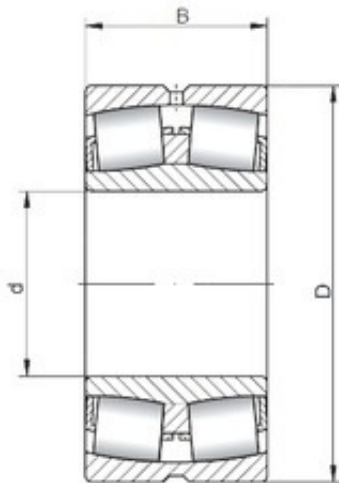
Bearing No. 24044W33

| | |
|---------------------|-------------|
| D | 340 mm |
| d | 220 mm |
| B | 118 mm |
| C | 118 mm |
| Size (mm) | 220x340x118 |
| Width (mm) | 118 |
| Bearing number | 24044W33 |
| Bore Diameter (mm) | 220 |
| Outer Diameter (mm) | 340 |



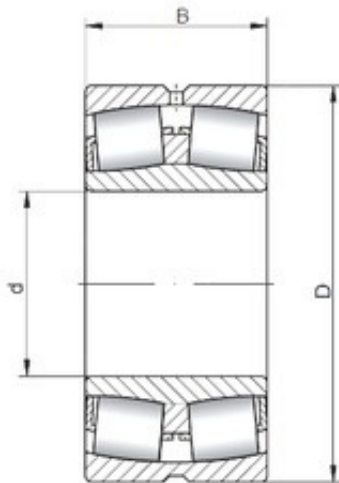
Bearing No. 24040W33

| | |
|---------------------|-------------|
| D | 310 mm |
| d | 200 mm |
| B | 109 mm |
| C | 109 mm |
| Size (mm) | 200x310x109 |
| Width (mm) | 109 |
| Bearing number | 24040W33 |
| Bore Diameter (mm) | 200 |
| Outer Diameter (mm) | 310 |



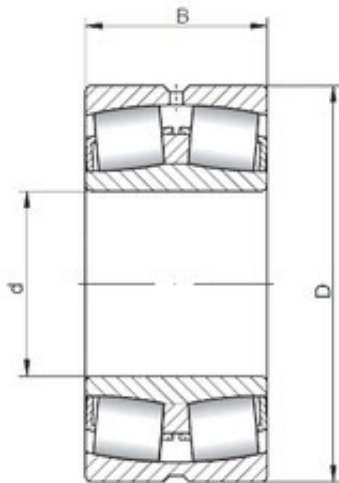
Bearing No. 24038W33

| | |
|---------------------|-------------|
| D | 290 mm |
| d | 190 mm |
| B | 100 mm |
| C | 100 mm |
| Size (mm) | 190x290x100 |
| Width (mm) | 100 |
| Bearing number | 24038W33 |
| Bore Diameter (mm) | 190 |
| Outer Diameter (mm) | 290 |



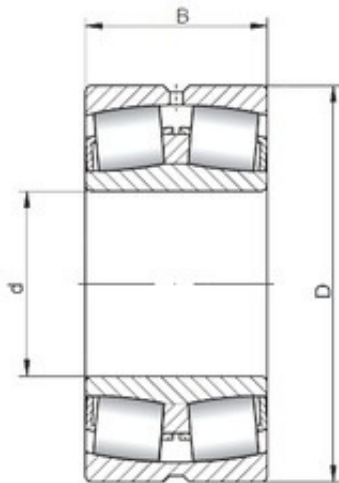
Bearing No. 24036W33

| | |
|---------------------|-------------|
| D | 280 mm |
| d | 180 mm |
| B | 100 mm |
| C | 100 mm |
| Size (mm) | 180x280x100 |
| Width (mm) | 100 |
| Bearing number | 24036W33 |
| Bore Diameter (mm) | 180 |
| Outer Diameter (mm) | 280 |



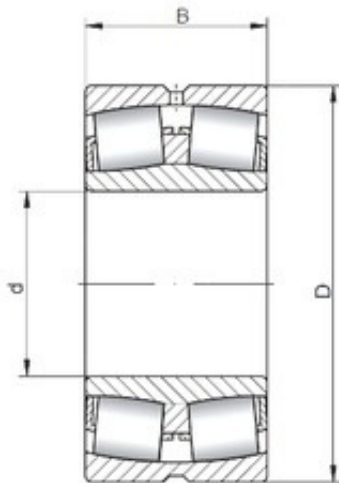
Bearing No. 24034W33

| | |
|---------------------|------------|
| D | 260 mm |
| d | 170 mm |
| B | 90 mm |
| C | 90 mm |
| Size (mm) | 170x260x90 |
| Width (mm) | 90 |
| Bearing number | 24034W33 |
| Bore Diameter (mm) | 170 |
| Outer Diameter (mm) | 260 |



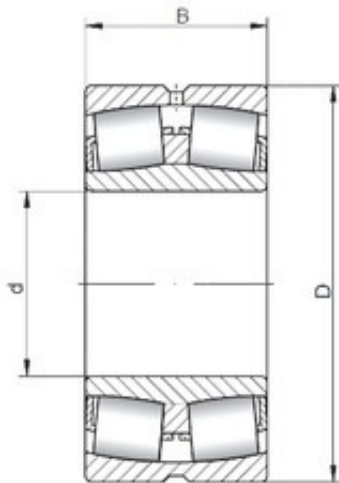
Bearing No. 24032W33

| | |
|---------------------|------------|
| D | 240 mm |
| d | 160 mm |
| B | 80 mm |
| C | 80 mm |
| Size (mm) | 160x240x80 |
| Width (mm) | 80 |
| Bearing number | 24032W33 |
| Bore Diameter (mm) | 160 |
| Outer Diameter (mm) | 240 |



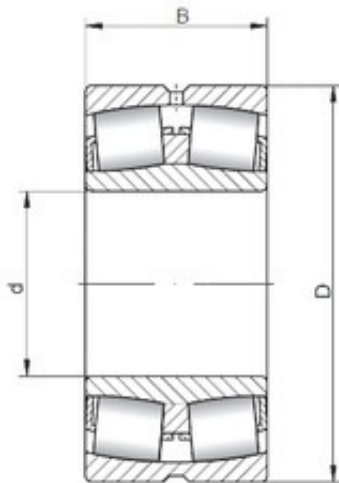
Bearing No. 24030W33

| | |
|---------------------|------------|
| D | 225 mm |
| d | 150 mm |
| B | 75 mm |
| C | 75 mm |
| Size (mm) | 150x225x75 |
| Width (mm) | 75 |
| Bearing number | 24030W33 |
| Bore Diameter (mm) | 150 |
| Outer Diameter (mm) | 225 |



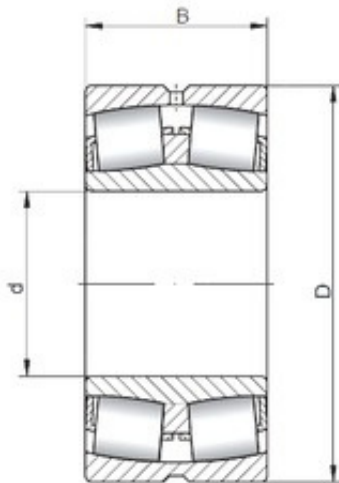
Bearing No. 24028W33

| | |
|---------------------|------------|
| D | 210 mm |
| d | 140 mm |
| B | 69 mm |
| C | 69 mm |
| Size (mm) | 140x210x69 |
| Width (mm) | 69 |
| Bearing number | 24028W33 |
| Bore Diameter (mm) | 140 |
| Outer Diameter (mm) | 210 |



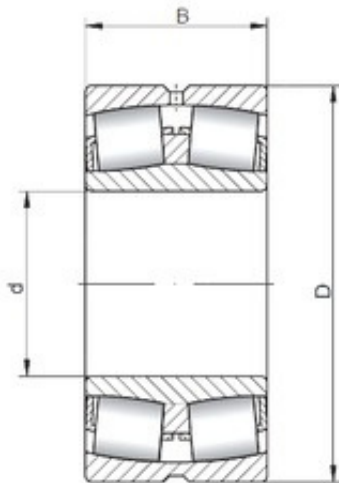
Bearing No. 24026W33

| | |
|---------------------|------------|
| D | 200 mm |
| d | 130 mm |
| B | 69 mm |
| C | 69 mm |
| Size (mm) | 130x200x69 |
| Width (mm) | 69 |
| Bearing number | 24026W33 |
| Bore Diameter (mm) | 130 |
| Outer Diameter (mm) | 200 |



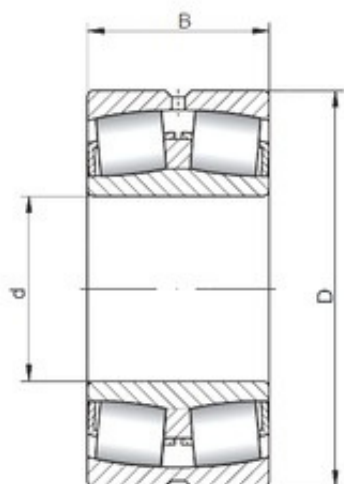
Bearing No. 24024W33

| | |
|---------------------|------------|
| D | 180 mm |
| d | 120 mm |
| B | 60 mm |
| C | 60 mm |
| Size (mm) | 120x180x60 |
| Width (mm) | 60 |
| Bearing number | 24024W33 |
| Bore Diameter (mm) | 120 |
| Outer Diameter (mm) | 180 |



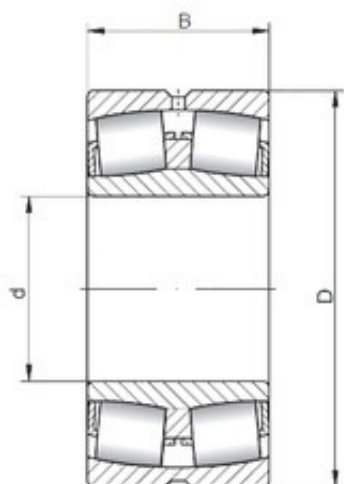
Bearing No. 24140W33

| | |
|---------------------|-------------|
| D | 340 mm |
| d | 200 mm |
| B | 140 mm |
| C | 140 mm |
| Size (mm) | 200x340x140 |
| Width (mm) | 140 |
| Bearing number | 24140W33 |
| Bore Diameter (mm) | 200 |
| Outer Diameter (mm) | 340 |



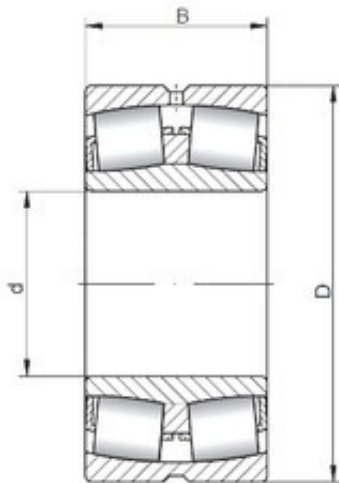
Bearing No. 24138W33

| | |
|---------------------|-------------|
| D | 320 mm |
| d | 190 mm |
| B | 128 mm |
| C | 128 mm |
| Size (mm) | 190x320x128 |
| Width (mm) | 128 |
| Bearing number | 24138W33 |
| Bore Diameter (mm) | 190 |
| Outer Diameter (mm) | 320 |



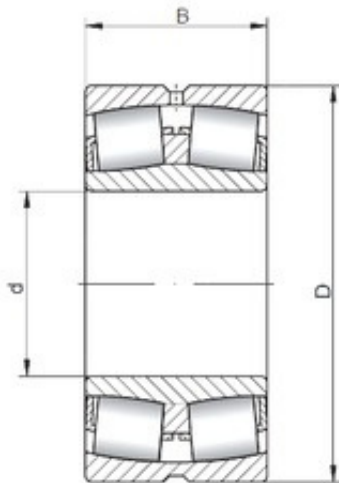
Bearing No. 24136W33

| | |
|---------------------|-------------|
| D | 300 mm |
| d | 180 mm |
| B | 118 mm |
| C | 118 mm |
| Size (mm) | 180x300x118 |
| Width (mm) | 118 |
| Bearing number | 24136W33 |
| Bore Diameter (mm) | 180 |
| Outer Diameter (mm) | 300 |



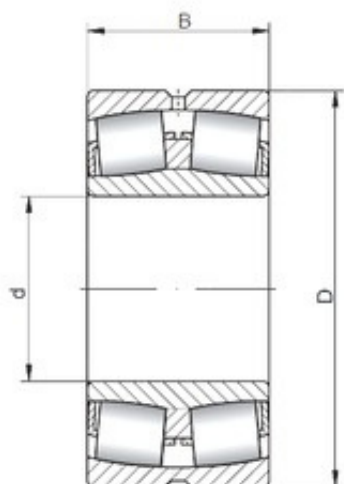
Bearing No. 24134W33

| | |
|---------------------|-------------|
| D | 280 mm |
| d | 170 mm |
| B | 109 mm |
| C | 109 mm |
| Size (mm) | 170x280x109 |
| Width (mm) | 109 |
| Bearing number | 24134W33 |
| Bore Diameter (mm) | 170 |
| Outer Diameter (mm) | 280 |



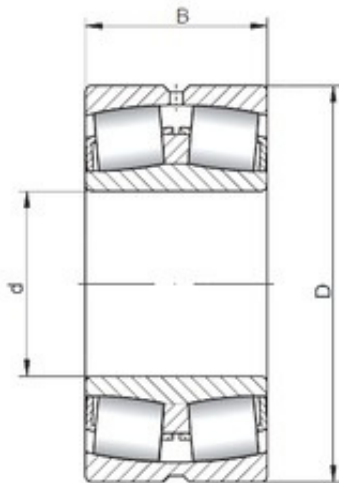
Bearing No. 24132W33

| | |
|---------------------|-------------|
| D | 270 mm |
| d | 160 mm |
| B | 109 mm |
| C | 109 mm |
| Size (mm) | 160x270x109 |
| Width (mm) | 109 |
| Bearing number | 24132W33 |
| Bore Diameter (mm) | 160 |
| Outer Diameter (mm) | 270 |



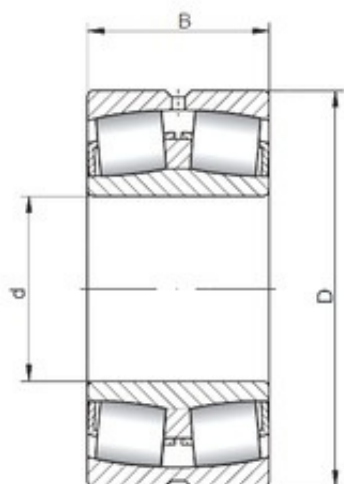
Bearing No. 24130W33

| | |
|---------------------|-------------|
| D | 250 mm |
| d | 150 mm |
| B | 100 mm |
| C | 100 mm |
| Size (mm) | 150x250x100 |
| Width (mm) | 100 |
| Bearing number | 24130W33 |
| Bore Diameter (mm) | 150 |
| Outer Diameter (mm) | 250 |



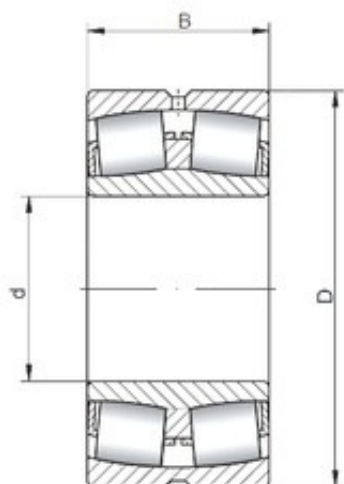
Bearing No. 24128W33

| | |
|---------------------|------------|
| D | 225 mm |
| d | 140 mm |
| B | 85 mm |
| C | 85 mm |
| Size (mm) | 140x225x85 |
| Width (mm) | 85 |
| Bearing number | 24128W33 |
| Bore Diameter (mm) | 140 |
| Outer Diameter (mm) | 225 |



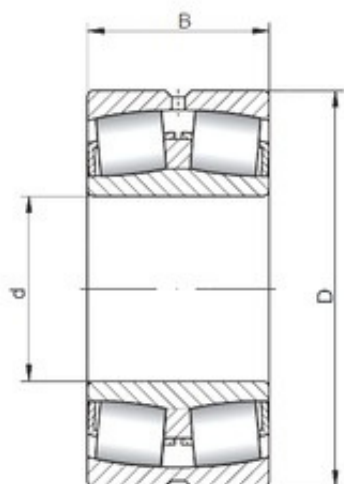
Bearing No. 24126W33

| | |
|---------------------|------------|
| D | 210 mm |
| d | 130 mm |
| B | 80 mm |
| C | 80 mm |
| Size (mm) | 130x210x80 |
| Width (mm) | 80 |
| Bearing number | 24126W33 |
| Bore Diameter (mm) | 130 |
| Outer Diameter (mm) | 210 |



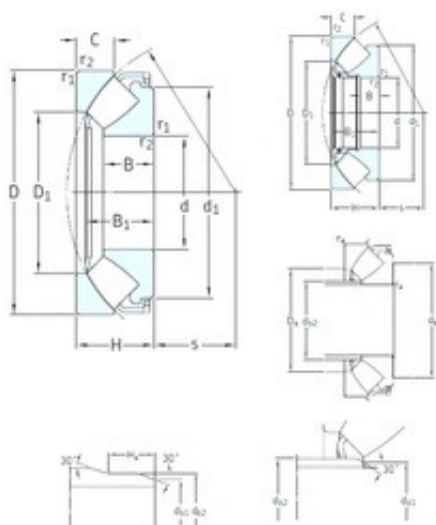
Bearing No. 24124W33

| | |
|---------------------|------------|
| D | 200 mm |
| d | 120 mm |
| B | 80 mm |
| C | 80 mm |
| Size (mm) | 120x200x80 |
| Width (mm) | 80 |
| Bearing number | 24124W33 |
| Bore Diameter (mm) | 120 |
| Outer Diameter (mm) | 200 |



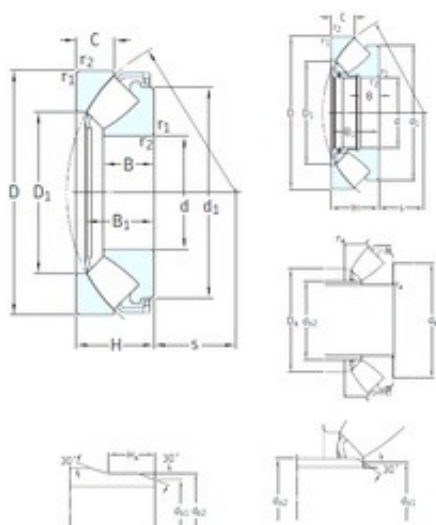
Bearing No. 24122W33

| | |
|---------------------|------------|
| D | 180 mm |
| d | 110 mm |
| B | 69 mm |
| C | 69 mm |
| Size (mm) | 110x180x69 |
| Width (mm) | 69 |
| Bearing number | 24122W33 |
| Bore Diameter (mm) | 110 |
| Outer Diameter (mm) | 180 |



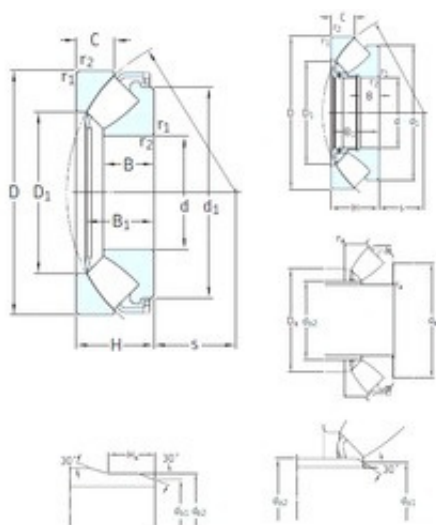
Bearing No. 29334E

| | |
|-------------------------------|--------------|
| B | 42,2 mm |
| H | 67 mm |
| s | 96 mm |
| d | 170 mm |
| D | 280 mm |
| C | 30,5 mm |
| D1 | 215 mm |
| B1 | 61,1 mm |
| d1 | 251 mm |
| Weight | 15 Kg |
| r1 min. | 3 mm |
| r2 min. | 3 mm |
| ra max. | 2,5 mm |
| da min. | 220 mm |
| Da max. | 245 mm |
| db2 max. | 188 mm |
| db1 max. | 178 mm |
| Size (mm) | 170x280x30.5 |
| Width (mm) | 30,5 |
| Bearing number | 29334E |
| Limiting speed | 2200 r/min |
| Reference speed | 1300 r/min |
| Bore Diameter (mm) | 170 |
| Outer Diameter (mm) | 280 |
| Fatigue load limit (Pu) | 365 |
| Basic dynamic load rating (C) | 1200 kN |
| Basic static load rating (C0) | 3550 kN |



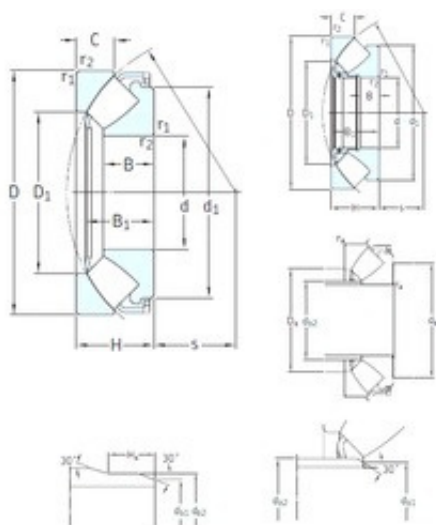
Bearing No. 29332E

| | |
|-------------------------------|------------|
| B | 42 mm |
| H | 67 mm |
| s | 92 mm |
| d | 160 mm |
| D | 270 mm |
| C | 33 mm |
| D1 | 203 mm |
| B1 | 60 mm |
| d1 | 243 mm |
| Weight | 14,5 Kg |
| r1 min. | 3 mm |
| r2 min. | 3 mm |
| ra max. | 2,5 mm |
| da min. | 210 mm |
| Da max. | 235 mm |
| db2 max. | 176 mm |
| db1 max. | 169 mm |
| Size (mm) | 160x270x33 |
| Width (mm) | 33 |
| Bearing number | 29332E |
| Limiting speed | 2200 r/min |
| Reference speed | 1300 r/min |
| Bore Diameter (mm) | 160 |
| Outer Diameter (mm) | 270 |
| Fatigue load limit (Pu) | 375 |
| Basic dynamic load rating (C) | 1180 kN |
| Basic static load rating (C0) | 3450 kN |



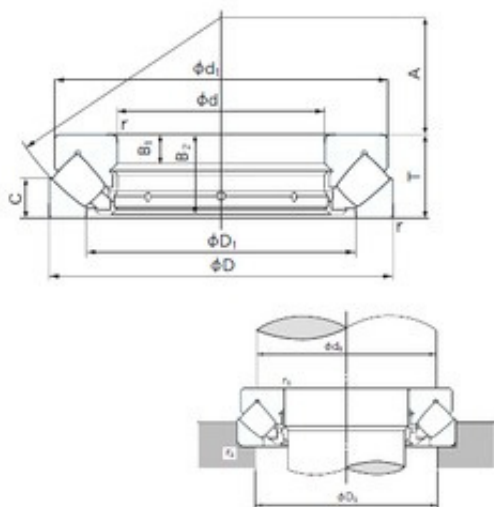
Bearing No. 29330E

| | |
|-------------------------------|------------|
| B | 38 mm |
| H | 60 mm |
| s | 87 mm |
| d | 150 mm |
| D | 250 mm |
| C | 28 mm |
| D1 | 190 mm |
| B1 | 54,9 mm |
| d1 | 223 mm |
| Weight | 11 Kg |
| r1 min. | 2,1 mm |
| r2 min. | 2,1 mm |
| ra max. | 2 mm |
| da min. | 195 mm |
| Da max. | 219 mm |
| db2 max. | 163 mm |
| db1 max. | 158 mm |
| Size (mm) | 150x250x28 |
| Width (mm) | 28 |
| Bearing number | 29330E |
| Limiting speed | 2400 r/min |
| Reference speed | 1500 r/min |
| Bore Diameter (mm) | 150 |
| Outer Diameter (mm) | 250 |
| Fatigue load limit (Pu) | 315 |
| Basic dynamic load rating (C) | 1000 kN |
| Basic static load rating (C0) | 2850 kN |



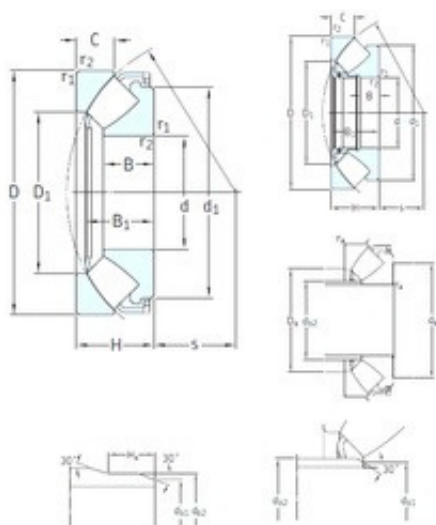
Bearing No. 29328E

| | |
|-------------------------------|------------|
| B | 38,5 mm |
| H | 60 mm |
| s | 82 mm |
| d | 140 mm |
| D | 240 mm |
| C | 30 mm |
| D1 | 177 mm |
| B1 | 54 mm |
| d1 | 216 mm |
| Weight | 10,5 Kg |
| r1 min. | 2,1 mm |
| r2 min. | 2,1 mm |
| ra max. | 2 mm |
| da min. | 185 mm |
| Da max. | 208 mm |
| db2 max. | 154 mm |
| db1 max. | 148 mm |
| Size (mm) | 140x240x30 |
| Width (mm) | 30 |
| Bearing number | 29328E |
| Limiting speed | 2600 r/min |
| Reference speed | 1500 r/min |
| Bore Diameter (mm) | 140 |
| Outer Diameter (mm) | 240 |
| Fatigue load limit (Pu) | 315 |
| Basic dynamic load rating (C) | 980 kN |
| Basic static load rating (C0) | 2850 kN |



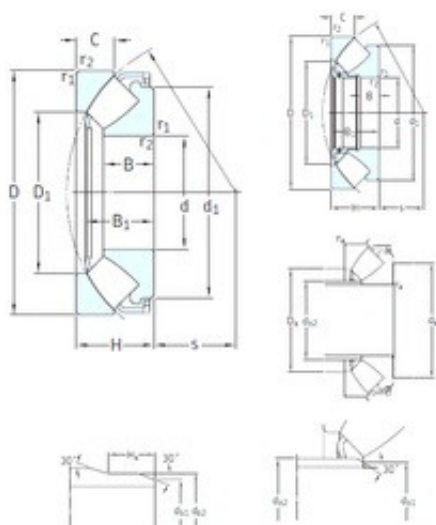
Bearing No. 29326E

| | |
|---------------------|------------------|
| C | 28 mm |
| B | 19 mm |
| d | 130 mm |
| D | 225 mm |
| T | 58 mm |
| A | 76 mm |
| B1 | 19 mm |
| D1 | 171 mm |
| d1 | 215 mm |
| B2 | 55 mm |
| Width | 58 mm |
| r min. | 2.1 mm |
| Weight | 9.45 Kg |
| da min. | 170 mm |
| Da max. | 195 mm |
| ra max. | 2 mm |
| da (min) | 170 mm |
| Da (max) | 195 mm |
| ra (max) | 2 mm |
| Bore Type | Cylindrical Bore |
| Enclosure | Open |
| Bore Size | 130 mm |
| Size (mm) | 130x225x58 |
| Width (mm) | 58 |
| Configuration | Single Row |
| Bearing number | 29326E |
| Outside Diameter | 225 mm |
| Static Load Rating | 2,420,000 N |
| Bore Diameter (mm) | 130 |
| Dynamic Load Rating | 665,000 N |



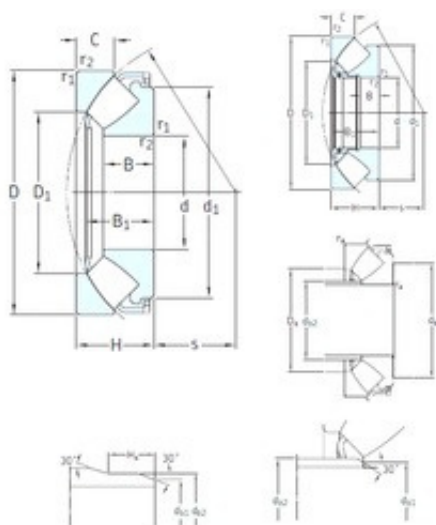
Bearing No. 29324E

| | |
|-------------------------------|------------|
| B | 34 mm |
| H | 54 mm |
| s | 70 mm |
| d | 120 mm |
| D | 210 mm |
| C | 27 mm |
| D1 | 155 mm |
| B1 | 48,2 mm |
| d1 | 188 mm |
| Weight | 7,35 Kg |
| r1 min. | 2,1 mm |
| r2 min. | 2,1 mm |
| ra max. | 2 mm |
| da min. | 160 mm |
| Da max. | 181 mm |
| db2 max. | 128 mm |
| db1 max. | 128 mm |
| Size (mm) | 120x210x27 |
| Width (mm) | 27 |
| Bearing number | 29324E |
| Limiting speed | 2800 r/min |
| Reference speed | 1700 r/min |
| Bore Diameter (mm) | 120 |
| Outer Diameter (mm) | 210 |
| Fatigue load limit (Pu) | 245 |
| Basic dynamic load rating (C) | 765 kN |
| Basic static load rating (C0) | 2120 kN |



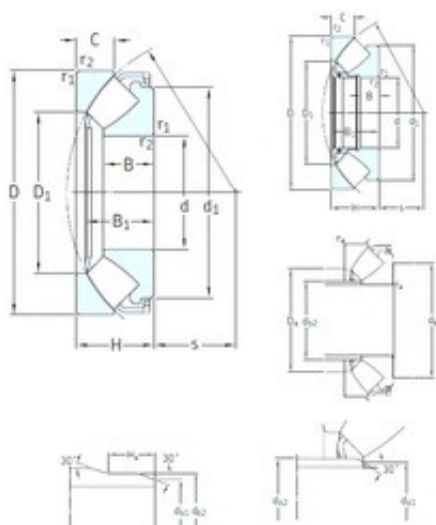
Bearing No. 29322E

| | |
|-------------------------------|--------------|
| B | 30,3 mm |
| H | 48 mm |
| s | 63,8 mm |
| d | 110 mm |
| D | 190 mm |
| C | 24,8 mm |
| D1 | 140 mm |
| B1 | 41,7 mm |
| d1 | 171 mm |
| Weight | 5,3 Kg |
| r1 min. | 2 mm |
| r2 min. | 2 mm |
| ra max. | 2 mm |
| da min. | 145 mm |
| Da max. | 164 mm |
| db2 max. | 117 mm |
| db1 max. | 117 mm |
| Size (mm) | 110x190x24.8 |
| Width (mm) | 24,8 |
| Bearing number | 29322E |
| Limiting speed | 3200 r/min |
| Reference speed | 1900 r/min |
| Bore Diameter (mm) | 110 |
| Outer Diameter (mm) | 190 |
| Fatigue load limit (Pu) | 204 |
| Basic dynamic load rating (C) | 610 kN |
| Basic static load rating (C0) | 1730 kN |



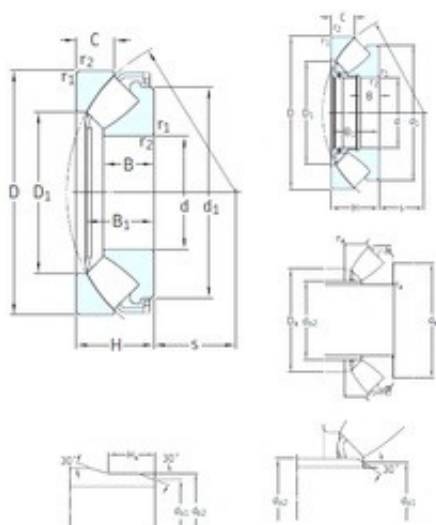
Bearing No. 29320E

| | |
|-------------------------------|--------------|
| B | 26,2 mm |
| H | 42 mm |
| s | 58 mm |
| d | 100 mm |
| D | 170 mm |
| C | 20,5 mm |
| D1 | 128 mm |
| B1 | 36,3 mm |
| d1 | 152 mm |
| Weight | 3,65 Kg |
| r1 min. | 1,5 mm |
| r2 min. | 1,5 mm |
| ra max. | 1,5 mm |
| da min. | 130 mm |
| Da max. | 147 mm |
| db2 max. | 107 mm |
| db1 max. | 107 mm |
| Size (mm) | 100x170x20.5 |
| Width (mm) | 20,5 |
| Bearing number | 29320E |
| Limiting speed | 3600 r/min |
| Reference speed | 2200 r/min |
| Bore Diameter (mm) | 100 |
| Outer Diameter (mm) | 170 |
| Fatigue load limit (Pu) | 156 |
| Basic dynamic load rating (C) | 465 kN |
| Basic static load rating (C0) | 1290 kN |



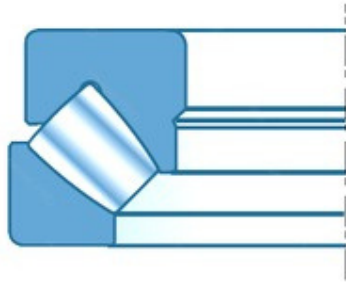
Bearing No. 29317E

| | |
|-------------------------------|------------|
| B | 24,5 mm |
| H | 39 mm |
| s | 50 mm |
| d | 85 mm |
| D | 150 mm |
| C | 20 mm |
| D1 | 110 mm |
| B1 | 33,8 mm |
| d1 | 134 mm |
| Weight | 2,75 Kg |
| r1 min. | 1,5 mm |
| r2 min. | 1,5 mm |
| ra max. | 1,5 mm |
| da min. | 115 mm |
| Da max. | 129 mm |
| db2 max. | 90 mm |
| db1 max. | 90 mm |
| Size (mm) | 85x150x20 |
| Width (mm) | 20 |
| Bearing number | 29317E |
| Limiting speed | 4000 r/min |
| Reference speed | 2400 r/min |
| Bore Diameter (mm) | 85 |
| Outer Diameter (mm) | 150 |
| Fatigue load limit (Pu) | 129 |
| Basic dynamic load rating (C) | 380 kN |
| Basic static load rating (C0) | 1060 kN |



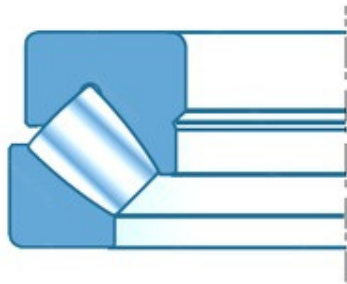
Bearing No. 29318E

| | |
|-------------------------------|-------------|
| B | 24,5 mm |
| H | 39 mm |
| s | 53 mm |
| d | 90 mm |
| D | 155 mm |
| C | 19,5 mm |
| D1 | 115 mm |
| B1 | 34,5 mm |
| d1 | 138 mm |
| Weight | 2,85 Kg |
| r1 min. | 1,5 mm |
| r2 min. | 1,5 mm |
| ra max. | 1,5 mm |
| da min. | 120 mm |
| Da max. | 134 mm |
| db2 max. | 95 mm |
| db1 max. | 95 mm |
| Size (mm) | 90x155x19.5 |
| Width (mm) | 19,5 |
| Bearing number | 29318E |
| Limiting speed | 4000 r/min |
| Reference speed | 2400 r/min |
| Bore Diameter (mm) | 90 |
| Outer Diameter (mm) | 155 |
| Fatigue load limit (Pu) | 132 |
| Basic dynamic load rating (C) | 400 kN |
| Basic static load rating (C0) | 1080 kN |



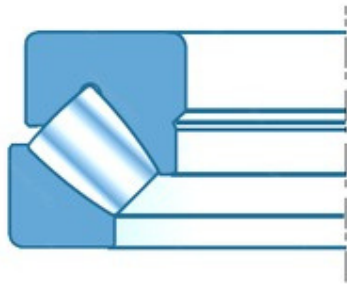
Bearing No. 29424E

| | |
|---------------------|------------|
| D | 250,000 mm |
| d | 120,000 mm |
| H | 78,000 mm |
| Size (mm) | 120x250x78 |
| Width (mm) | 78,000 |
| Bearing number | 29424E |
| Bore Diameter (mm) | 120,000 |
| Outer Diameter (mm) | 250,000 |



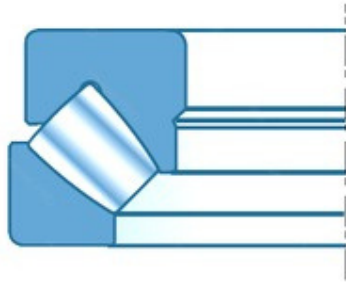
Bearing No. 29422E

| | |
|---------------------|------------|
| D | 230,000 mm |
| d | 110,000 mm |
| H | 73,000 mm |
| Size (mm) | 110x230x73 |
| Width (mm) | 73,000 |
| Bearing number | 29422E |
| Bore Diameter (mm) | 110,000 |
| Outer Diameter (mm) | 230,000 |



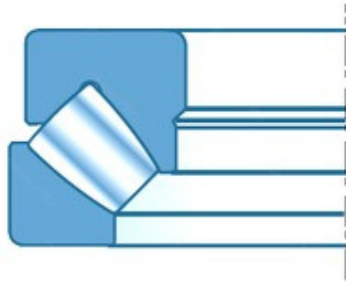
Bearing No. 29420E

| | |
|---------------------|------------|
| D | 210,000 mm |
| d | 100,000 mm |
| H | 67,000 mm |
| Size (mm) | 100x210x67 |
| Width (mm) | 67,000 |
| Bearing number | 29420E |
| Bore Diameter (mm) | 100,000 |
| Outer Diameter (mm) | 210,000 |



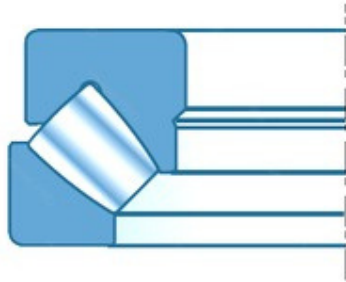
Bearing No. 29417E

| | |
|---------------------|------------|
| D | 180,000 mm |
| d | 85,000 mm |
| H | 58,000 mm |
| Size (mm) | 85x180x58 |
| Width (mm) | 58,000 |
| Bearing number | 29417E |
| Bore Diameter (mm) | 85,000 |
| Outer Diameter (mm) | 180,000 |



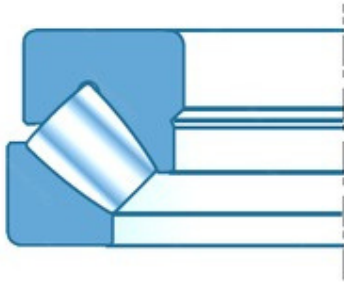
Bearing No. 29416E

| | |
|---------------------|------------|
| D | 170,000 mm |
| d | 80,000 mm |
| H | 54,000 mm |
| Size (mm) | 80x170x54 |
| Width (mm) | 54,000 |
| Bearing number | 29416E |
| Bore Diameter (mm) | 80,000 |
| Outer Diameter (mm) | 170,000 |



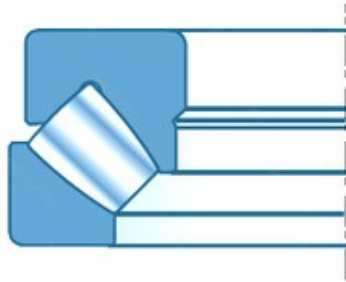
Bearing No. 29415E

| | |
|---------------------|------------|
| D | 160,000 mm |
| d | 75,000 mm |
| H | 51,000 mm |
| Size (mm) | 75x160x51 |
| Width (mm) | 51,000 |
| Bearing number | 29415E |
| Bore Diameter (mm) | 75,000 |
| Outer Diameter (mm) | 160,000 |



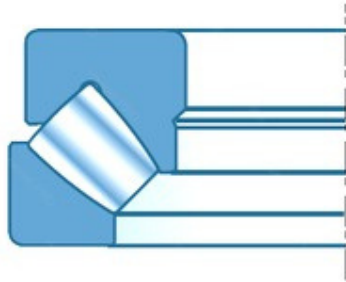
Bearing No. 29414E

| | |
|---------------------|------------|
| D | 150,000 mm |
| d | 70,000 mm |
| H | 48,000 mm |
| Size (mm) | 70x150x48 |
| Width (mm) | 48,000 |
| Bearing number | 29414E |
| Bore Diameter (mm) | 70,000 |
| Outer Diameter (mm) | 150,000 |



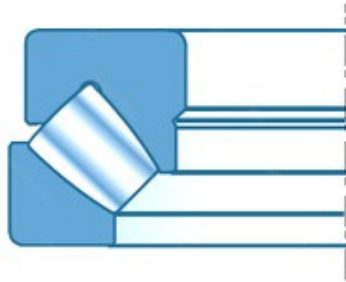
Bearing No. 29413E

| | |
|---------------------|------------|
| D | 140,000 mm |
| d | 65,000 mm |
| H | 45,000 mm |
| Size (mm) | 65x140x45 |
| Width (mm) | 45,000 |
| Bearing number | 29413E |
| Bore Diameter (mm) | 65,000 |
| Outer Diameter (mm) | 140,000 |



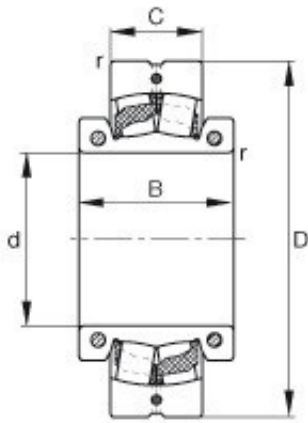
Bearing No. 29412E

| | |
|---------------------|------------|
| D | 130,000 mm |
| d | 60,000 mm |
| H | 42,000 mm |
| Size (mm) | 60x130x42 |
| Width (mm) | 42,000 |
| Bearing number | 29412E |
| Bore Diameter (mm) | 60,000 |
| Outer Diameter (mm) | 130,000 |



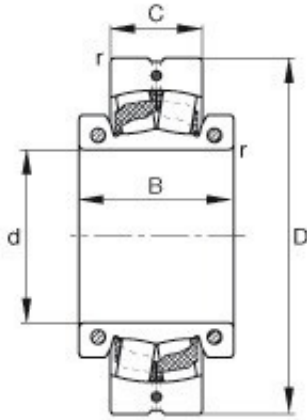
Bearing No. 29418E

| | |
|---------------------|------------|
| D | 190,000 mm |
| d | 90,000 mm |
| H | 60,000 mm |
| Size (mm) | 90x190x60 |
| Width (mm) | 60,000 |
| Bearing number | 29418E |
| Bore Diameter (mm) | 90,000 |
| Outer Diameter (mm) | 190,000 |



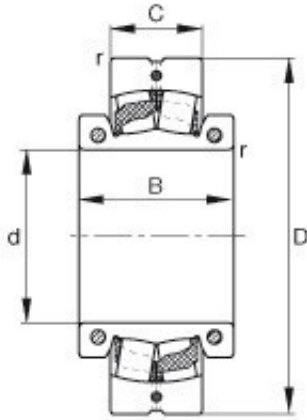
Bearing No. 222S.303

| | |
|----------------|--|
| | H318.303 |
| e | 0,22 |
| C | 40 mm |
| m | 4,27 kg / Weight |
| B | 70 mm |
| d | 3 3/16 inch |
| D | 160 mm |
| SNV160 | Designation, plummer block housing |
| SNW18.303 | Designation, adapter sleeve, US design |
| Size (mm) | 80.963x160x40 |
| Width (mm) | 40 |
| nG | 2160 1/min / Limiting speed |
| Ma | 9 Nm / Tightening torque per clamping screw |
| Mi | 14 Nm / Tightening torque per clamping screw |
| Y | 3,07 |
| 0 | 4,67 |
| Y | 3,14 |
| 2 | 212000 N / Dynamic load rating (radial) |
| Y | |
| C0r 1 | 270000 N / Static load rating (radial) |
| Curr | 25500 N / Fatigue limit load, radial |
| Bearing number | 222S.303 |
| rmin | 2 mm |
| Fa max | 7600 N / Permissible |



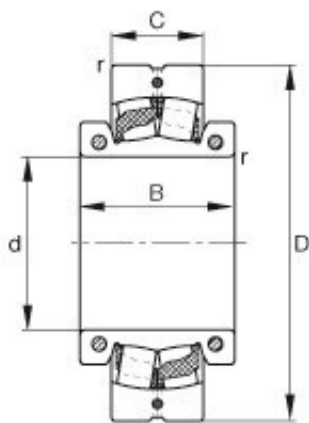
Bearing No. 222S.300

| | |
|----------------|--|
| | H317.300 |
| e | 0,22 |
| C | 36 mm |
| m | 3,88 kg / Weight |
| B | 68 mm |
| d | 3 inch |
| D | 150 mm |
| SNV150 | Designation, plummer block housing |
| SNW17.300 | Designation, adapter sleeve, US design |
| Size (mm) | 76.2x150x36 |
| Width (mm) | 36 |
| nG | 2280 1/min / Limiting speed |
| Ma | 9 Nm / Tightening torque per clamping screw |
| Mi | 14 Nm / Tightening torque per clamping screw |
| Y | 3,03 |
| 0 | 4,62 |
| Y | 3,1 |
| 2 | 183000 N / Dynamic load rating (radial) |
| Y | |
| C0r 1 | 236000 N / Static load rating (radial) |
| Curr | 22500 N / Fatigue limit load, radial |
| Bearing number | 222S.300 |
| rmin | 2 mm |
| Fa max | 7600 N / Permissible |



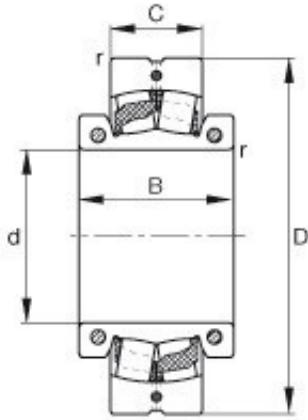
Bearing No. 222S.215

| | |
|----------------|--|
| | H317.215 |
| e | 0,22 |
| C | 36 mm |
| m | 3,94 kg / Weight |
| B | 68 mm |
| d | 2 15/16 inch |
| D | 150 mm |
| SNV150 | Designation, plummer block housing |
| SNW17.215 | Designation, adapter sleeve, US design |
| Size (mm) | 74.613x150x36 |
| Width (mm) | 36 |
| nG | 2280 1/min / Limiting speed |
| Ma | 9 Nm / Tightening torque per clamping screw |
| Mi | 14 Nm / Tightening torque per clamping screw |
| Y | 3,03 |
| 0 | 4,62 |
| Y | 3,1 |
| 2 | 183000 N / Dynamic load rating (radial) |
| Y | |
| C0r 1 | 236000 N / Static load rating (radial) |
| Curr | 22500 N / Fatigue limit load, radial |
| Bearing number | 222S.215 |
| rmin | 2 mm |
| Fa max | 7600 N / Permissible |



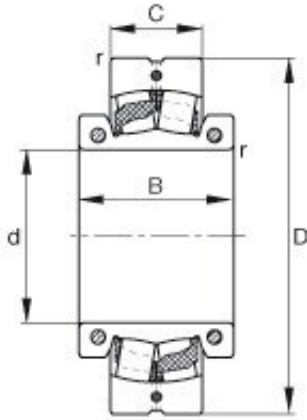
Bearing No. 222S.211

| | |
|----------------|---|
| | H316.211 |
| e | 0,23 |
| C | 33 mm |
| m | 3,27 kg / Weight |
| B | 62 mm |
| d | 2 11/16 inch |
| D | 140 mm |
| SNV140 | Designation, plummer block housing |
| SNW16.211 | Designation, adapter sleeve, US design |
| Size (mm) | 68.263x140x33 |
| Width (mm) | 33 |
| nG | 2340 1/min / Limiting speed |
| Ma | 4 Nm / Tightening torque per clamping screw |
| Mi | 9 Nm / Tightening torque per clamping screw |
| Y0 | 2,89 |
| Y2 | 4,4 |
| Y1 | 2,95 |
| Cr | 180000 N / Dynamic load rating (radial) |
| C0r | 228000 N / Static load rating (radial) |
| Cur | 21100 N / Fatigue limit load, radial |
| Bearing number | 222S.211 |
| rmin | 2 mm |
| Fa max | 5400 N / Permissible axial load, for inner ring |



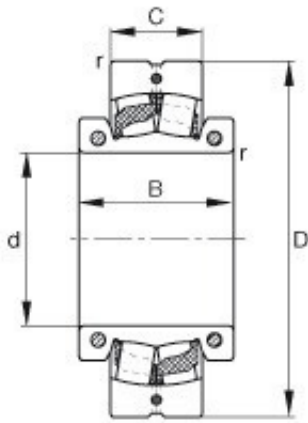
Bearing No. 222S.208

| | |
|----------------|---|
| | H315.208 |
| e | 0,24 |
| C | 31 mm |
| m | 2,47 kg / Weight |
| B | 60 mm |
| d | 2 1/2 inch |
| D | 130 mm |
| SNV130 | Designation, plummer block housing |
| SNW15.208 | Designation, adapter sleeve, US design |
| Size (mm) | 63.5x130x31 |
| Width (mm) | 31 |
| nG | 2440 1/min / Limiting speed |
| Ma | 4 Nm / Tightening torque per clamping screw |
| Mi | 9 Nm / Tightening torque per clamping screw |
| Y0 | 2,75 |
| Y2 | 4,19 |
| Y1 | 2,81 |
| Cr | 173000 N / Dynamic load rating (radial) |
| C0r | 208000 N / Static load rating (radial) |
| Cur | 19400 N / Fatigue limit load, radial |
| Bearing number | 222S.208 |
| rmin | 1,5 mm |
| Fa max | 5400 N / Permissible axial load, for inner ring |



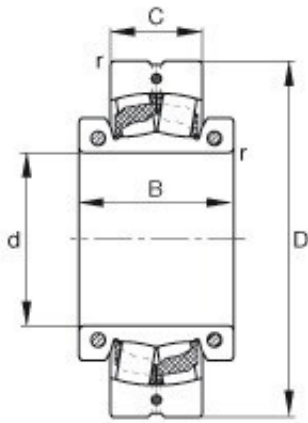
Bearing No. 222S.207

| | |
|----------------|---|
| | H315.207 |
| e | 0,24 |
| C | 31 mm |
| m | 2,81 kg / Weight |
| B | 60 mm |
| d | 2 7/16 inch |
| D | 130 mm |
| SNV130 | Designation, plummer block housing |
| SNW15.207 | Designation, adapter sleeve, US design |
| Size (mm) | 61.913x130x31 |
| Width (mm) | 31 |
| nG | 2440 1/min / Limiting speed |
| Ma | 4 Nm / Tightening torque per clamping screw |
| Mi | 9 Nm / Tightening torque per clamping screw |
| Y0 | 2,75 |
| Y2 | 4,19 |
| Y1 | 2,81 |
| Cr | 173000 N / Dynamic load rating (radial) |
| C0r | 208000 N / Static load rating (radial) |
| Cur | 19400 N / Fatigue limit load, radial |
| Bearing number | 222S.207 |
| rmin | 1,5 mm |
| Fa max | 5400 N / Permissible axial load, for inner ring |



Bearing No. 222S.204

| | |
|----------------|---|
| | H313.204 |
| e | 0,23 |
| C | 31 mm |
| m | 2,19 kg / Weight |
| B | 55 mm |
| d | 2 1/4 inch |
| D | 120 mm |
| SNV120 | Designation, plummer block housing |
| SNW13.204 | Designation, adapter sleeve, US design |
| Size (mm) | 57.15x120x31 |
| Width (mm) | 31 |
| nG | 2850 1/min / Limiting speed |
| Ma | 4 Nm / Tightening torque per clamping screw |
| Mi | 9 Nm / Tightening torque per clamping screw |
| Y0 | 2,92 |
| Y2 | 4,44 |
| Y1 | 2,98 |
| Cr | 137000 N / Dynamic load rating (radial) |
| C0r | 156000 N / Static load rating (radial) |
| Cur | 15400 N / Fatigue limit load, radial |
| Bearing number | 222S.204 |
| rmin | 1,5 mm |
| Fa max | 5400 N / Permissible axial load, for inner ring |



Bearing No. 222S.203

| | |
|----------------|---|
| | H313.203 |
| e | 0,23 |
| C | 31 mm |
| m | 2,25 kg / Weight |
| B | 55 mm |
| d | 2 3/16 inch |
| D | 120 mm |
| SNV120 | Designation, plummer block housing |
| SNW13.203 | Designation, adapter sleeve, US design |
| Size (mm) | 55.563x120x31 |
| Width (mm) | 31 |
| nG | 2850 1/min / Limiting speed |
| Ma | 4 Nm / Tightening torque per clamping screw |
| Mi | 9 Nm / Tightening torque per clamping screw |
| Y0 | 2,92 |
| Y2 | 4,44 |
| Y1 | 2,98 |
| Cr | 137000 N / Dynamic load rating (radial) |
| C0r | 156000 N / Static load rating (radial) |
| Cur | 15400 N / Fatigue limit load, radial |
| Bearing number | 222S.203 |
| rmin | 1,5 mm |
| Fa max | 5400 N / Permissible axial load, for inner ring |