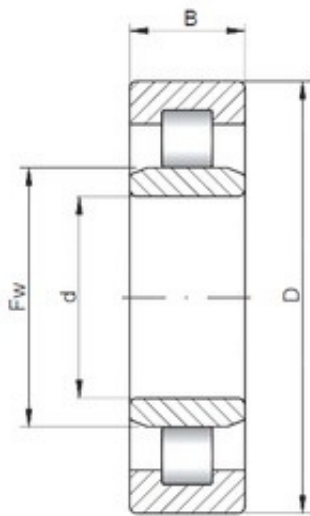


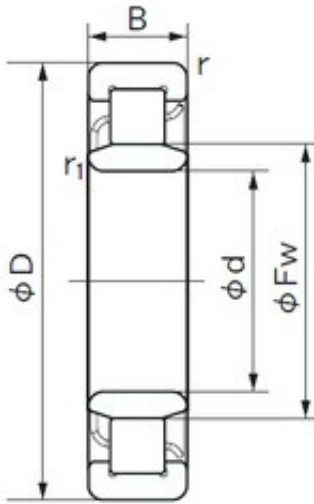
## Bearing No. NU202 E

Material	52100 Chrome steel, or equivalent
Size (mm)	15x35x11
Precision	RBEC 1
Width (B)	11.0000
Weight (g)	52.00
Width (mm)	11
Bearing Type	NU
Bore Dia (d)	15.0000
Outer Dia (D)	35.0000
Bearing number	NU202 E
Radius (min) (rs)	0.600
Bore Diameter (mm)	15
Standard Clearance	C0
Outer Diameter (mm)	35
Static Load Rating (Cor)	11,200
Dynamic Load Rating (Cr)	13,500
Max Speed (Oil) (X1000 RPM)	22
Max Speed (Grease) (X1000 RPM)	18
Max. Shaft Shoulder Dia. Inner (Li)	19.3
Min. Housing Shoulder Dia., Outer (Lo)	30.3



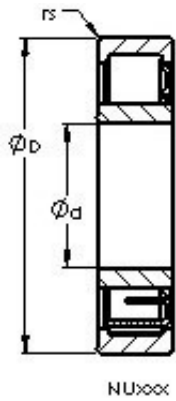
### Bearing No. NU203 E

d	17 mm
D	40 mm
B	12 mm
C	12 mm
Fw	22,1 mm
Weight	0,069 Kg
Size (mm)	17x40x12
Width (mm)	12
Bearing number	NU203 E
Bore Diameter (mm)	17
Outer Diameter (mm)	40
(Grease) Lubrication Speed	17000 r/min
Basic dynamic load rating (C)	17,6 kN
Basic static load rating (C0)	14,6 kN



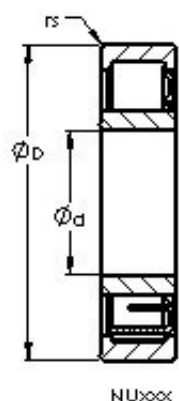
Bearing No. NU 204 E

d	20 mm
D	47 mm
B	14 mm
Fw	26.5 mm
r min.	1 mm
Weight	0.124 Kg
r1 min.	0.6 mm
Size (mm)	20x47x14
Width (mm)	14
Bearing number	NU 204 E
Bore Diameter (mm)	20
Outer Diameter (mm)	47
(Grease) Lubrication Speed	13000 r/min
Basic dynamic load rating (C)	25,7 kN
Basic static load rating (C0)	22,6 kN



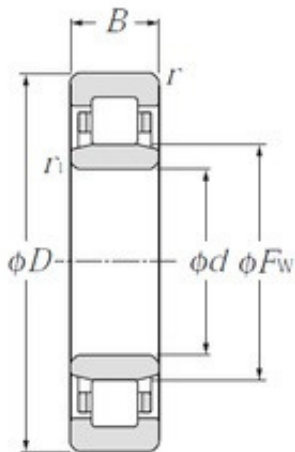
### Bearing No. NU206 E

Material	52100 Chrome steel, or equivalent
Size (mm)	30x62x16
Precision	RBEC 1
Width (B)	16.0000
Weight (g)	204.00
Width (mm)	16
Bearing Type	NU
Bore Dia (d)	30.0000
Outer Dia (D)	62.0000
Bearing number	NU206 E
Radius (min) (rs)	1.000
Bore Diameter (mm)	30
Standard Clearance	C0
Outer Diameter (mm)	62
Static Load Rating (Cor)	37,900
Dynamic Load Rating (Cr)	39,700
Max Speed (Oil) (X1000 RPM)	13
Max Speed (Grease) (X00 RPM)	10
Max. Shaft Shoulder Dia. Inner (Li)	37.5
Min. Housing Shoulder Dia., Outer (Lo)	55.5



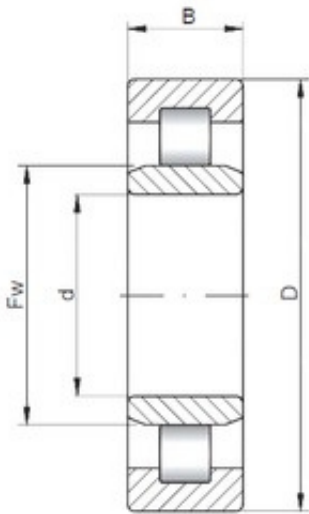
### Bearing No. NU207 E

Material	52100 Chrome steel, or equivalent
Size (mm)	35x72x17
Precision	RBEC 1
Width (B)	17.0000
Weight (g)	310.00
Width (mm)	17
Bearing Type	NU
Bore Dia (d)	35.0000
Outer Dia (D)	72.0000
Bearing number	NU207 E
Radius (min) (rs)	1.100
Bore Diameter (mm)	35
Standard Clearance	C0
Outer Diameter (mm)	72
Static Load Rating (Cor)	50,200
Dynamic Load Rating (Cr)	50,300
Max Speed (Oil) (X1000 RPM)	11
Max Speed (Grease) (X1000 RPM)	9
Max. Shaft Shoulder Dia. Inner (Li)	44.0
Min. Housing Shoulder Dia., Outer (Lo)	64.0



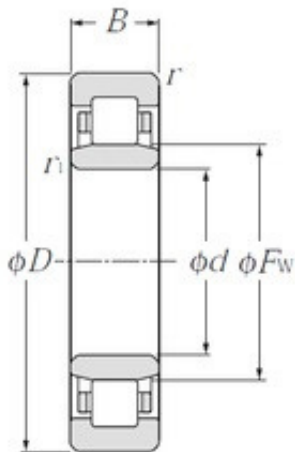
### Bearing No. NU208E

d	40 mm
D	80 mm
B	18 mm
C	18 mm
Fw	49,5 mm
Weight	0,426 Kg
r min.	1,1 mm
r1 min.	1,1 mm
Category	Bearings
Inventory	0.0
Size (mm)	40x80x18
Width (mm)	18
Product Group	B04144
Bearing number	NU208E
Manufacturer Name	NTN
Weight / Kilogram	0
Bore Diameter (mm)	40
Outer Diameter (mm)	80
Minimum Buy Quantity	N/A
(Grease) Lubrication Speed	8 500 r/min
Basic dynamic load rating (C)	55,5 kN
Basic static load rating (C0)	55,5 kN



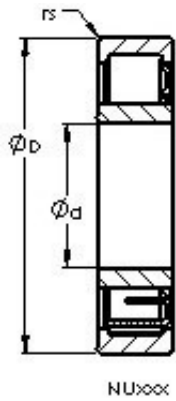
**Bearing No. NU209 E**

d	45 mm
D	85 mm
B	19 mm
C	19 mm
Fw	54,5 mm
Weight	0,439 Kg
Size (mm)	45x85x19
Width (mm)	19
Bearing number	NU209 E
Bore Diameter (mm)	45
Outer Diameter (mm)	85
(Grease) Lubrication Speed	7600 r/min
Basic dynamic load rating (C)	63,1 kN
Basic static load rating (C0)	66,4 kN



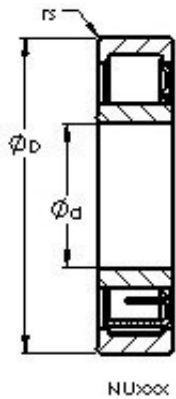
### Bearing No. NU210E

d	50 mm
D	90 mm
B	20 mm
C	20 mm
Fw	59,5 mm
Weight	0,505 Kg
Size (mm)	50x90x20
Width (mm)	20
Bearing number	NU210E
Bore Diameter (mm)	50
Outer Diameter (mm)	90
(Grease) Lubrication Speed	6000 r/min
Basic dynamic load rating (C)	69,2 kN
Basic static load rating (C0)	61,2 kN



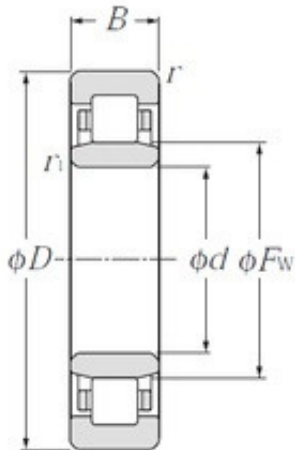
### Bearing No. NU211 E

Material	52100 Chrome steel, or equivalent
Size (mm)	55x100x21
Precision	RBEC 1
Width (B)	21.0000
Weight (g)	665.00
Width (mm)	21
Bearing Type	NU
Bore Dia (d)	55.0000
Outer Dia (D)	100.0000
Bearing number	NU211 E
Radius (min) (rs)	1.500
Bore Diameter (mm)	55
Standard Clearance	C0
Outer Diameter (mm)	100
Static Load Rating (Cor)	93,400
Dynamic Load Rating (Cr)	82,600
Max Speed (Oil) (X1000 RPM)	8
Max Speed (Grease) (X1000 RPM)	6
Max. Shaft Shoulder Dia. Inner (Li)	66.0
Min. Housing Shoulder Dia., Outer (Lo)	90.0



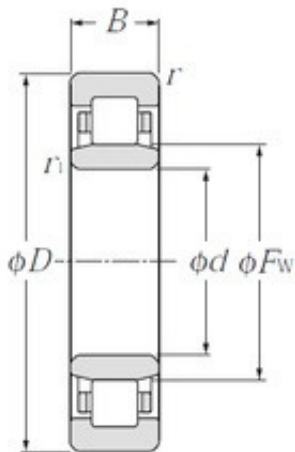
### Bearing No. NU212 E

Material	52100 Chrome steel, or equivalent
Size (mm)	60x110x22
Precision	RBEC 1
Width (B)	22.0000
Weight (g)	833.00
Width (mm)	22
Bearing Type	NU
Bore Dia (d)	60.0000
Outer Dia (D)	110.0000
Bearing number	NU212 E
Radius (min) (rs)	1.500
Bore Diameter (mm)	60
Standard Clearance	C0
Outer Diameter (mm)	110
Static Load Rating (Cor)	102,000
Dynamic Load Rating (Cr)	94,000
Max Speed (Oil) (X1000 RPM)	7
Max Speed (Grease) (X1000 RPM)	6
Max. Shaft Shoulder Dia. Inner (Li)	72.0
Min. Housing Shoulder Dia., Outer (Lo)	100.0



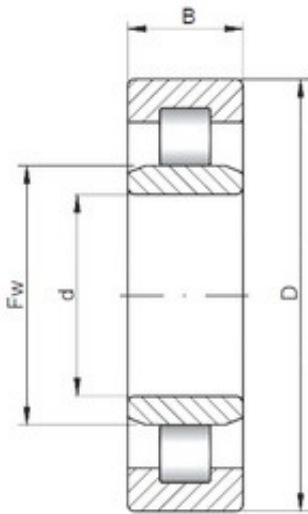
Bearing No. NU213E

d	65 mm
D	120 mm
B	23 mm
C	23 mm
Fw	78,5 mm
r min.	1,5 mm
Weight	1,21 Kg
r1 min.	1,5 mm
Size (mm)	65x120x23
Width (mm)	23
Bearing number	NU213E
Bore Diameter (mm)	65
Outer Diameter (mm)	120
(Grease) Lubrication Speed	5 400 r/min
Basic dynamic load rating (C)	108 kN
Basic static load rating (C0)	119 kN



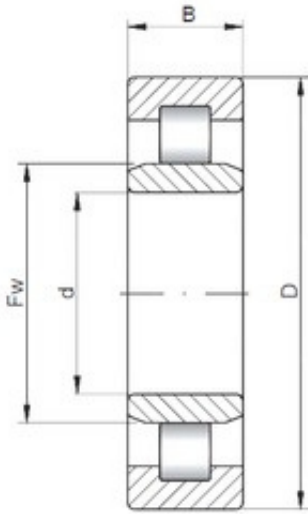
### Bearing No. NU214E

d	70 mm
D	125 mm
B	24 mm
C	24 mm
Fw	83,5 mm
Weight	1,3 Kg
r min.	1,5 mm
r1 min.	1,5 mm
Category	Bearings
Inventory	0.0
Size (mm)	70x125x24
Width (mm)	24
Product Group	B04144
Bearing number	NU214E
Manufacturer Name	NTN
Weight / Kilogram	0.356
Bore Diameter (mm)	70
Outer Diameter (mm)	125
Minimum Buy Quantity	N/A
(Grease) Lubrication Speed	5 000 r/min
Basic dynamic load rating (C)	119 kN
Basic static load rating (C0)	137 kN



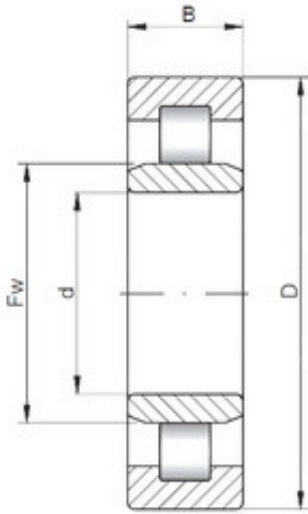
### Bearing No. NU303 E

d	17 mm
D	47 mm
B	14 mm
C	14 mm
Fw	24,2 mm
Weight	0,12 Kg
Size (mm)	17x47x14
Width (mm)	14
Bearing number	NU303 E
Bore Diameter (mm)	17
Outer Diameter (mm)	47
(Grease) Lubrication Speed	14000 r/min
Basic dynamic load rating (C)	25,5 kN
Basic static load rating (C0)	21,2 kN



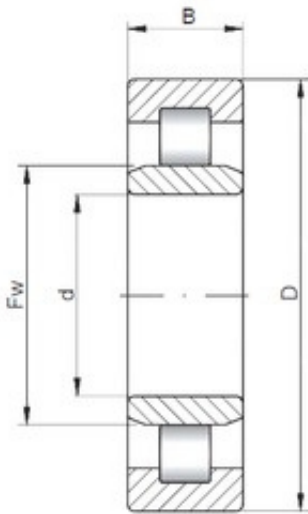
### Bearing No. NU304 E

d	20 mm
D	52 mm
B	15 mm
C	15 mm
Fw	27,5 mm
Weight	0,153 Kg
Size (mm)	20x52x15
Width (mm)	15
Bearing number	NU304 E
Bore Diameter (mm)	20
Outer Diameter (mm)	52
(Grease) Lubrication Speed	12000 r/min
Basic dynamic load rating (C)	31,5 kN
Basic static load rating (C0)	26,9 kN



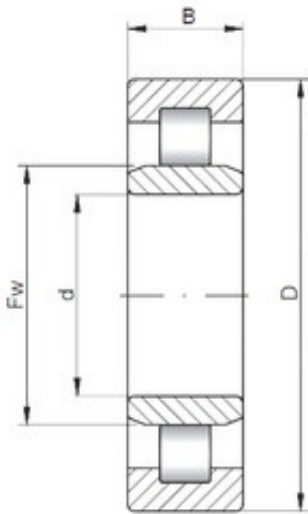
### Bearing No. NU305 E

d	25 mm
D	62 mm
B	17 mm
C	17 mm
Fw	34 mm
Weight	0,243 Kg
Size (mm)	25x62x17
Width (mm)	17
Bearing number	NU305 E
Bore Diameter (mm)	25
Outer Diameter (mm)	62
(Grease) Lubrication Speed	10000 r/min
Basic dynamic load rating (C)	41,6 kN
Basic static load rating (C0)	37,4 kN



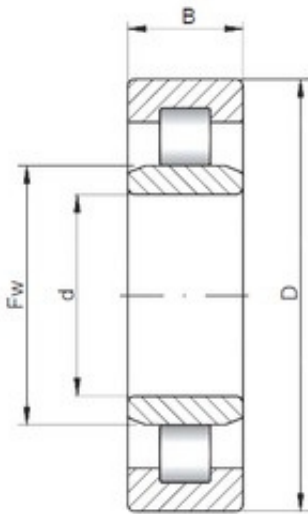
### Bearing No. NU306 E

d	30 mm
D	72 mm
B	19 mm
C	19 mm
Fw	40,5 mm
Weight	0,361 Kg
Size (mm)	30x72x19
Width (mm)	19
Bearing number	NU306 E
Bore Diameter (mm)	30
Outer Diameter (mm)	72
(Grease) Lubrication Speed	8700 r/min
Basic dynamic load rating (C)	53,1 kN
Basic static load rating (C0)	50,2 kN



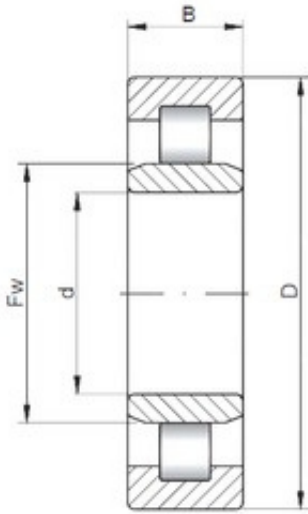
### Bearing No. NU307 E

d	35 mm
D	80 mm
B	21 mm
C	21 mm
Fw	46,2 mm
Weight	0,482 Kg
Size (mm)	35x80x21
Width (mm)	21
Bearing number	NU307 E
Bore Diameter (mm)	35
Outer Diameter (mm)	80
(Grease) Lubrication Speed	7700 r/min
Basic dynamic load rating (C)	66,6 kN
Basic static load rating (C0)	65,4 kN



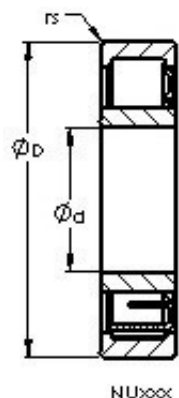
## Bearing No. NU308 E

d	40 mm
D	90 mm
B	23 mm
C	23 mm
Fw	52 mm
Weight	0,664 Kg
Size (mm)	40x90x23
Width (mm)	23
Bearing number	NU308 E
Bore Diameter (mm)	40
Outer Diameter (mm)	90
(Grease) Lubrication Speed	6800 r/min
Basic dynamic load rating (C)	83,1 kN
Basic static load rating (C0)	81,5 kN



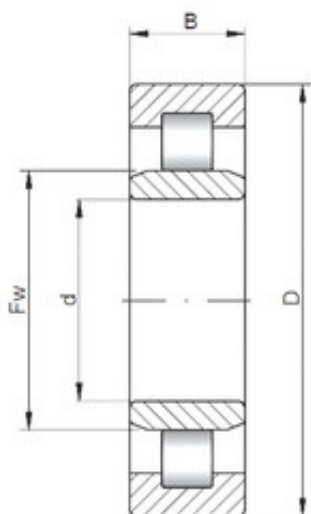
### Bearing No. NU309 E

d	45 mm
D	100 mm
B	25 mm
C	25 mm
Fw	58,5 mm
Weight	0,909 Kg
Size (mm)	45x100x25
Width (mm)	25
Bearing number	NU309 E
Bore Diameter (mm)	45
Outer Diameter (mm)	100
(Grease) Lubrication Speed	6100 r/min
Basic dynamic load rating (C)	97,4 kN
Basic static load rating (C0)	98,3 kN



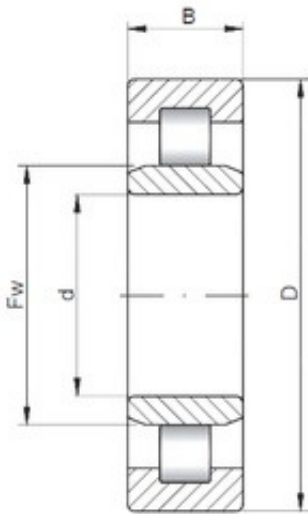
### Bearing No. NU310 E

Material	52100 Chrome steel, or equivalent
Size (mm)	50x110x27
Precision	RBEC 1
Width (B)	27.0000
Weight (g)	1,157.00
Width (mm)	27
Bearing Type	NU
Bore Dia (d)	50.0000
Outer Dia (D)	110.0000
Bearing number	NU310 E
Radius (min) (rs)	2.000
Bore Diameter (mm)	50
Standard Clearance	C0
Outer Diameter (mm)	110
Static Load Rating (Cor)	112,000
Dynamic Load Rating (Cr)	110,000
Max Speed (Oil) (X1000 RPM)	7
Max Speed (Grease) (X1000 RPM)	6
Max. Shaft Shoulder Dia. Inner (Li)	65.0
Min. Housing Shoulder Dia., Outer (Lo)	97.0



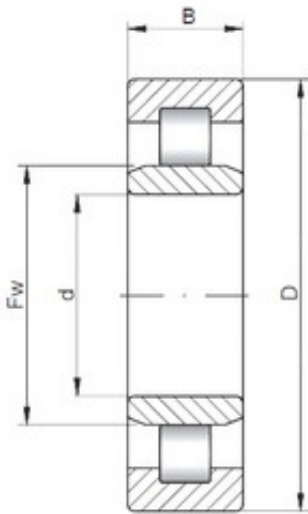
### Bearing No. NU311 E

d	55 mm
D	120 mm
B	29 mm
C	29 mm
Fw	70,5 mm
Weight	1,5 Kg
Size (mm)	55x120x29
Width (mm)	29
Bearing number	NU311 E
Bore Diameter (mm)	55
Outer Diameter (mm)	120
(Grease) Lubrication Speed	5100 r/min
Basic dynamic load rating (C)	137 kN
Basic static load rating (C0)	143 kN



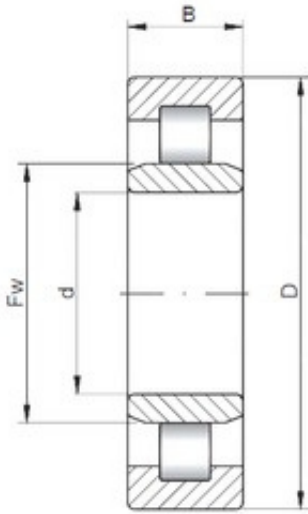
### Bearing No. NU312 E

d	60 mm
D	130 mm
B	31 mm
C	31 mm
Fw	77 mm
Weight	1,87 Kg
Size (mm)	60x130x31
Width (mm)	31
Bearing number	NU312 E
Bore Diameter (mm)	60
Outer Diameter (mm)	130
(Grease) Lubrication Speed	4600 r/min
Basic dynamic load rating (C)	150 kN
Basic static load rating (C0)	157 kN



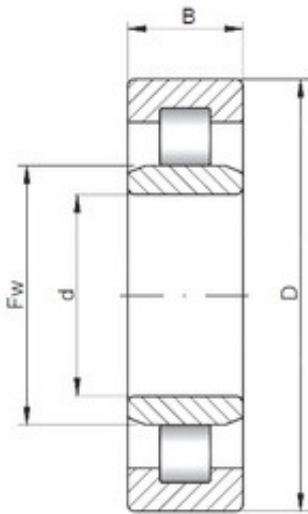
### Bearing No. NU313 E

d	65 mm
D	140 mm
B	33 mm
C	33 mm
Fw	82,5 mm
Weight	2,31 Kg
Size (mm)	65x140x33
Width (mm)	33
Bearing number	NU313 E
Bore Diameter (mm)	65
Outer Diameter (mm)	140
(Grease) Lubrication Speed	4300 r/min
Basic dynamic load rating (C)	181 kN
Basic static load rating (C0)	191 kN



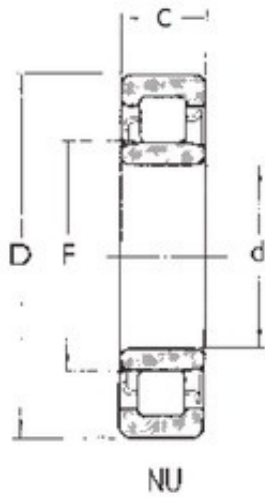
### Bearing No. NU314 E

d	70 mm
D	150 mm
B	35 mm
C	35 mm
Fw	89 mm
Weight	2,81 Kg
Size (mm)	70x150x35
Width (mm)	35
Bearing number	NU314 E
Bore Diameter (mm)	70
Outer Diameter (mm)	150
(Grease) Lubrication Speed	4000 r/min
Basic dynamic load rating (C)	205 kN
Basic static load rating (C0)	222 kN



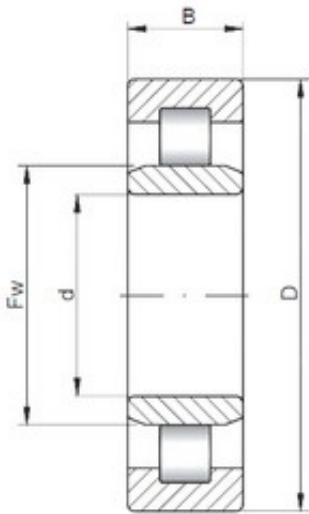
### Bearing No. NU315 E

d	75 mm
D	160 mm
B	37 mm
C	37 mm
Fw	95 mm
Weight	3,37 Kg
Size (mm)	75x160x37
Width (mm)	37
Bearing number	NU315 E
Bore Diameter (mm)	75
Outer Diameter (mm)	160
(Grease) Lubrication Speed	3700 r/min
Basic dynamic load rating (C)	240 kN
Basic static load rating (C0)	263 kN



### Bearing No. NU406

F	45 mm
d	30 mm
D	90 mm
B	23 mm
C	23 mm
Weight	0,757 Kg
Size (mm)	30x90x23
Width (mm)	23
Bearing number	NU406
Bore Diameter (mm)	30
Outer Diameter (mm)	90
(Grease) Lubrication Speed	7500 r/min
Basic dynamic load rating (C)	62,5 kN
Basic static load rating (C0)	55 kN



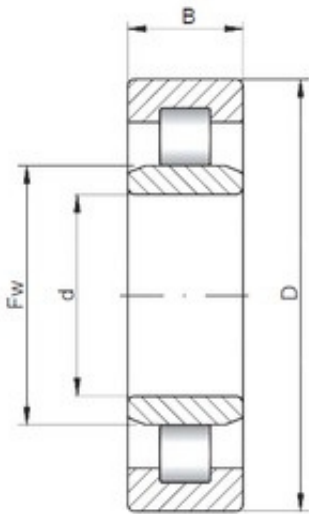
### Bearing No. NU407

d	35 mm
D	100 mm
B	25 mm
C	25 mm
Fw	53 mm
Weight	1,02 Kg
Size (mm)	35x100x25
Width (mm)	25
Bearing number	NU407
Bore Diameter (mm)	35
Outer Diameter (mm)	100
(Grease) Lubrication Speed	6600 r/min
Basic dynamic load rating (C)	75,2 kN
Basic static load rating (C0)	68,9 kN



### Bearing No. NU408

D	110 mm
d	40 mm
B	27 mm
C	27 mm
Size (mm)	40x110x27
Width (mm)	27
Bearing number	NU408
Bore Diameter (mm)	40
Outer Diameter (mm)	110



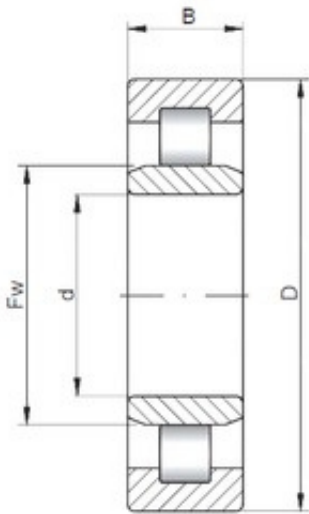
### Bearing No. NU409

d	45 mm
D	120 mm
B	29 mm
C	29 mm
Fw	64,5 mm
Weight	1,64 Kg
Size (mm)	45x120x29
Width (mm)	29
Bearing number	NU409
Bore Diameter (mm)	45
Outer Diameter (mm)	120
(Grease) Lubrication Speed	5400 r/min
Basic dynamic load rating (C)	115 kN
Basic static load rating (C0)	112 kN



## Bearing No. NU410

D	130 mm
d	50 mm
B	31 mm
C	31 mm
Size (mm)	50x130x31
Width (mm)	31
Bearing number	NU410
Bore Diameter (mm)	50
Outer Diameter (mm)	130



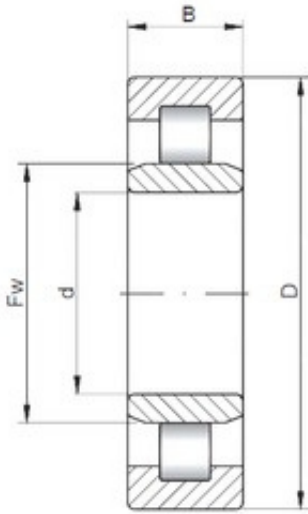
### Bearing No. NU411

d	55 mm
D	140 mm
B	33 mm
C	33 mm
Fw	77,2 mm
Weight	2,51 Kg
Size (mm)	55x140x33
Width (mm)	33
Bearing number	NU411
Bore Diameter (mm)	55
Outer Diameter (mm)	140
(Grease) Lubrication Speed	4600 r/min
Basic dynamic load rating (C)	142 kN
Basic static load rating (C0)	138 kN



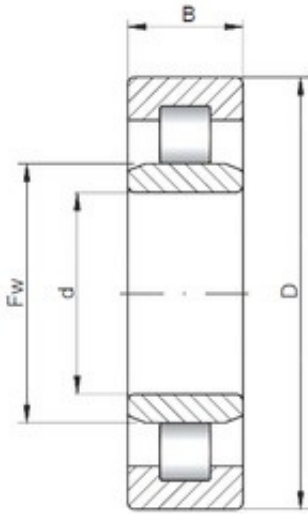
### Bearing No. NU412

D	150 mm
d	60 mm
B	35 mm
C	35 mm
Size (mm)	60x150x35
Width (mm)	35
Bearing number	NU412
Bore Diameter (mm)	60
Outer Diameter (mm)	150



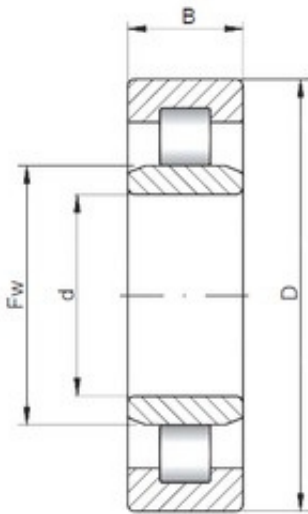
### Bearing No. NU413

d	65 mm
D	160 mm
B	37 mm
C	37 mm
Fw	89,3 mm
Weight	3,58 Kg
Size (mm)	65x160x37
Width (mm)	37
Bearing number	NU413
Bore Diameter (mm)	65
Outer Diameter (mm)	160
(Grease) Lubrication Speed	4000 r/min
Basic dynamic load rating (C)	198 kN
Basic static load rating (C0)	203 kN



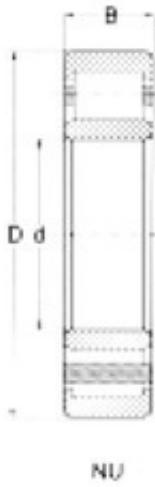
### Bearing No. NU414

d	70 mm
D	180 mm
B	42 mm
C	42 mm
Fw	100 mm
Weight	5,26 Kg
Size (mm)	70x180x42
Width (mm)	42
Bearing number	NU414
Bore Diameter (mm)	70
Outer Diameter (mm)	180
(Grease) Lubrication Speed	3500 r/min
Basic dynamic load rating (C)	246 kN
Basic static load rating (C0)	257 kN



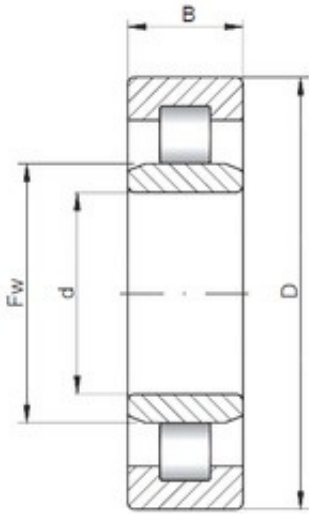
### Bearing No. NU415

d	75 mm
D	190 mm
B	45 mm
C	45 mm
Fw	104,5 mm
Weight	6,25 Kg
Size (mm)	75x190x45
Width (mm)	45
Bearing number	NU415
Bore Diameter (mm)	75
Outer Diameter (mm)	190
(Grease) Lubrication Speed	3300 r/min
Basic dynamic load rating (C)	265 kN
Basic static load rating (C0)	274 kN



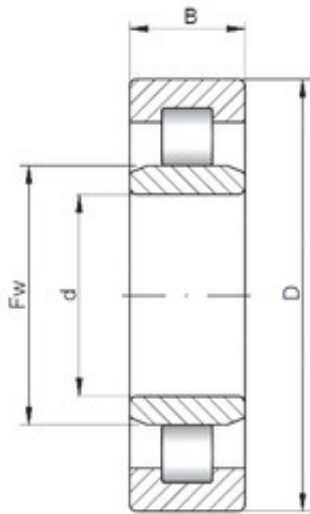
### Bearing No. NU416

D	200 mm
d	80 mm
B	48 mm
C	48 mm
Size (mm)	80x200x48
Width (mm)	48
Bearing number	NU416
Bore Diameter (mm)	80
Outer Diameter (mm)	200



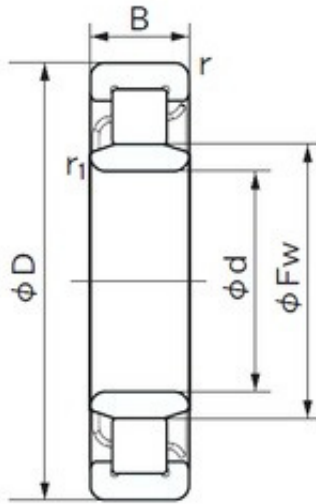
### Bearing No. NU417

d	85 mm
D	210 mm
B	52 mm
C	52 mm
Fw	113 mm
Weight	8,68 Kg
Size (mm)	85x210x52
Width (mm)	52
Bearing number	NU417
Bore Diameter (mm)	85
Outer Diameter (mm)	210
(Grease) Lubrication Speed	3000 r/min
Basic dynamic load rating (C)	340 kN
Basic static load rating (C0)	350 kN



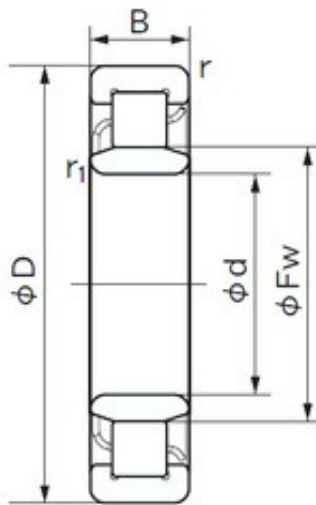
### Bearing No. NU418

d	90 mm
D	225 mm
B	54 mm
C	54 mm
Fw	123,5 mm
Weight	10,3 Kg
Size (mm)	90x225x54
Width (mm)	54
Bearing number	NU418
Bore Diameter (mm)	90
Outer Diameter (mm)	225
(Grease) Lubrication Speed	2800 r/min
Basic dynamic load rating (C)	374 kN
Basic static load rating (C0)	400 kN



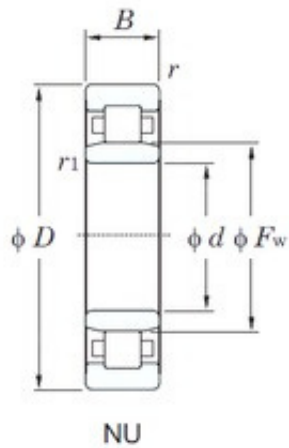
**Bearing No. NU 1005**

d	25 mm
D	47 mm
B	12 mm
Fw	30.5 mm
r min.	0.6 mm
Weight	0.086 Kg
r1 min.	0.3 mm
Size (mm)	25x47x12
Width (mm)	12
Bearing number	NU 1005
Bore Diameter (mm)	25
Outer Diameter (mm)	47
(Grease) Lubrication Speed	15000 r/min
Basic dynamic load rating (C)	14,3 kN
Basic static load rating (C0)	13,1 kN



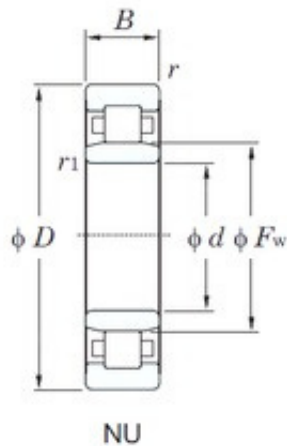
**Bearing No. NU 1006**

d	30 mm
D	55 mm
B	13 mm
Fw	36.5 mm
r min.	1 mm
Weight	0.123 Kg
r1 min.	0.6 mm
Size (mm)	30x55x13
Width (mm)	13
Bearing number	NU 1006
Bore Diameter (mm)	30
Outer Diameter (mm)	55
(Grease) Lubrication Speed	12000 r/min
Basic dynamic load rating (C)	18,7 kN
Basic static load rating (C0)	18,4 kN



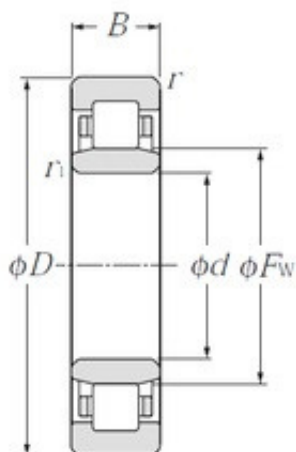
Bearing No. NU1007

C	14 mm
d	35 mm
D	62 mm
B	14 mm
B2	-
Cu	2.65
Ew	-
d1	-
B1	-
Cr	28.3
Fw	42 mm
C0r	23.2
r min.	1 mm
Weight	0.182 Kg
r(min)	1
da(min)	-
db(min)	39
db(max)	41
dc(min)	-
r1(min)	0.6
dd(min)	-
Da(max)	57
Db(max)	-
Db(min)	-
r1 min.	0.6 mm
ra(max)	1
rb(max)	0.5
Oil lub.	13000
Size (mm)	35x62x14
Width (mm)	14



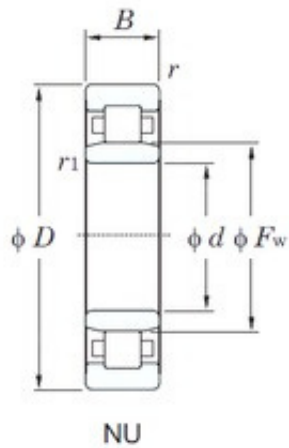
Bearing No. NU1008

C	15 mm
d	40 mm
D	68 mm
B	15 mm
B2	-
Cu	3.10
Ew	-
d1	-
B1	-
Cr	31.2
Fw	47 mm
C0r	25.7
r min.	1 mm
Weight	0.223 Kg
r(min)	1
da(min)	-
db(min)	44
db(max)	46
dc(min)	-
r1(min)	0.6
dd(min)	-
Da(max)	63
Db(max)	-
Db(min)	-
r1 min.	0.6 mm
ra(max)	1
rb(max)	0.6
Oil lub.	12000
Size (mm)	40x68x15
Width (mm)	15



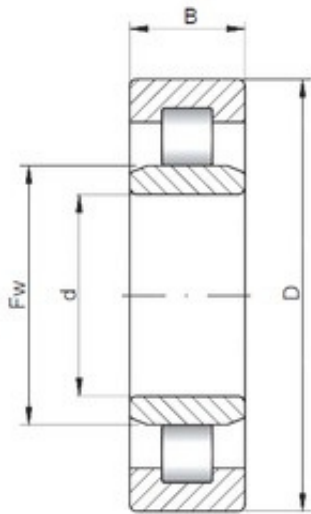
## Bearing No. NU1009

d	45 mm
D	75 mm
B	16 mm
C	16 mm
Fw	52,5 mm
Weight	0,26 Kg
Size (mm)	45x75x16
Width (mm)	16
Bearing number	NU1009
Bore Diameter (mm)	45
Outer Diameter (mm)	75
(Grease) Lubrication Speed	6500 r/min
Basic dynamic load rating (C)	23,8 kN
Basic static load rating (C0)	23,2 kN



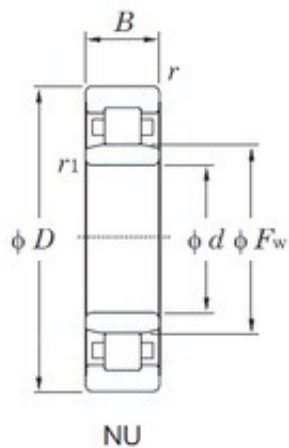
## Bearing No. NU1010

C	16 mm
d	50 mm
D	80 mm
B	16 mm
B2	-
Cu	4.80
Ew	-
d1	-
B1	-
Cr	42.2
Fw	57.5 mm
C0r	36.8
r min.	1 mm
Weight	0.306 Kg
r(min)	1
da(min)	-
db(min)	54
db(max)	57
dc(min)	-
r1(min)	0.6
dd(min)	-
Da(max)	75
Db(max)	-
Db(min)	-
r1 min.	0.6 mm
ra(max)	1
rb(max)	0.6
Oil lub.	9900
Size (mm)	50x80x16
Width (mm)	16



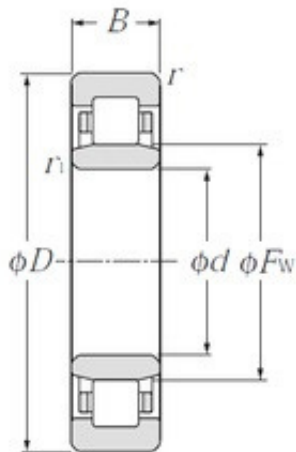
### Bearing No. NU1011

d	55 mm
D	90 mm
B	18 mm
C	18 mm
Fw	64,5 mm
Weight	0,445 Kg
Size (mm)	55x90x18
Width (mm)	18
Bearing number	NU1011
Bore Diameter (mm)	55
Outer Diameter (mm)	90
(Grease) Lubrication Speed	7600 r/min
Basic dynamic load rating (C)	37,4 kN
Basic static load rating (C0)	43,8 kN



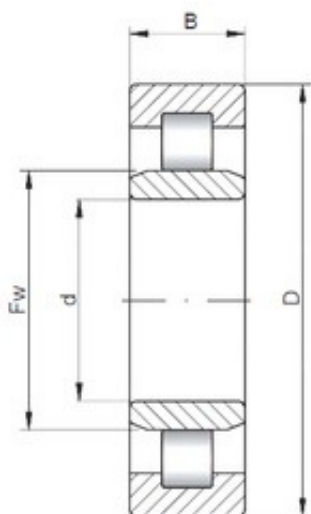
Bearing No. NU1012

C	18 mm
d	60 mm
D	95 mm
B	18 mm
B2	-
Cu	6.75
Ew	-
d1	-
B1	-
Cr	53.0
Fw	69.5 mm
C0r	50.0
r min.	1.1 mm
Weight	0.477 Kg
r(min)	1.1
da(min)	-
db(min)	65
db(max)	68
dc(min)	-
r1(min)	1
dd(min)	-
Da(max)	88.5
Db(max)	-
Db(min)	-
r1 min.	1 mm
ra(max)	1
rb(max)	1
Oil lub.	8300
Size (mm)	60x95x18
Width (mm)	18



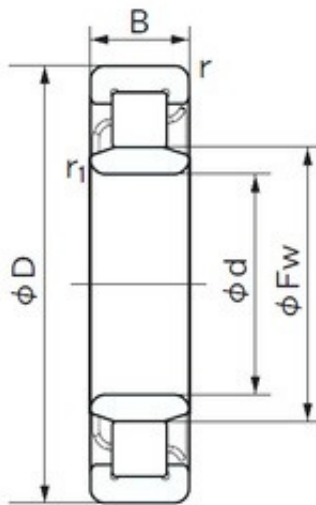
### Bearing No. NU1013

F	74.5 mm
E	90.5 mm
d	65 mm
D	100 mm
B	18 mm
C	18 mm
Fw	74,5 mm
db min	76 mm
Da max	93.5 mm
ra max	1 mm
rs min	1.1 mm
da max	73 mm
da min	70 mm
Weight	0,485 Kg
r min.	1,1 mm
r1 min.	1 mm
r1s min	1 mm
r1a max	1 mm
flanges:	(2) Outer Ring
Category	Roller Bearings
Inventory	1.0
Size (mm)	65x100x18
Width (mm)	18
Nlim (oil)	8,200 rpm
bore type:	Straight
maximum rpm:	8200 rpm
Product Group	B04144
closure type:	Open
Nlim (grease)	7,000 rpm
fillet radius:	1 mm



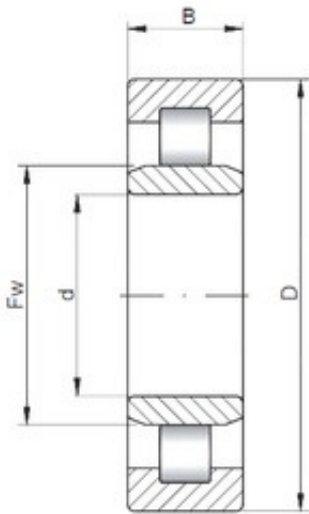
### Bearing No. NU1014

d	70 mm
D	110 mm
B	20 mm
C	20 mm
Fw	80 mm
Weight	0,702 Kg
Size (mm)	70x110x20
Width (mm)	20
Bearing number	NU1014
Bore Diameter (mm)	70
Outer Diameter (mm)	110
(Grease) Lubrication Speed	6100 r/min
Basic dynamic load rating (C)	57,9 kN
Basic static load rating (C0)	70,4 kN



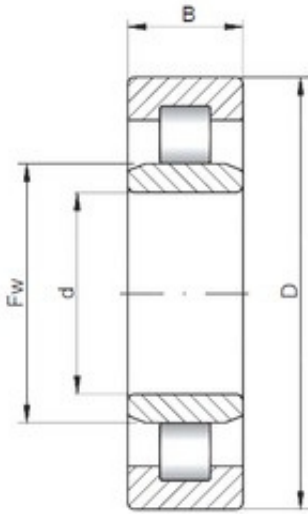
**Bearing No. NU 1015**

d	75 mm
D	115 mm
B	20 mm
Fw	85 mm
r min.	1.1 mm
Weight	0.745 Kg
r1 min.	1 mm
Size (mm)	75x115x20
Width (mm)	20
Bearing number	NU 1015
Bore Diameter (mm)	75
Outer Diameter (mm)	115
(Grease) Lubrication Speed	5600 r/min
Basic dynamic load rating (C)	57,5 kN
Basic static load rating (C0)	71 kN



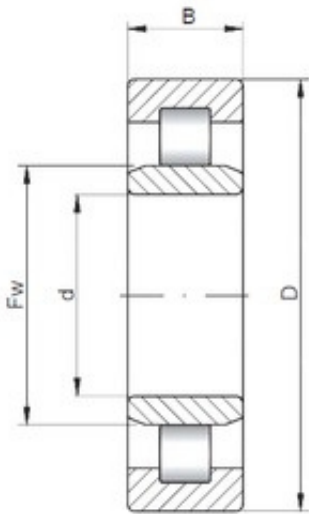
### Bearing No. NU1016

d	80 mm
D	125 mm
B	22 mm
C	22 mm
Fw	91,5 mm
Weight	0,994 Kg
Size (mm)	80x125x22
Width (mm)	22
Bearing number	NU1016
Bore Diameter (mm)	80
Outer Diameter (mm)	125
(Grease) Lubrication Speed	5300 r/min
Basic dynamic load rating (C)	69,3 kN
Basic static load rating (C0)	86,4 kN



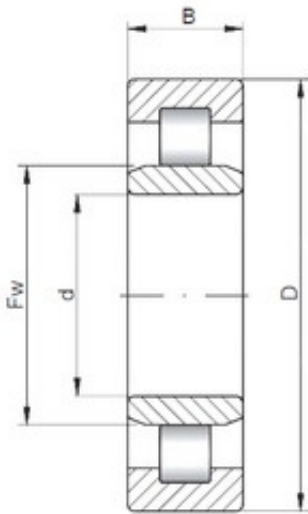
### Bearing No. NU1017

d	85 mm
D	130 mm
B	22 mm
C	22 mm
Fw	96,5 mm
Weight	1,04 Kg
Size (mm)	85x130x22
Width (mm)	22
Bearing number	NU1017
Bore Diameter (mm)	85
Outer Diameter (mm)	130
(Grease) Lubrication Speed	5100 r/min
Basic dynamic load rating (C)	71,4 kN
Basic static load rating (C0)	91,2 kN



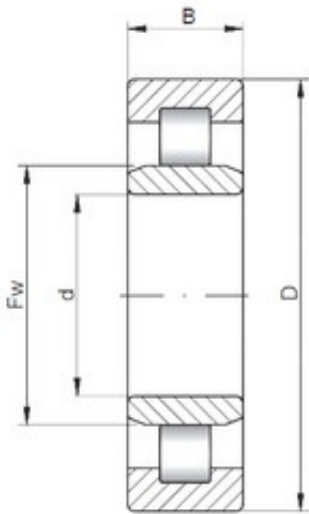
### Bearing No. NU2203 E

d	17 mm
D	40 mm
B	16 mm
C	16 mm
Fw	22,1 mm
Weight	0,092 Kg
Size (mm)	17x40x16
Width (mm)	16
Bearing number	NU2203 E
Bore Diameter (mm)	17
Outer Diameter (mm)	40
(Grease) Lubrication Speed	16000 r/min
Basic dynamic load rating (C)	24 kN
Basic static load rating (C0)	22 kN



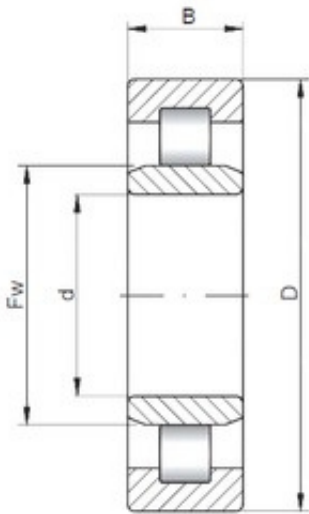
### Bearing No. NU2204 E

d	20 mm
D	47 mm
B	18 mm
C	18 mm
Fw	26,5 mm
Weight	0,146 Kg
Size (mm)	20x47x18
Width (mm)	18
Bearing number	NU2204 E
Bore Diameter (mm)	20
Outer Diameter (mm)	47
(Grease) Lubrication Speed	13000 r/min
Basic dynamic load rating (C)	30,6 kN
Basic static load rating (C0)	28,3 kN



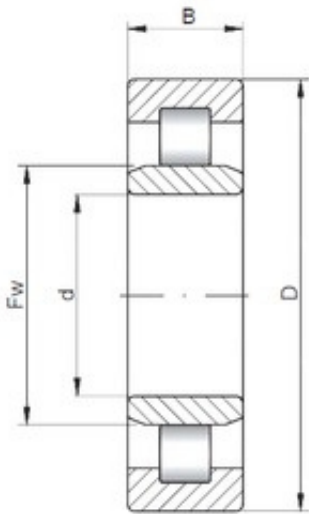
### Bearing No. NU2205 E

d	25 mm
D	52 mm
B	18 mm
C	18 mm
Fw	31,5 mm
Weight	0,166 Kg
Size (mm)	25x52x18
Width (mm)	18
Bearing number	NU2205 E
Bore Diameter (mm)	25
Outer Diameter (mm)	52
(Grease) Lubrication Speed	12000 r/min
Basic dynamic load rating (C)	34,9 kN
Basic static load rating (C0)	34,6 kN



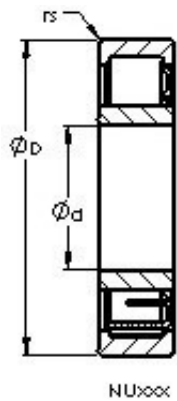
### Bearing No. NU2206 E

d	30 mm
D	62 mm
B	20 mm
C	20 mm
Fw	37,5 mm
Weight	0,262 Kg
Size (mm)	30x62x20
Width (mm)	20
Bearing number	NU2206 E
Bore Diameter (mm)	30
Outer Diameter (mm)	62
(Grease) Lubrication Speed	9700 r/min
Basic dynamic load rating (C)	48,9 kN
Basic static load rating (C0)	49,8 kN



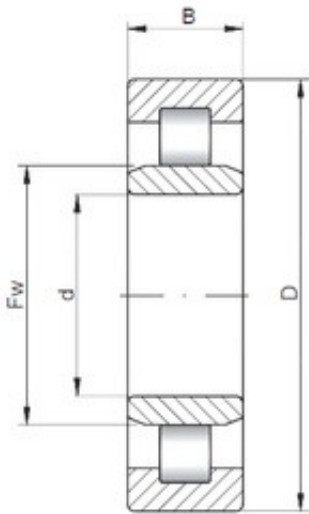
### Bearing No. NU2207 E

d	35 mm
D	72 mm
B	23 mm
C	23 mm
Fw	44 mm
Weight	0,404 Kg
Size (mm)	35x72x23
Width (mm)	23
Bearing number	NU2207 E
Bore Diameter (mm)	35
Outer Diameter (mm)	72
(Grease) Lubrication Speed	8300 r/min
Basic dynamic load rating (C)	61,6 kN
Basic static load rating (C0)	65,3 kN



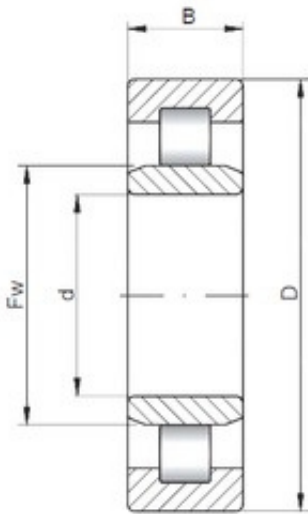
### Bearing No. NU2208 E

Material	52100 Chrome steel, or equivalent
Size (mm)	40x80x23
Precision	RBEC 1
Width (B)	23.0000
Weight (g)	501.00
Width (mm)	23
Bearing Type	NU
Bore Dia (d)	40.0000
Outer Dia (D)	80.0000
Bearing number	NU2208 E
Radius (min) (rs)	1.100
Bore Diameter (mm)	40
Standard Clearance	C0
Outer Diameter (mm)	80
Static Load Rating (Cor)	74,800
Dynamic Load Rating (Cr)	70,300
Max Speed (Oil) (X1000 RPM)	9
Max Speed (Grease) (X1000 RPM)	8
Max. Shaft Shoulder Dia. Inner (Li)	49.5
Min. Housing Shoulder Dia., Outer (Lo)	71.5



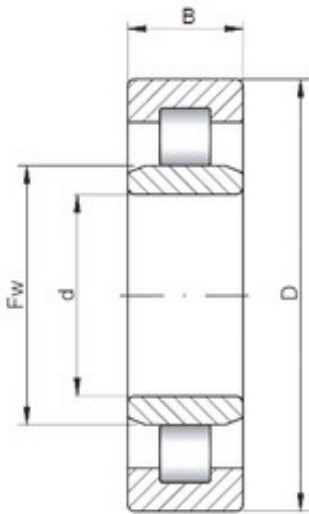
### Bearing No. NU2209 E

d	45 mm
D	85 mm
B	23 mm
C	23 mm
Fw	54,5 mm
Weight	0,536 Kg
Size (mm)	45x85x23
Width (mm)	23
Bearing number	NU2209 E
Bore Diameter (mm)	45
Outer Diameter (mm)	85
(Grease) Lubrication Speed	6900 r/min
Basic dynamic load rating (C)	76,1 kN
Basic static load rating (C0)	84,6 kN



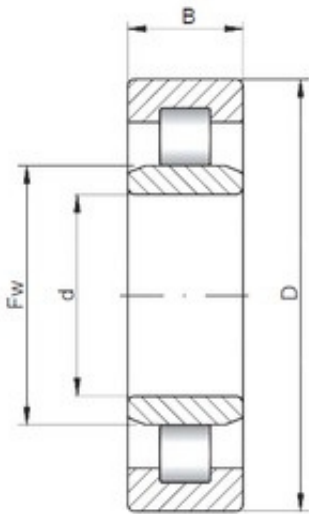
### Bearing No. NU2210 E

d	50 mm
D	90 mm
B	23 mm
C	23 mm
Fw	59,5 mm
Weight	0,58 Kg
Size (mm)	50x90x23
Width (mm)	23
Bearing number	NU2210 E
Bore Diameter (mm)	50
Outer Diameter (mm)	90
(Grease) Lubrication Speed	6400 r/min
Basic dynamic load rating (C)	79,7 kN
Basic static load rating (C0)	91,5 kN



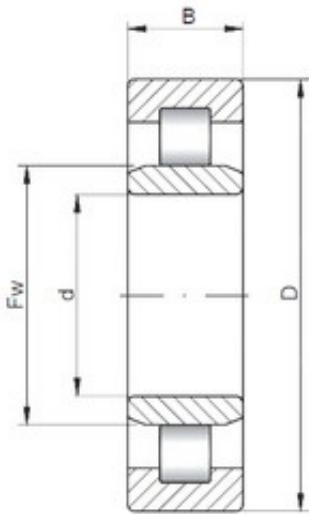
### Bearing No. NU2211 E

d	55 mm
D	100 mm
B	25 mm
C	25 mm
Fw	66 mm
Weight	0,806 Kg
Size (mm)	55x100x25
Width (mm)	25
Bearing number	NU2211 E
Bore Diameter (mm)	55
Outer Diameter (mm)	100
(Grease) Lubrication Speed	5800 r/min
Basic dynamic load rating (C)	101 kN
Basic static load rating (C0)	122 kN



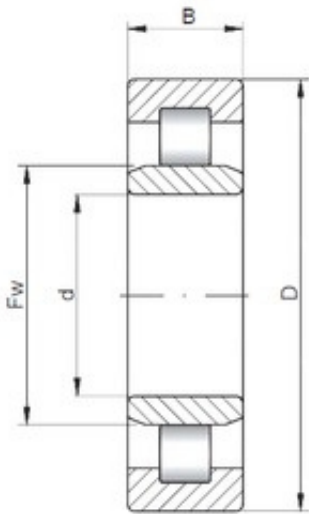
### Bearing No. NU2212 E

d	60 mm
D	110 mm
B	28 mm
C	28 mm
Fw	72 mm
Weight	1,09 Kg
Size (mm)	60x110x28
Width (mm)	28
Bearing number	NU2212 E
Bore Diameter (mm)	60
Outer Diameter (mm)	110
(Grease) Lubrication Speed	5200 r/min
Basic dynamic load rating (C)	131 kN
Basic static load rating (C0)	157 kN



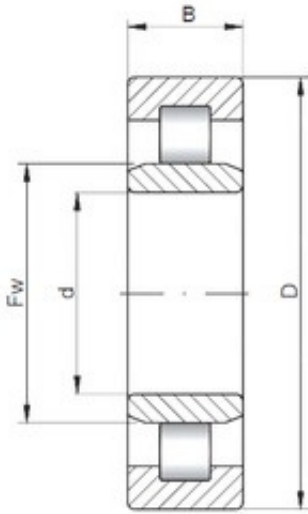
### Bearing No. NU2213 E

d	65 mm
D	120 mm
B	31 mm
C	31 mm
Fw	78,5 mm
Weight	1,45 Kg
Size (mm)	65x120x31
Width (mm)	31
Bearing number	NU2213 E
Bore Diameter (mm)	65
Outer Diameter (mm)	120
(Grease) Lubrication Speed	4800 r/min
Basic dynamic load rating (C)	149 kN
Basic static load rating (C0)	181 kN



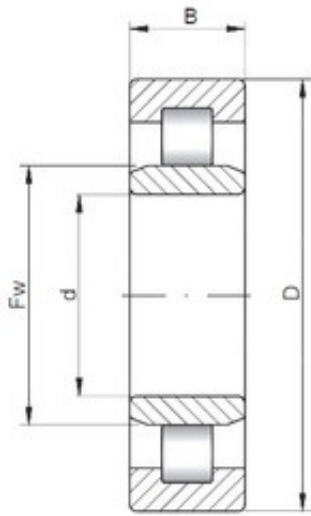
### Bearing No. NU2214 E

d	70 mm
D	125 mm
B	31 mm
C	31 mm
Fw	83,5 mm
Weight	1,53 Kg
Size (mm)	70x125x31
Width (mm)	31
Bearing number	NU2214 E
Bore Diameter (mm)	70
Outer Diameter (mm)	125
(Grease) Lubrication Speed	4500 r/min
Basic dynamic load rating (C)	156 kN
Basic static load rating (C0)	194 kN



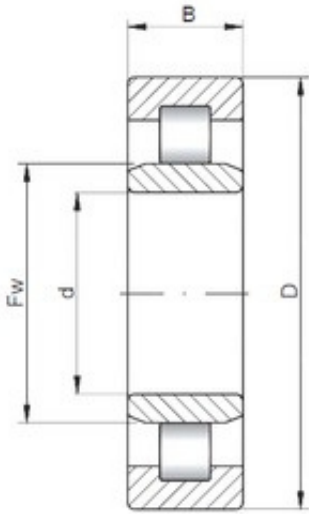
### Bearing No. NU2215 E

d	75 mm
D	130 mm
B	31 mm
C	31 mm
Fw	88,5 mm
Weight	1,61 Kg
Size (mm)	75x130x31
Width (mm)	31
Bearing number	NU2215 E
Bore Diameter (mm)	75
Outer Diameter (mm)	130
(Grease) Lubrication Speed	4300 r/min
Basic dynamic load rating (C)	162 kN
Basic static load rating (C0)	207 kN



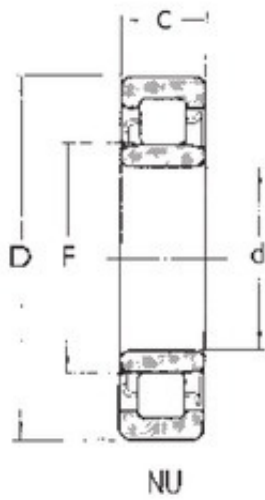
### Bearing No. NU2304

D	52 mm
d	20 mm
B	21 mm
C	21 mm
Size (mm)	20x52x21
Width (mm)	21
Bearing number	NU2304
Bore Diameter (mm)	20
Outer Diameter (mm)	52



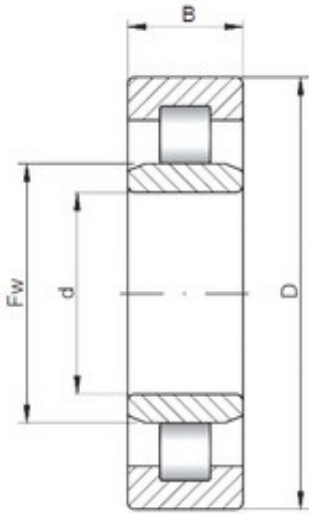
## Bearing No. NU2305

D	62 mm
d	25 mm
B	24 mm
C	24 mm
Size (mm)	25x62x24
Width (mm)	24
Bearing number	NU2305
Bore Diameter (mm)	25
Outer Diameter (mm)	62



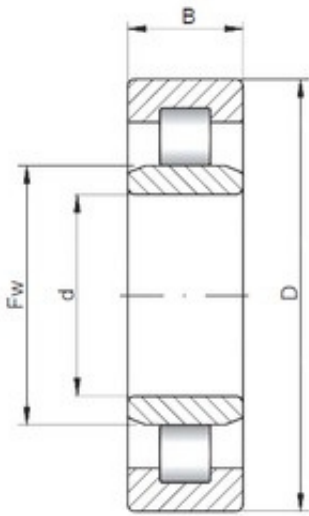
### Bearing No. NU2306

F	42 mm
d	30 mm
D	72 mm
B	27 mm
C	27 mm
Weight	0,514 Kg
Size (mm)	30x72x27
Width (mm)	27
Bearing number	NU2306
Bore Diameter (mm)	30
Outer Diameter (mm)	72
(Grease) Lubrication Speed	7500 r/min
Basic dynamic load rating (C)	51,5 kN
Basic static load rating (C0)	51 kN



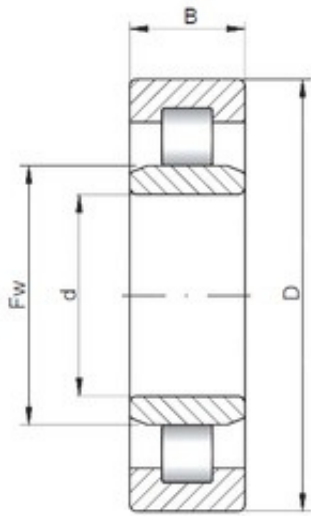
## Bearing No. NU2307

D	80 mm
d	35 mm
B	31 mm
C	31 mm
Size (mm)	35x80x31
Width (mm)	31
Bearing number	NU2307
Bore Diameter (mm)	35
Outer Diameter (mm)	80



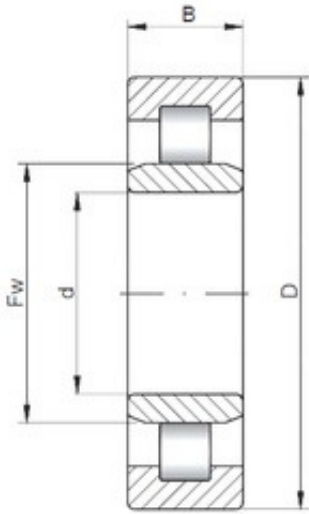
### Bearing No. NU2308

D	90 mm
d	40 mm
B	33 mm
C	33 mm
Size (mm)	40x90x33
Width (mm)	33
Bearing number	NU2308
Bore Diameter (mm)	40
Outer Diameter (mm)	90



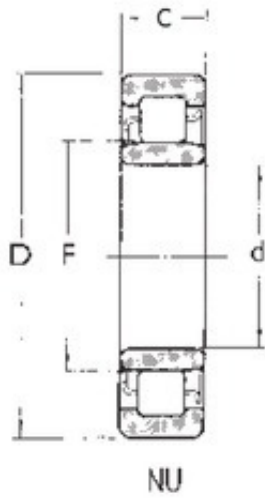
**Bearing No. NU2309**

D	100 mm
d	45 mm
B	36 mm
C	36 mm
Size (mm)	45x100x36
Width (mm)	36
Bearing number	NU2309
Bore Diameter (mm)	45
Outer Diameter (mm)	100



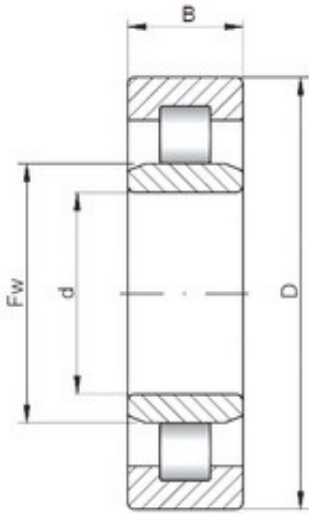
**Bearing No. NU2310**

D	110 mm
d	50 mm
B	40 mm
C	40 mm
Size (mm)	50x110x40
Width (mm)	40
Bearing number	NU2310
Bore Diameter (mm)	50
Outer Diameter (mm)	110



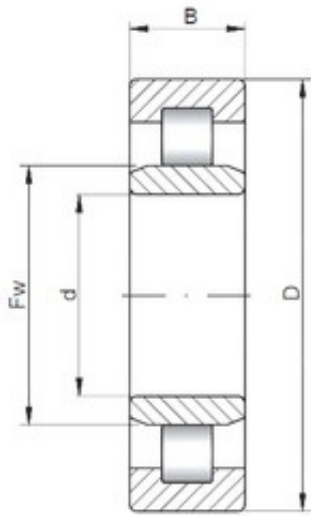
## Bearing No. NU2311

F	70,5 mm
d	55 mm
D	120 mm
B	43 mm
C	43 mm
Weight	2,16 Kg
Size (mm)	55x120x43
Width (mm)	43
Bearing number	NU2311
Bore Diameter (mm)	55
Outer Diameter (mm)	120
(Grease) Lubrication Speed	4500 r/min
Basic dynamic load rating (C)	148 kN
Basic static load rating (C0)	162 kN



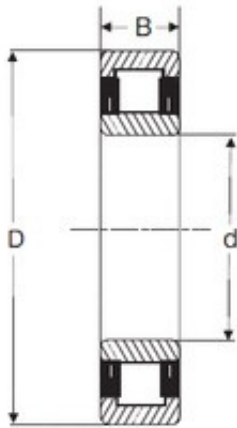
### Bearing No. NU2312

D	130 mm
d	60 mm
B	46 mm
C	46 mm
Size (mm)	60x130x46
Width (mm)	46
Bearing number	NU2312
Bore Diameter (mm)	60
Outer Diameter (mm)	130



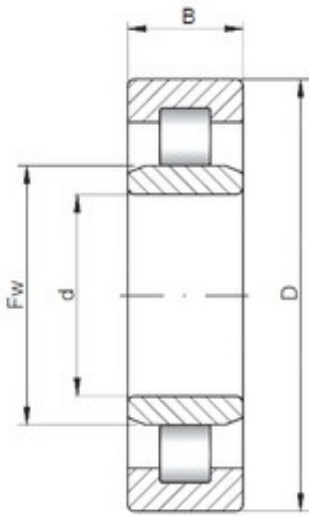
### Bearing No. NU2313

D	140 mm
d	65 mm
B	48 mm
C	48 mm
Size (mm)	65x140x48
Width (mm)	48
Bearing number	NU2313
Bore Diameter (mm)	65
Outer Diameter (mm)	140



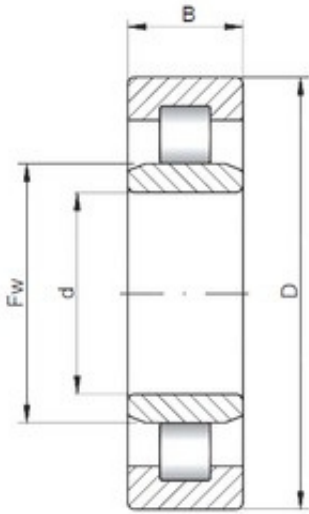
## Bearing No. NU 2314

D	150 mm
d	70 mm
B	51 mm
C	51 mm
Size (mm)	70x150x51
Width (mm)	51
Bearing number	NU 2314
Bore Diameter (mm)	70
Outer Diameter (mm)	150



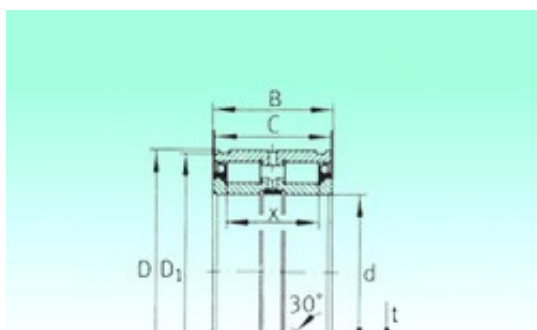
### Bearing No. NU2315

D	160 mm
d	75 mm
B	55 mm
C	55 mm
Size (mm)	75x160x55
Width (mm)	55
Bearing number	NU2315
Bore Diameter (mm)	75
Outer Diameter (mm)	160



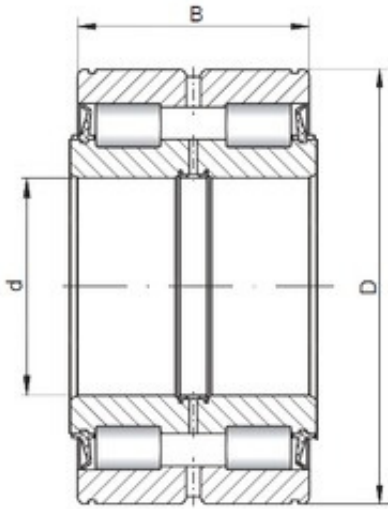
### Bearing No. NU2316

D	170 mm
d	80 mm
B	58 mm
C	58 mm
Size (mm)	80x170x58
Width (mm)	58
Bearing number	NU2316
Bore Diameter (mm)	80
Outer Diameter (mm)	170



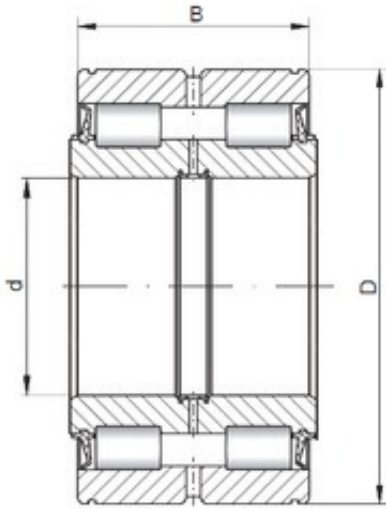
Bearing No. SL045008-PP

C	37 mm
d	40 mm
D	68 mm
B	38 mm
t	0,8 mm
x	28,5 mm
m	2,7 mm
C1	32,2 mm
D1	65,8 mm
Weight	0,56 Kg
Size (mm)	40x68x38
Width (mm)	38
Bearing number	SL045008-PP
Bore Diameter (mm)	40
Outer Diameter (mm)	68
Basic dynamic load rating (C)	76 kN
Basic static load rating (C0)	103 kN



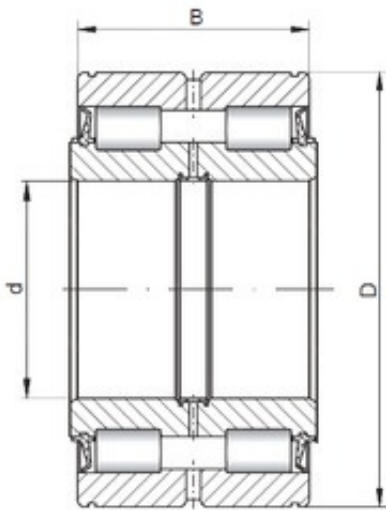
### Bearing No. SL045009

D	75 mm
d	45 mm
B	40 mm
C	40 mm
Size (mm)	45x75x40
Width (mm)	40
Bearing number	SL045009
Bore Diameter (mm)	45
Outer Diameter (mm)	75



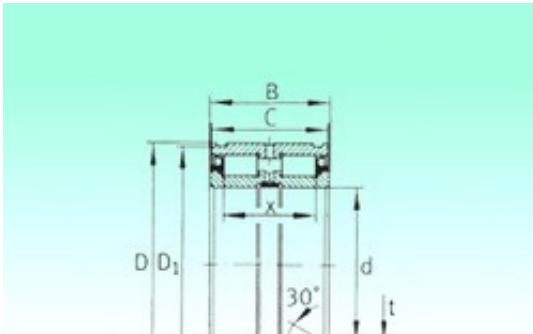
### Bearing No. SL045010

D	80 mm
d	50 mm
B	40 mm
C	40 mm
Size (mm)	50x80x40
Width (mm)	40
Bearing number	SL045010
Bore Diameter (mm)	50
Outer Diameter (mm)	80



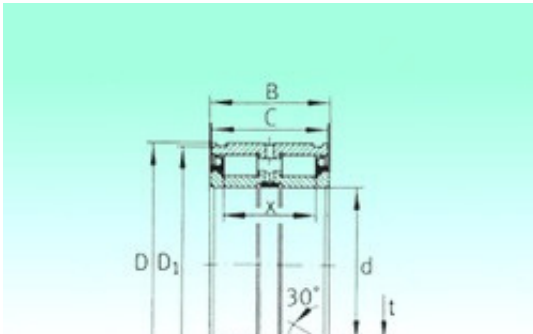
### Bearing No. SL045011

D	90 mm
d	55 mm
B	46 mm
C	46 mm
Size (mm)	55x90x46
Width (mm)	46
Bearing number	SL045011
Bore Diameter (mm)	55
Outer Diameter (mm)	90



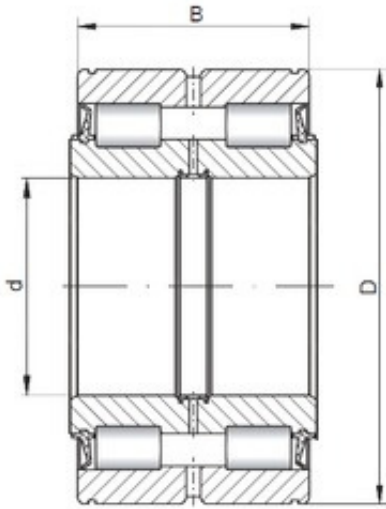
### Bearing No. SL045012-PP

C	45 mm
d	60 mm
D	95 mm
B	46 mm
t	1 mm
x	36 mm
m	3,2 mm
C1	40,2 mm
D1	92,4 mm
Weight	1,26 Kg
Size (mm)	60x95x46
Width (mm)	46
Bearing number	SL045012-PP
Bore Diameter (mm)	60
Outer Diameter (mm)	95
Basic dynamic load rating (C)	120 kN
Basic static load rating (C0)	189 kN



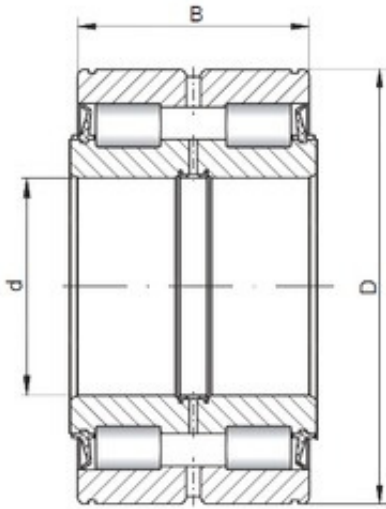
### Bearing No. SL045013-PP

C	45 mm
d	65 mm
D	100 mm
B	46 mm
t	1 mm
x	36 mm
m	3,2 mm
C1	40,2 mm
D1	97,4 mm
Weight	1,33 Kg
Size (mm)	65x100x46
Width (mm)	46
Bearing number	SL045013-PP
Bore Diameter (mm)	65
Outer Diameter (mm)	100
Basic dynamic load rating (C)	125 kN
Basic static load rating (C0)	203 kN



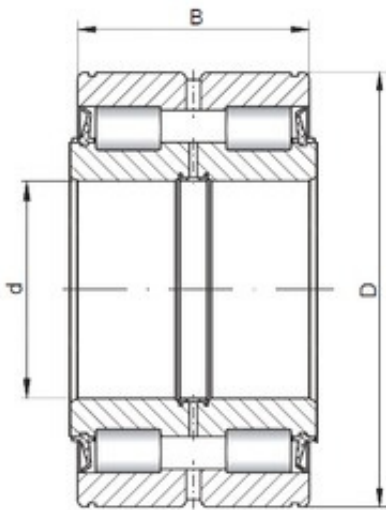
### Bearing No. SL045014

D	110 mm
d	70 mm
B	54 mm
C	54 mm
Size (mm)	70x110x54
Width (mm)	54
Bearing number	SL045014
Bore Diameter (mm)	70
Outer Diameter (mm)	110



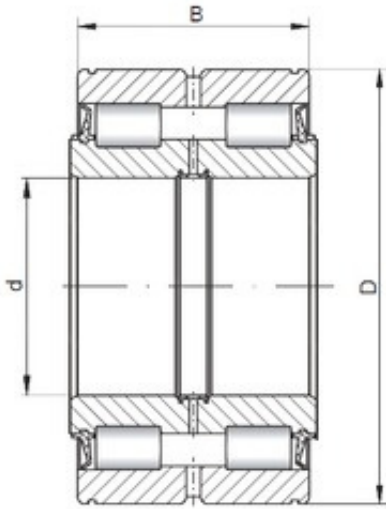
### Bearing No. SL045015

D	115 mm
d	75 mm
B	54 mm
C	54 mm
Size (mm)	75x115x54
Width (mm)	54
Bearing number	SL045015
Bore Diameter (mm)	75
Outer Diameter (mm)	115



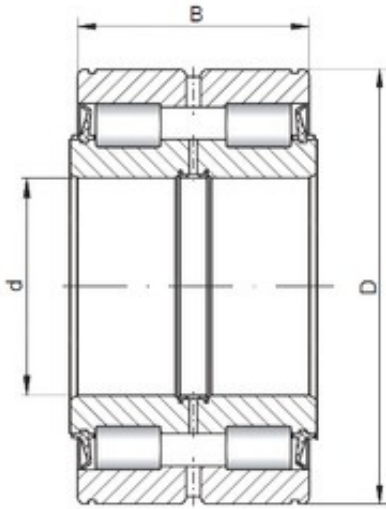
### Bearing No. SL045016

D	125 mm
d	80 mm
B	60 mm
C	60 mm
Size (mm)	80x125x60
Width (mm)	60
Bearing number	SL045016
Bore Diameter (mm)	80
Outer Diameter (mm)	125



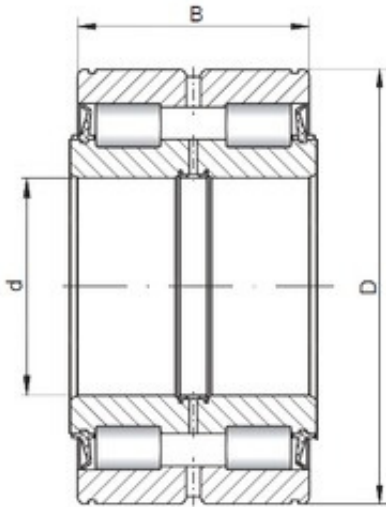
### Bearing No. SL045017

D	130 mm
d	85 mm
B	60 mm
C	60 mm
Size (mm)	85x130x60
Width (mm)	60
Bearing number	SL045017
Bore Diameter (mm)	85
Outer Diameter (mm)	130



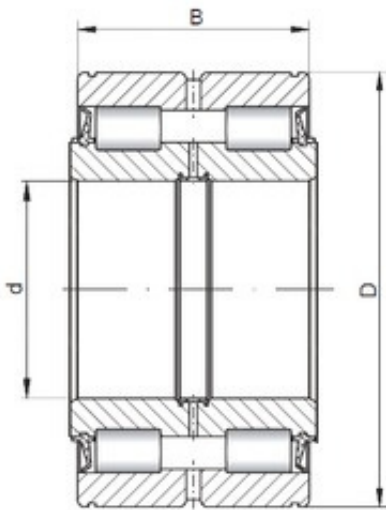
### Bearing No. SL045018

D	140 mm
d	90 mm
B	67 mm
C	67 mm
Size (mm)	90x140x67
Width (mm)	67
Bearing number	SL045018
Bore Diameter (mm)	90
Outer Diameter (mm)	140



### Bearing No. SL045019

D	145 mm
d	95 mm
B	67 mm
C	67 mm
Size (mm)	95x145x67
Width (mm)	67
Bearing number	SL045019
Bore Diameter (mm)	95
Outer Diameter (mm)	145



### Bearing No. SL045020

D	150 mm
d	100 mm
B	67 mm
C	67 mm
Size (mm)	100x150x67
Width (mm)	67
Bearing number	SL045020
Bore Diameter (mm)	100
Outer Diameter (mm)	150