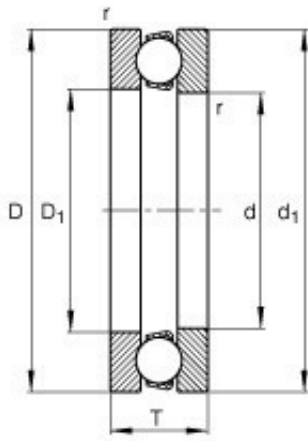


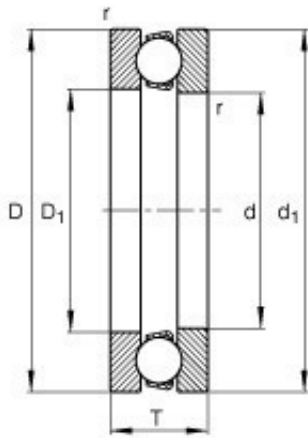
Bearing No. 51108

m	0,114 kg / Weight
A	0,02 / Factor min. load
d	40 mm
D	60 mm
T	13 mm
Size (mm)	40x60x13
Width (mm)	13
d1	60 mm
nG	7400 1/min / Limiting speed
D1	42 mm
Ca	27000 N / Dynamic load rating (axial)
C0a	63000 N / Static load rating (axial)
Bearing number	51108
Cua	2750 N / Fatigue limit load, axial
rmin	0,6 mm
ra max	0,6 mm
da min	52 mm
Da max	48 mm
Bore Diameter (mm)	40
Outer Diameter (mm)	60



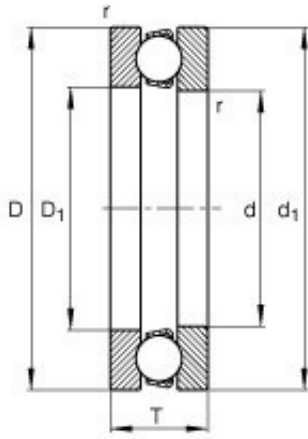
Bearing No. 51107

m	0,08 kg / Weight
A	0,011 / Factor min. load
d	35 mm
D	52 mm
T	12 mm
Size (mm)	35x52x12
Width (mm)	12
d1	52 mm
nG	8800 1/min / Limiting speed
D1	37 mm
Ca	20000 N / Dynamic load rating (axial)
C0a	46500 N / Static load rating (axial)
Bearing number	51107
Cua	2060 N / Fatigue limit load, axial
rmin	0,6 mm
ra max	0,6 mm
da min	45 mm
Da max	42 mm
Bore Diameter (mm)	35
Outer Diameter (mm)	52



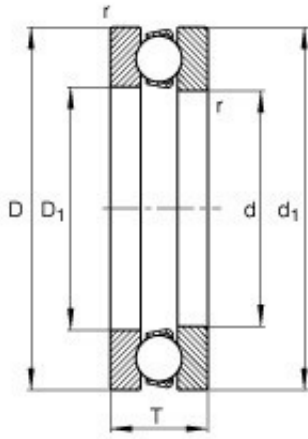
Bearing No. 51106

m	0,063 kg / Weight
A	0,0090 / Factor min. load
d	30 mm
D	47 mm
T	11 mm
Size (mm)	30x47x11
Width (mm)	11
d1	47 mm
nG	9300 1/min / Limiting speed
D1	32 mm
Ca	19000 N / Dynamic load rating (axial)
C0a	40000 N / Static load rating (axial)
Bearing number	51106
Cua	1770 N / Fatigue limit load, axial
rmin	0,6 mm
ra max	0,6 mm
da min	40 mm
Da max	37 mm
Bore Diameter (mm)	30
Outer Diameter (mm)	47



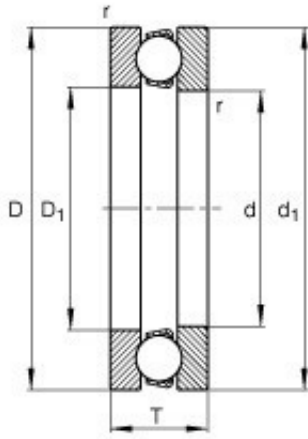
Bearing No. 51105

m	0,055 kg / Weight
A	0,0060 / Factor min. load
d	25 mm
D	42 mm
T	11 mm
Size (mm)	25x42x11
Width (mm)	11
d1	42 mm
nG	9700 1/min / Limiting speed
D1	26 mm
Ca	18000 N / Dynamic load rating (axial)
C0a	35500 N / Static load rating (axial)
Bearing number	51105
Cua	1570 N / Fatigue limit load, axial
rmin	0,6 mm
ra max	0,6 mm
da min	35 mm
Da max	32 mm
Bore Diameter (mm)	25
Outer Diameter (mm)	42



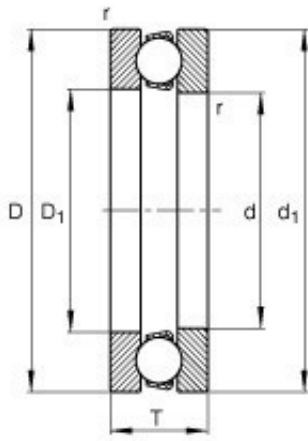
Bearing No. 51102

m	0,024 kg / Weight
A	0,0020 / Factor min. load
d	15 mm
D	28 mm
T	9 mm
Size (mm)	15x28x9
Width (mm)	9
d1	28 mm
nG	13100 1/min / Limiting speed
D1	16 mm
Ca	10600 N / Dynamic load rating (axial)
C0a	16600 N / Static load rating (axial)
Bearing number	51102
Cua	750 N / Fatigue limit load, axial
rmin	0,3 mm
ra max	0,3 mm
da min	23 mm
Da max	20 mm
Bore Diameter (mm)	15
Outer Diameter (mm)	28



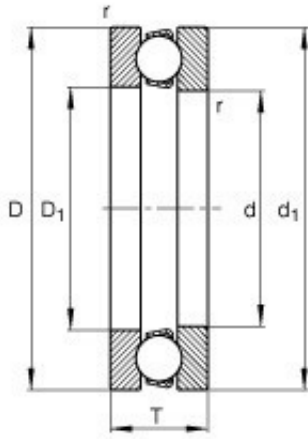
Bearing No. 51103

m	0,024 kg / Weight
A	0,0020 / Factor min. load
d	17 mm
D	30 mm
T	9 mm
Size (mm)	17x30x9
Width (mm)	9
d1	30 mm
nG	12900 1/min / Limiting speed
D1	18 mm
Ca	11400 N / Dynamic load rating (axial)
C0a	19600 N / Static load rating (axial)
Bearing number	51103
Cua	870 N / Fatigue limit load, axial
rmin	0,3 mm
ra max	0,3 mm
da min	25 mm
Da max	22 mm
Bore Diameter (mm)	17
Outer Diameter (mm)	30



Bearing No. 51101

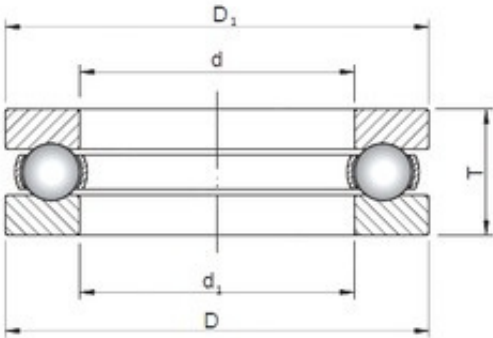
m	0,021 kg / Weight
A	0,0010 / Factor min. load
d	12 mm
D	26 mm
T	9 mm
Size (mm)	12x26x9
Width (mm)	9
d1	26 mm
nG	13100 1/min / Limiting speed
D1	13 mm
Ca	10400 N / Dynamic load rating (axial)
C0a	15300 N / Static load rating (axial)
Bearing number	51101
Cua	690 N / Fatigue limit load, axial
rmin	0,3 mm
ra max	0,3 mm
da min	20 mm
Da max	18 mm
Bore Diameter (mm)	12
Outer Diameter (mm)	26



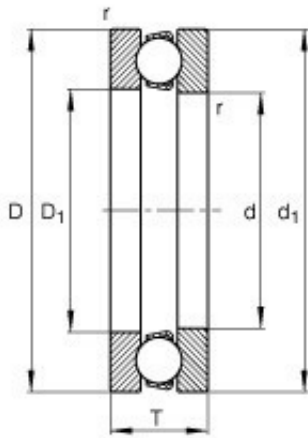
Bearing No. 51100

m	0,018 kg / Weight
A	0,0010 / Factor min. load
d	10 mm
D	24 mm
T	9 mm
Size (mm)	10x24x9
Width (mm)	9
d1	24 mm
nG	12700 1/min / Limiting speed
D1	11 mm
Ca	10000 N / Dynamic load rating (axial)
C0a	14000 N / Static load rating (axial)
Bearing number	51100
Cua	620 N / Fatigue limit load, axial
rmin	0,3 mm
ra max	0,3 mm
da min	18 mm
Da max	16 mm
Bore Diameter (mm)	10
Outer Diameter (mm)	24

Bearing No. 51176

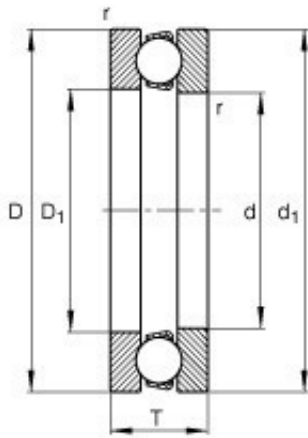


d	380 mm
D	456 mm
T	65 mm
d1	384 mm
D1	460 mm
Bearing number	51176
Bore Diameter (mm)	380
Outer Diameter (mm)	456



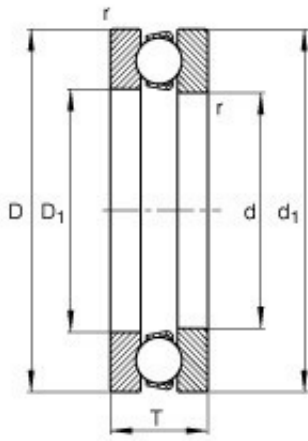
Bearing No. 51117

m	0,404 kg / Weight
A	0,11 / Factor min. load
d	85 mm
D	110 mm
T	19 mm
Size (mm)	85x110x19
Width (mm)	19
d1	110 mm
nG	4500 1/min / Limiting speed
D1	87 mm
Ca	45500 N / Dynamic load rating (axial)
C0a	134000 N / Static load rating (axial)
Bearing number	51117
Cua	6000 N / Fatigue limit load, axial
rmin	1 mm
ra max	1 mm
da min	100 mm
Da max	95 mm
Bore Diameter (mm)	85
Outer Diameter (mm)	110



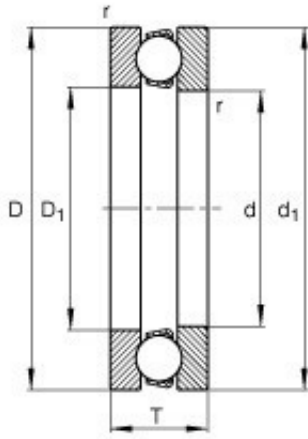
Bearing No. 51116

m	0,384 kg / Weight
A	0,1 / Factor min. load
d	80 mm
D	105 mm
T	19 mm
Size (mm)	80x105x19
Width (mm)	19
d1	105 mm
nG	4650 1/min / Limiting speed
D1	82 mm
Ca	45000 N / Dynamic load rating (axial)
C0a	129000 N / Static load rating (axial)
Bearing number	51116
Cua	5700 N / Fatigue limit load, axial
rmin	1 mm
ra max	1 mm
da min	95 mm
Da max	90 mm
Bore Diameter (mm)	80
Outer Diameter (mm)	105



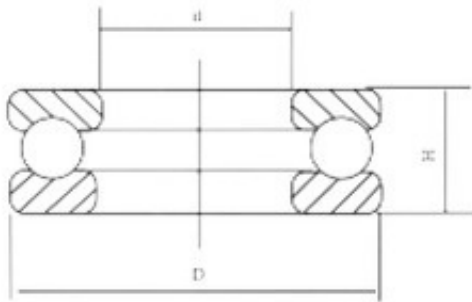
Bearing No. 51110

m	0,151 kg / Weight
A	0,03 / Factor min. load
d	50 mm
D	70 mm
T	14 mm
Size (mm)	50x70x14
Width (mm)	14
d1	70 mm
nG	6800 1/min / Limiting speed
D1	52 mm
Ca	29000 N / Dynamic load rating (axial)
C0a	75000 N / Static load rating (axial)
Bearing number	51110
Cua	3300 N / Fatigue limit load, axial
rmin	0,6 mm
ra max	0,6 mm
da min	62 mm
Da max	58 mm
Bore Diameter (mm)	50
Outer Diameter (mm)	70



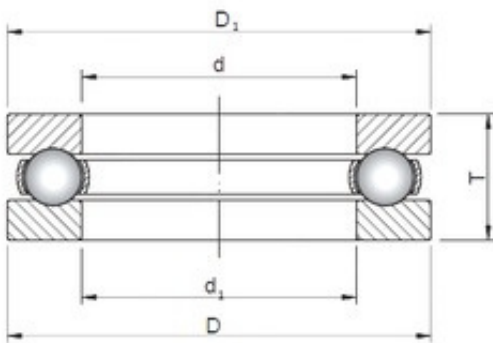
Bearing No. 51104

m	0,037 kg / Weight
A	0,0040 / Factor min. load
d	20 mm
D	35 mm
T	10 mm
Size (mm)	20x35x10
Width (mm)	10
d1	35 mm
nG	10900 1/min / Limiting speed
D1	21 mm
Ca	15000 N / Dynamic load rating (axial)
C0a	26500 N / Static load rating (axial)
Bearing number	51104
Cua	1180 N / Fatigue limit load, axial
rmin	0,3 mm
ra max	0,3 mm
da min	29 mm
Da max	26 mm
Bore Diameter (mm)	20
Outer Diameter (mm)	35



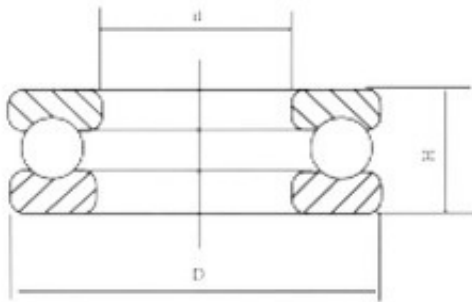
Bearing No. 51211

D	90 mm
d	55 mm
H	25 mm
Size (mm)	55x90x25
Width (mm)	25
Bearing number	51211
Bore Diameter (mm)	55
Outer Diameter (mm)	90



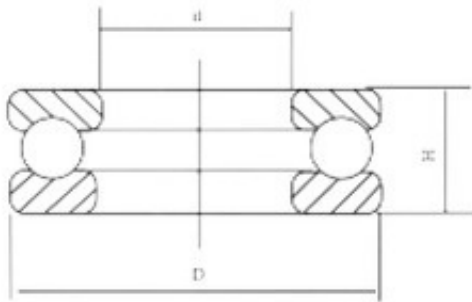
Bearing No. 51210

d	50 mm
D	78 mm
T	22 mm
d1	52 mm
D1	78 mm
Weight	0,37 Kg
Bearing number	51210
Bore Diameter (mm)	50
Outer Diameter (mm)	78
(Grease) Lubrication Speed	2400 r/min
Basic dynamic load rating (C)	49,4 kN
Basic static load rating (C0)	106 kN



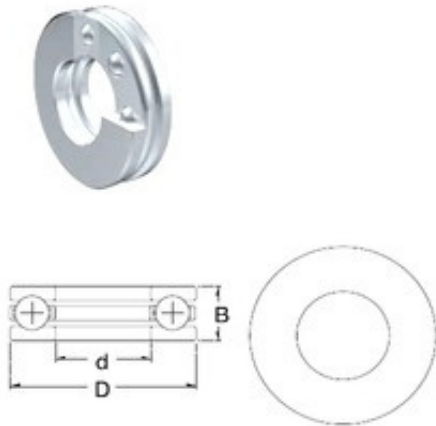
Bearing No. 51209

D	73 mm
d	45 mm
H	20 mm
Size (mm)	45x73x20
Width (mm)	20
Bearing number	51209
Bore Diameter (mm)	45
Outer Diameter (mm)	73



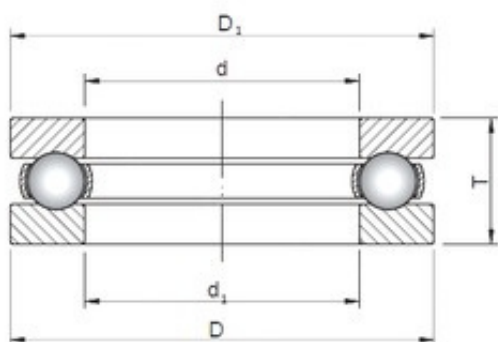
Bearing No. 51208

D	68 mm
d	40 mm
H	19 mm
Size (mm)	40x68x19
Width (mm)	19
Bearing number	51208
Bore Diameter (mm)	40
Outer Diameter (mm)	68



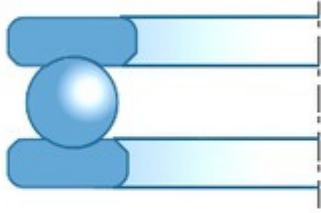
Bearing No. 51207

D	62 mm
d	35 mm
H	18 mm
Size (mm)	35x62x18
Width (mm)	18
Bearing number	51207
Bore Diameter (mm)	35
Outer Diameter (mm)	62
(Grease) Lubrication Speed	3000 r/min
Basic dynamic load rating (C)	39 kN
Basic static load rating (C0)	78 kN



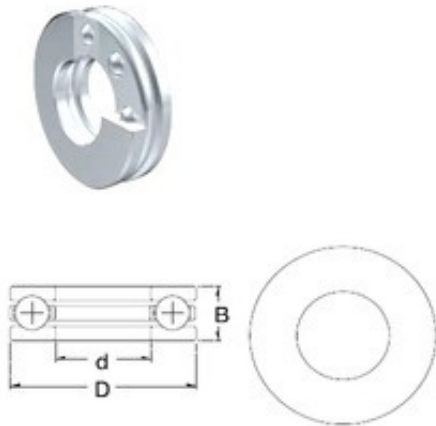
Bearing No. 51206

d	30 mm
D	52 mm
T	16 mm
d1	32 mm
D1	52 mm
Weight	0,13 Kg
Bearing number	51206
Bore Diameter (mm)	30
Outer Diameter (mm)	52
(Grease) Lubrication Speed	3600 r/min
Basic dynamic load rating (C)	25,5 kN
Basic static load rating (C0)	47,5 kN



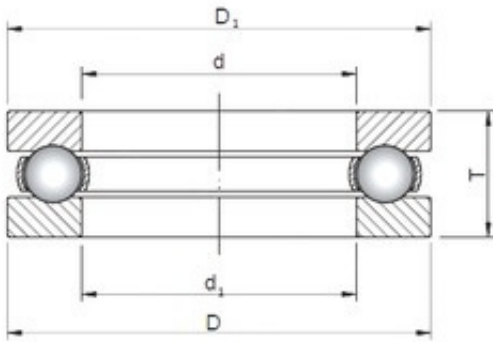
Bearing No. 51205

D	47,000 mm
d	25,000 mm
H	15,000 mm
Size (mm)	25x47x15
Width (mm)	15,000
Bearing number	51205
Bore Diameter (mm)	25,000
Outer Diameter (mm)	47,000



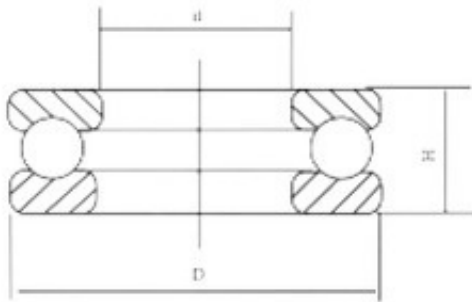
Bearing No. 51204

D	40 mm
d	20 mm
H	14 mm
Size (mm)	20x40x14
Width (mm)	14
Bearing number	51204
Bore Diameter (mm)	20
Outer Diameter (mm)	40
(Grease) Lubrication Speed	4300 r/min
Basic dynamic load rating (C)	19,89 kN
Basic static load rating (C0)	25 kN



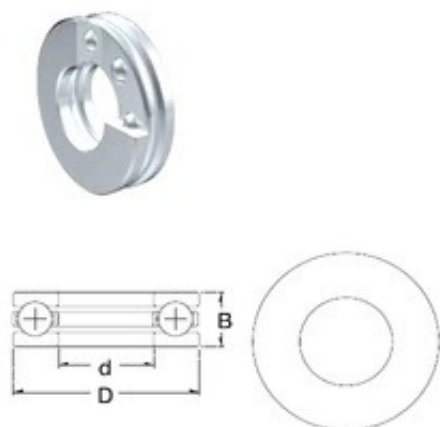
Bearing No. 51203

d	17 mm
D	35 mm
T	12 mm
d1	19 mm
D1	35 mm
Bearing number	51203
Bore Diameter (mm)	17
Outer Diameter (mm)	35



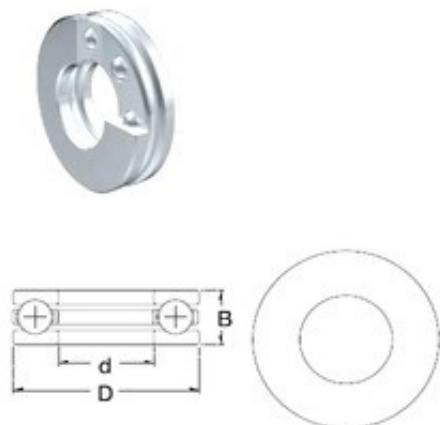
Bearing No. 51202

D	32 mm
d	15 mm
H	12 mm
Size (mm)	15x32x12
Width (mm)	12
Bearing number	51202
Bore Diameter (mm)	15
Outer Diameter (mm)	32



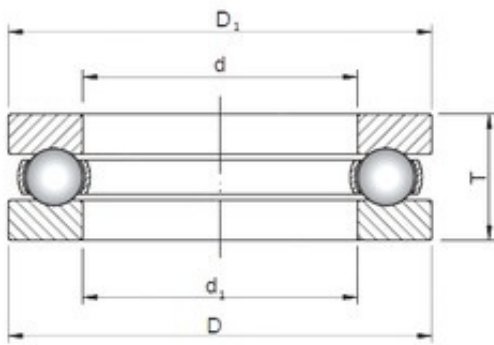
Bearing No. 51200

D	26 mm
d	10 mm
H	11 mm
Size (mm)	10x26x11
Width (mm)	11
Bearing number	51200
Bore Diameter (mm)	10
Outer Diameter (mm)	26
(Grease) Lubrication Speed	6000 r/min
Basic dynamic load rating (C)	12,7 kN
Basic static load rating (C0)	17 kN



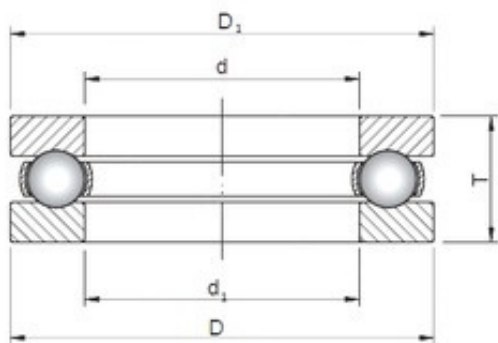
Bearing No. 51201

D	28 mm
d	12 mm
H	11 mm
Size (mm)	12x28x11
Width (mm)	11
Bearing number	51201
Bore Diameter (mm)	12
Outer Diameter (mm)	28
(Grease) Lubrication Speed	6000 r/min
Basic dynamic load rating (C)	13,2 kN
Basic static load rating (C0)	19 kN



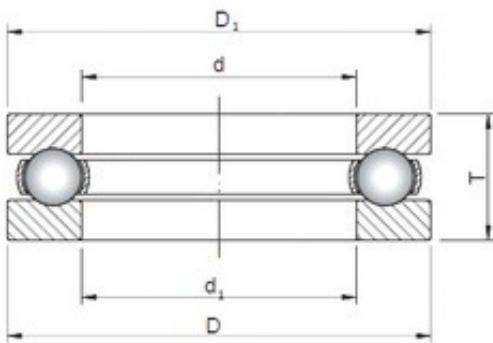
Bearing No. 51316

d	80 mm
D	140 mm
T	44 mm
d1	82 mm
D1	140 mm
Bearing number	51316
Bore Diameter (mm)	80
Outer Diameter (mm)	140



Bearing No. 51315

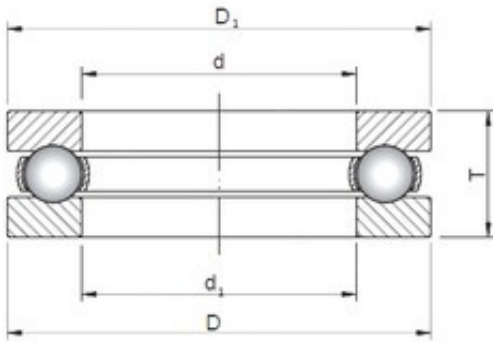
d	75 mm
D	135 mm
T	44 mm
d1	77 mm
D1	135 mm
Bearing number	51315
Bore Diameter (mm)	75
Outer Diameter (mm)	135



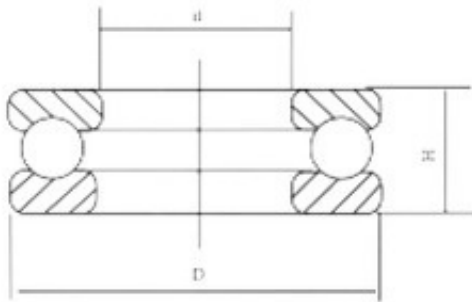
Bearing No. 51314

d	70 mm
D	125 mm
T	40 mm
d1	72 mm
D1	125 mm
Weight	2 Kg
Bearing number	51314
Bore Diameter (mm)	70
Outer Diameter (mm)	125
(Grease) Lubrication Speed	1400 r/min
Basic dynamic load rating (C)	135 kN
Basic static load rating (C0)	300 kN

Bearing No. 51313

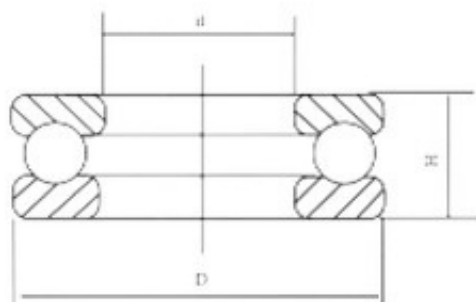


d	65 mm
D	115 mm
T	36 mm
d1	67 mm
D1	115 mm
Bearing number	51313
Bore Diameter (mm)	65
Outer Diameter (mm)	115



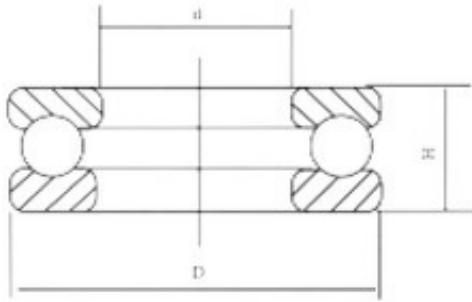
Bearing No. 51312

D	110 mm
d	60 mm
H	35 mm
Size (mm)	60x110x35
Width (mm)	35
Bearing number	51312
Bore Diameter (mm)	60
Outer Diameter (mm)	110



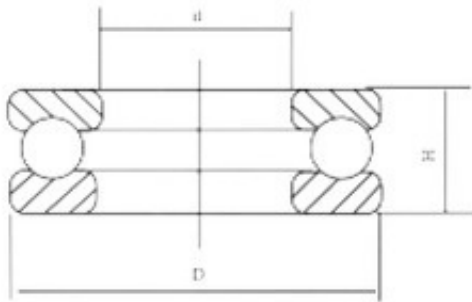
Bearing No. 51311

D	105 mm
d	55 mm
H	35 mm
Size (mm)	55x105x35
Width (mm)	35
Bearing number	51311
Bore Diameter (mm)	55
Outer Diameter (mm)	105



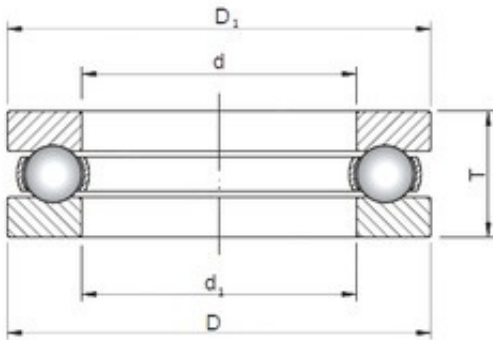
Bearing No. 51310

D	95 mm
d	50 mm
H	31 mm
Size (mm)	50x95x31
Width (mm)	31
Bearing number	51310
Bore Diameter (mm)	50
Outer Diameter (mm)	95



Bearing No. 51309

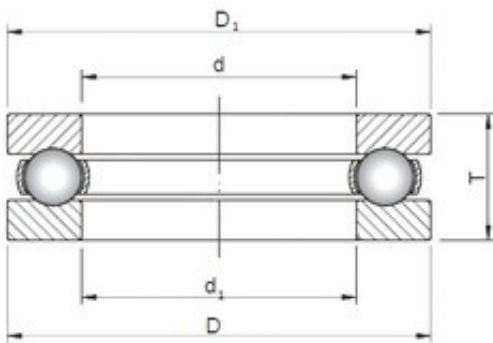
D	85 mm
d	45 mm
H	28 mm
Size (mm)	45x85x28
Width (mm)	28
Bearing number	51309
Bore Diameter (mm)	45
Outer Diameter (mm)	85



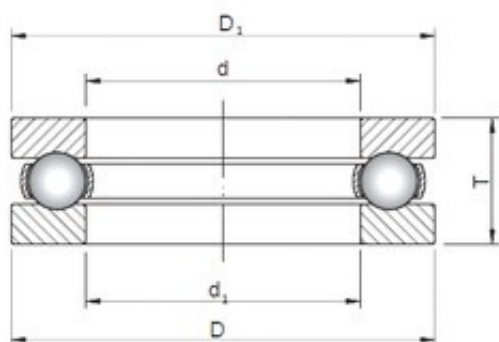
Bearing No. 51308

d	40 mm
D	78 mm
T	26 mm
d1	42 mm
D1	78 mm
Weight	0,53 Kg
Bearing number	51308
Bore Diameter (mm)	40
Outer Diameter (mm)	78
(Grease) Lubrication Speed	2000 r/min
Basic dynamic load rating (C)	61,8 kN
Basic static load rating (C0)	112 kN

Bearing No. 51307

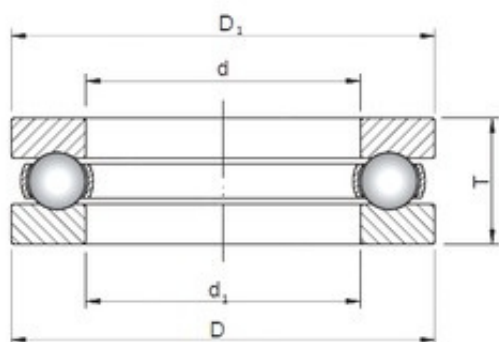


d	35 mm
D	68 mm
T	24 mm
d1	37 mm
D1	68 mm
Weight	0,38 Kg
Bearing number	51307
Bore Diameter (mm)	35
Outer Diameter (mm)	68
(Grease) Lubrication Speed	2400 r/min
Basic dynamic load rating (C)	49,4 kN
Basic static load rating (C0)	88 kN



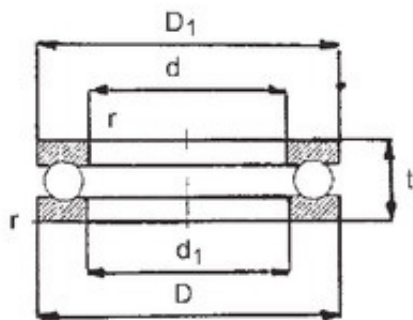
Bearing No. 51305

d	25 mm
D	52 mm
T	18 mm
d1	27 mm
D1	52 mm
Weight	0,17 Kg
Bearing number	51305
Bore Diameter (mm)	25
Outer Diameter (mm)	52
(Grease) Lubrication Speed	3400 r/min
Basic dynamic load rating (C)	34,5 kN
Basic static load rating (C0)	55 kN



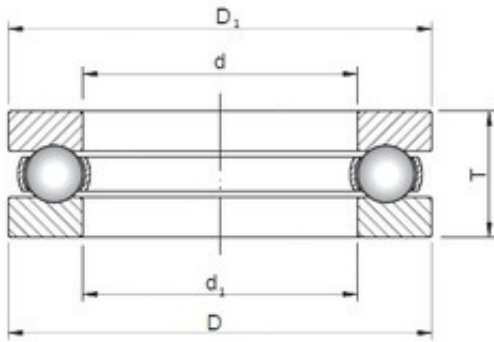
Bearing No. 51306

d	30 mm
D	60 mm
T	21 mm
d1	32 mm
D1	60 mm
Weight	0,26 Kg
Bearing number	51306
Bore Diameter (mm)	30
Outer Diameter (mm)	60
(Grease) Lubrication Speed	2800 r/min
Basic dynamic load rating (C)	37,7 kN
Basic static load rating (C0)	65,5 kN



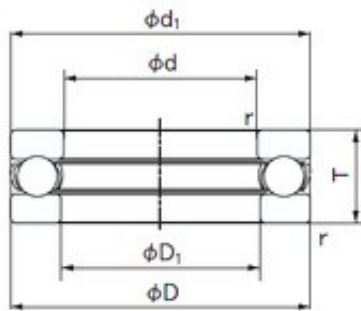
Bearing No. 51415

D	160 mm
d	75 mm
T	65 mm
d1	78 mm
D1	160 mm
r min.	2 mm
Weight	6,75 Kg
Size (mm)	75x160x65
Width (mm)	65
Bearing number	51415
Bore Diameter (mm)	75
Outer Diameter (mm)	160
(Grease) Lubrication Speed	900 r/min
Basic dynamic load rating (C)	251 kN
Basic static load rating (C0)	560 kN



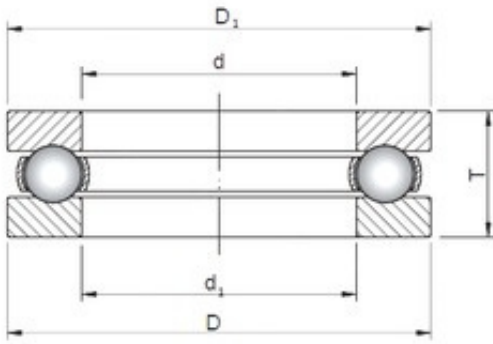
Bearing No. 51414

d	70 mm
D	150 mm
T	60 mm
d1	73 mm
D1	150 mm
Bearing number	51414
Bore Diameter (mm)	70
Outer Diameter (mm)	150



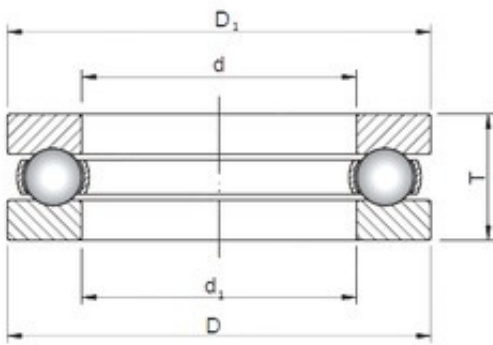
Bearing No. 51413

D	140 mm
d	65 mm
T	56 mm
d1	140 mm
D1	68 mm
r min.	2 mm
Weight	4.18 Kg
Size (mm)	65x140x56
Width (mm)	56
Bearing number	51413
Bore Diameter (mm)	65
Outer Diameter (mm)	140
(Grease) Lubrication Speed	1100 r/min
Basic dynamic load rating (C)	231 kN
Basic static load rating (C0)	495 kN



Bearing No. 51412

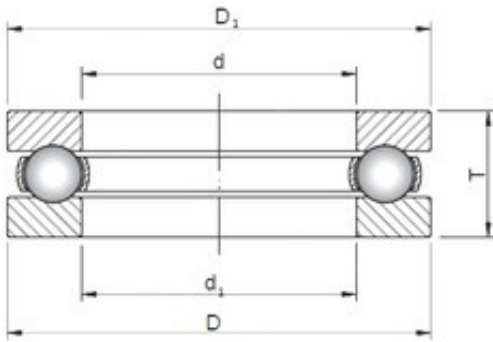
d	60 mm
D	130 mm
T	51 mm
d1	62 mm
D1	130 mm
Bearing number	51412
Bore Diameter (mm)	60
Outer Diameter (mm)	130



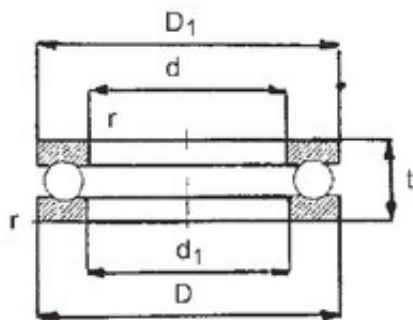
Bearing No. 51411

d	55 mm
D	120 mm
T	48 mm
d1	57 mm
D1	120 mm
Weight	2,55 Kg
Bearing number	51411
Bore Diameter (mm)	55
Outer Diameter (mm)	120
(Grease) Lubrication Speed	1300 r/min
Basic dynamic load rating (C)	178 kN
Basic static load rating (C0)	360 kN

Bearing No. 51410

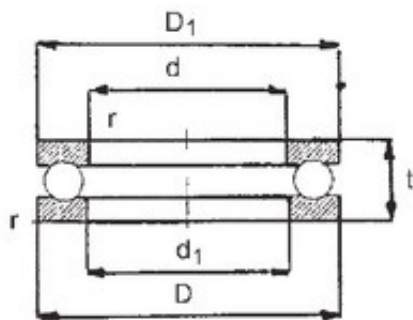


d	50 mm
D	110 mm
T	43 mm
d1	52 mm
D1	110 mm
Bearing number	51410
Bore Diameter (mm)	50
Outer Diameter (mm)	110



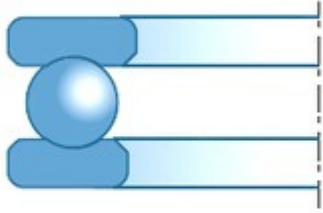
Bearing No. 51409

D	100 mm
d	45 mm
T	39 mm
d1	47 mm
D1	100 mm
r min.	1,1 mm
Weight	1,4 Kg
Size (mm)	45x100x39
Width (mm)	39
Bearing number	51409
Bore Diameter (mm)	45
Outer Diameter (mm)	100
(Grease) Lubrication Speed	1600 r/min
Basic dynamic load rating (C)	130 kN
Basic static load rating (C0)	240 kN



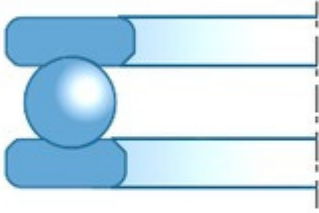
Bearing No. 51408

D	90 mm
d	40 mm
T	36 mm
d1	42 mm
D1	90 mm
r min.	1,1 mm
Weight	1,1 Kg
Size (mm)	40x90x36
Width (mm)	36
Bearing number	51408
Bore Diameter (mm)	40
Outer Diameter (mm)	90
(Grease) Lubrication Speed	1700 r/min
Basic dynamic load rating (C)	112 kN
Basic static load rating (C0)	204 kN



Bearing No. 51407

D	80,000 mm
d	35,000 mm
H	32,000 mm
Size (mm)	35x80x32
Width (mm)	32,000
Bearing number	51407
Bore Diameter (mm)	35,000
Outer Diameter (mm)	80,000



Bearing No. 51405

D	60,000 mm
d	25,000 mm
H	24,000 mm
Size (mm)	25x60x24
Width (mm)	24,000
Bearing number	51405
Bore Diameter (mm)	25,000
Outer Diameter (mm)	60,000