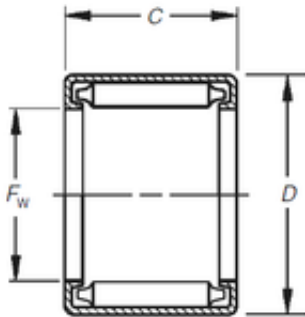


### Bearing No. B-8812



D	152,4 mm
C	19,05 mm
Fw	139,7 mm
Weight	0,325 Kg
Size (mm)	139.7x152.4x19.05
Width (mm)	19,05
Bearing number	B-8812
Bore Diameter (mm)	139,7
Outer Diameter (mm)	152,4
(Grease) Lubrication Speed	1000 r/min
Basic dynamic load rating (C)	77 kN
Basic static load rating (C0)	231 kN