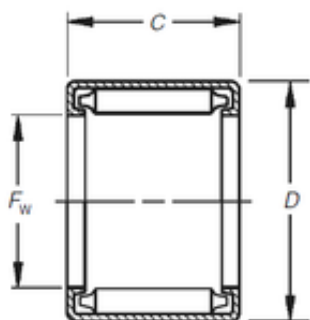


Bearing No. B-3228



D	60,325 mm
C	44,45 mm
Fw	50,8 mm
Weight	0,217 Kg
Size (mm)	50.8x60.325x44.45
Width (mm)	44,45
Bearing number	B-3228
Bore Diameter (mm)	50,8
Outer Diameter (mm)	60,325
(Grease) Lubrication Speed	2100 r/min
Basic dynamic load rating (C)	97,4 kN
Basic static load rating (C0)	273 kN