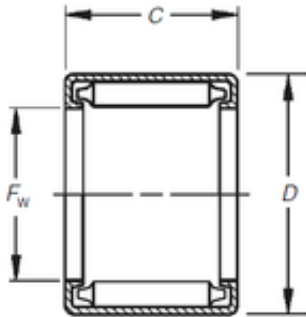


### Bearing No. B-2820



D	53,975 mm
C	31,75 mm
Fw	44,45 mm
Weight	0,137 Kg
Size (mm)	44.45x53.975x31.75
Width (mm)	31,75
Bearing number	B-2820
Bore Diameter (mm)	44,45
Outer Diameter (mm)	53,975
(Grease) Lubrication Speed	2400 r/min
Basic dynamic load rating (C)	66,3 kN
Basic static load rating (C0)	160 kN