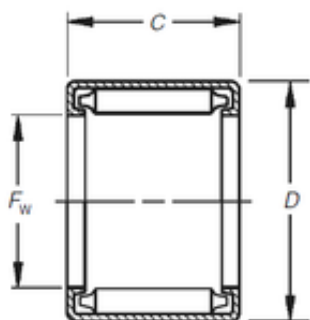


Bearing No. B-2620



D	50,8 mm
C	31,75 mm
Fw	41,275 mm
Weight	0,128 Kg
Size (mm)	41.275x50.8x31.75
Width (mm)	31,75
Bearing number	B-2620
Bore Diameter (mm)	41,275
Outer Diameter (mm)	50,8
(Grease) Lubrication Speed	2600 r/min
Basic dynamic load rating (C)	64 kN
Basic static load rating (C0)	149 kN