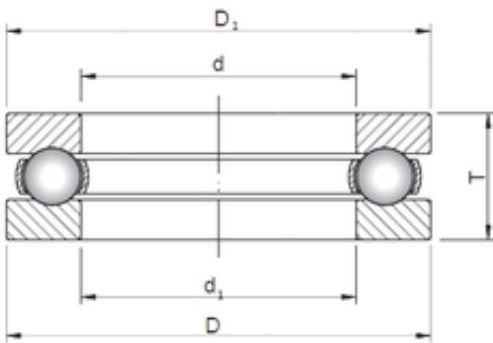


Bearing No. 51322



d	110 mm
D	190 mm
T	63 mm
d1	113 mm
D1	190 mm
Bearing number	51322
Bore Diameter (mm)	110
Outer Diameter (mm)	190