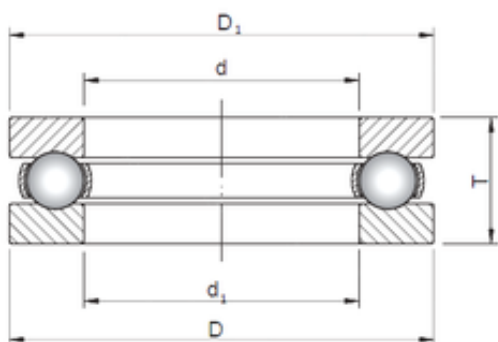


### Bearing No. 51215



d	75 mm
D	110 mm
T	27 mm
d1	77 mm
D1	110 mm
Weight	0,83 Kg
Bearing number	51215
Bore Diameter (mm)	75
Outer Diameter (mm)	110
(Grease) Lubrication Speed	1700 r/min
Basic dynamic load rating (C)	67,6 kN
Basic static load rating (C0)	170 kN