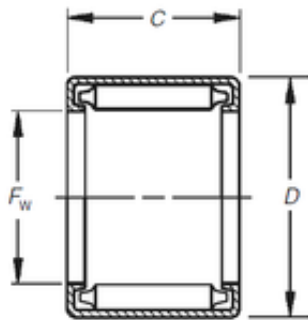


Bearing No. B-3416



D	63,5 mm
C	25,4 mm
F _w	53,975 mm
Weight	0,131 Kg
Size (mm)	53.975x63.5x25.4
Width (mm)	25,4
Bearing number	B-3416
Bore Diameter (mm)	53,975
Outer Diameter (mm)	63,5
(Grease) Lubrication Speed	2000 r/min
Basic dynamic load rating (C)	59,2 kN
Basic static load rating (C ₀)	147 kN