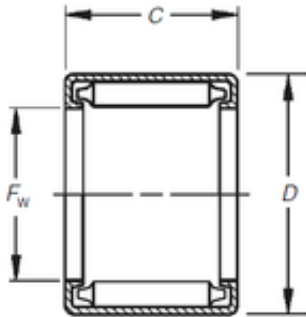


### Bearing No. BH-68



D	15,875 mm
C	12,7 mm
F <sub>w</sub>	9,525 mm
Weight	0,01 Kg
Size (mm)	9.525x15.875x12.7
Width (mm)	12,7
Bearing number	BH-68
Bore Diameter (mm)	9,525
Outer Diameter (mm)	15,875
(Grease) Lubrication Speed	6500 r/min
Basic dynamic load rating (C)	9,34 kN
Basic static load rating (C <sub>0</sub> )	10,9 kN