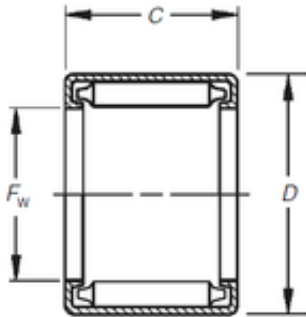


### Bearing No. BH-59



D	14,288 mm
C	14,27 mm
Fw	7,938 mm
Weight	0,009 Kg
Size (mm)	7.938x14.288x14.27
Width (mm)	14,27
Bearing number	BH-59
Bore Diameter (mm)	7,938
Outer Diameter (mm)	14,288
(Grease) Lubrication Speed	7500 r/min
Basic dynamic load rating (C)	9,47 kN
Basic static load rating (C0)	10,8 kN