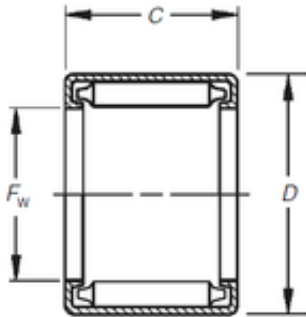


Bearing No. BH-1310



D	28,575 mm
C	15,88 mm
Fw	20,638 mm
Weight	0,029 Kg
Size (mm)	20.638x28.575x15.88
Width (mm)	15,88
Bearing number	BH-1310
Bore Diameter (mm)	20,638
Outer Diameter (mm)	28,575
(Grease) Lubrication Speed	4100 r/min
Basic dynamic load rating (C)	19,7 kN
Basic static load rating (C0)	29,89 kN