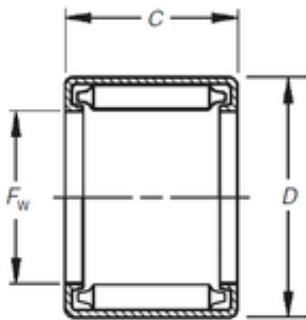


Bearing No. B-77



D	15,875 mm
C	11,13 mm
Fw	11,113 mm
Weight	0,007 Kg
Size (mm)	11.113x15.875x11.13
Width (mm)	11,13
Bearing number	B-77
Bore Diameter (mm)	11,113
Outer Diameter (mm)	15,875
(Grease) Lubrication Speed	4100 r/min
Basic dynamic load rating (C)	7,7 kN
Basic static load rating (C0)	11,3 kN