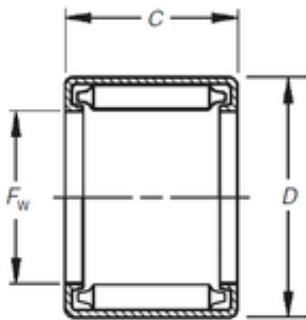


Bearing No. B-167



D	31,75 mm
C	11,13 mm
Fw	25,4 mm
Weight	0,019 Kg
Size (mm)	25.4x31.75x11.13
Width (mm)	11,13
Bearing number	B-167
Bore Diameter (mm)	25,4
Outer Diameter (mm)	31,75
(Grease) Lubrication Speed	2800 r/min
Basic dynamic load rating (C)	14 kN
Basic static load rating (C0)	23,66 kN