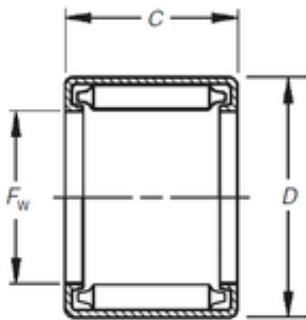


Bearing No. B-1516



D	30,163 mm
C	25,4 mm
F _w	23,813 mm
Weight	0,04 Kg
Size (mm)	23.813x30.163x25.4
Width (mm)	25,4
Bearing number	B-1516
Bore Diameter (mm)	23,813
Outer Diameter (mm)	30,163
(Grease) Lubrication Speed	3000 r/min
Basic dynamic load rating (C)	32,8 kN
Basic static load rating (C ₀)	69,39 kN