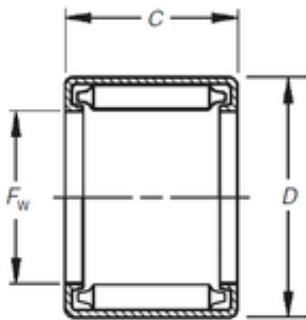


### Bearing No. B-1418



D	28,575 mm
C	28,58 mm
Fw	22,225 mm
Weight	0,043 Kg
Size (mm)	22.225x28.575x28.58
Width (mm)	28,58
Bearing number	B-1418
Bore Diameter (mm)	22,225
Outer Diameter (mm)	28,575
(Grease) Lubrication Speed	3100 r/min
Basic dynamic load rating (C)	35,2 kN
Basic static load rating (C0)	74,73 kN